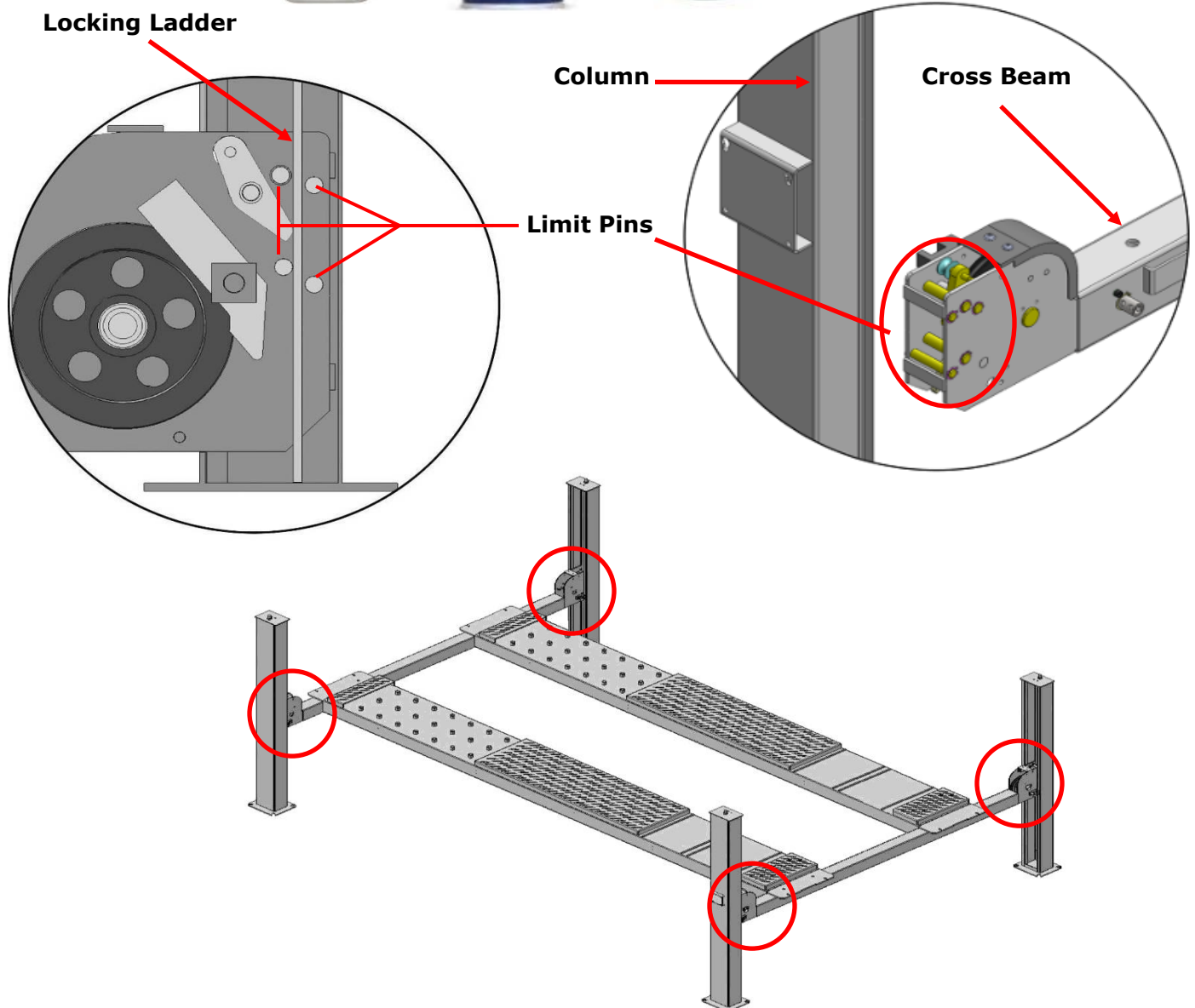


ATLAS 408-SL, 409, 412(A), 414(A) 4 Post Lift

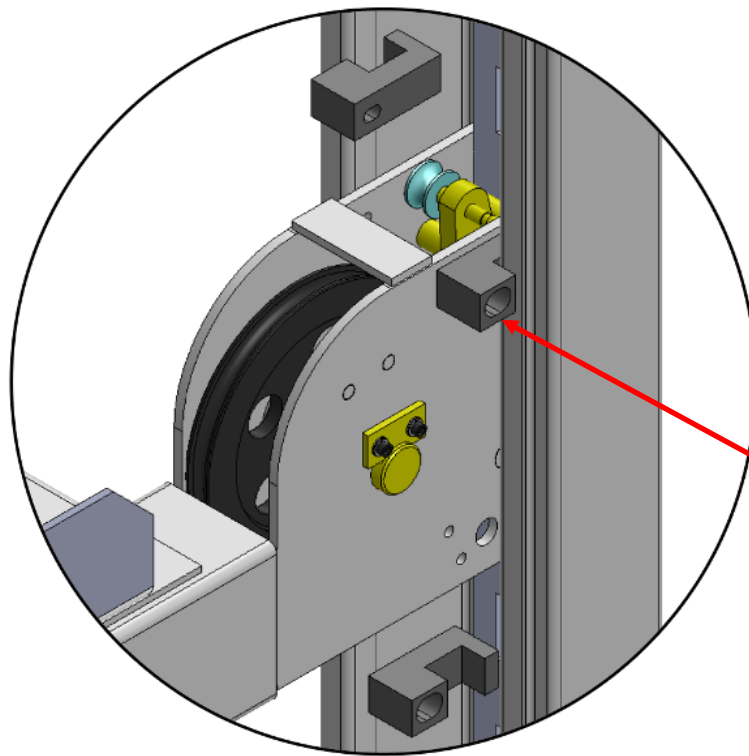
LITTLE SQUEAKS and TWEAKS

Before assembling the cross beams to the columns, take the time to lubricate the locking ladder limit pins with a quality lubricant. Apply the lubricant on all limit pins and where the limit pins insert through the cross beams.



SLIDER BLOCK ADJUSTMENT 408-SL & 409

Due to the unique engineering design of the columns and the slider blocks, do not tighten the bolts and lock nuts on the slider blocks. Just snug the bolts and locking nuts up and then back off the bolts and locking nuts about a half turn.



Slider Block

Snug it up and back
it off about a half
turn.