

Install Electrical System

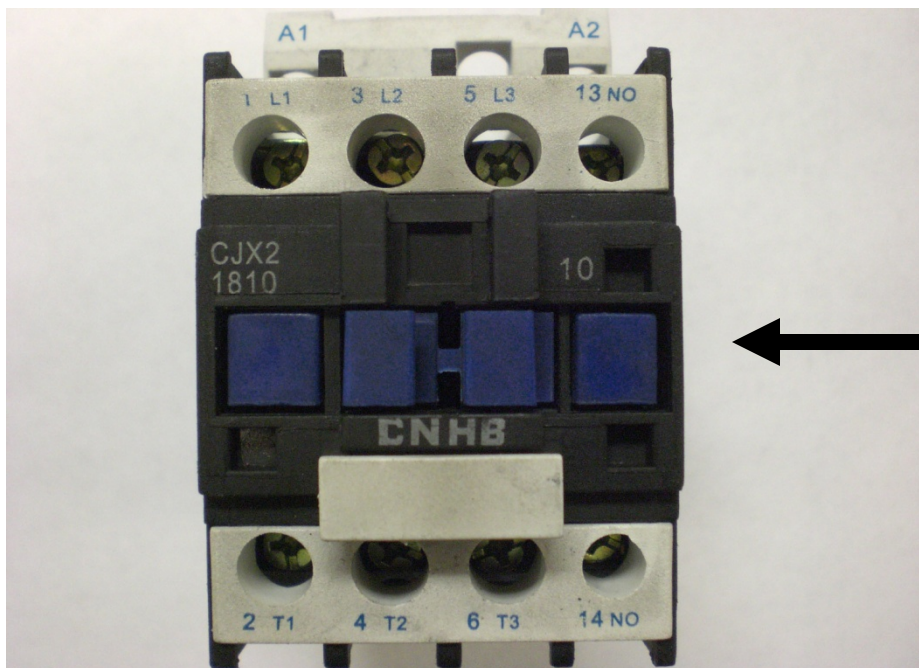
Connect the power source according to the data plate on the Power Unit.

Remove the short "Pig Tail" wire connected to the AC contactor terminals. This wire was used to test the motor after production.

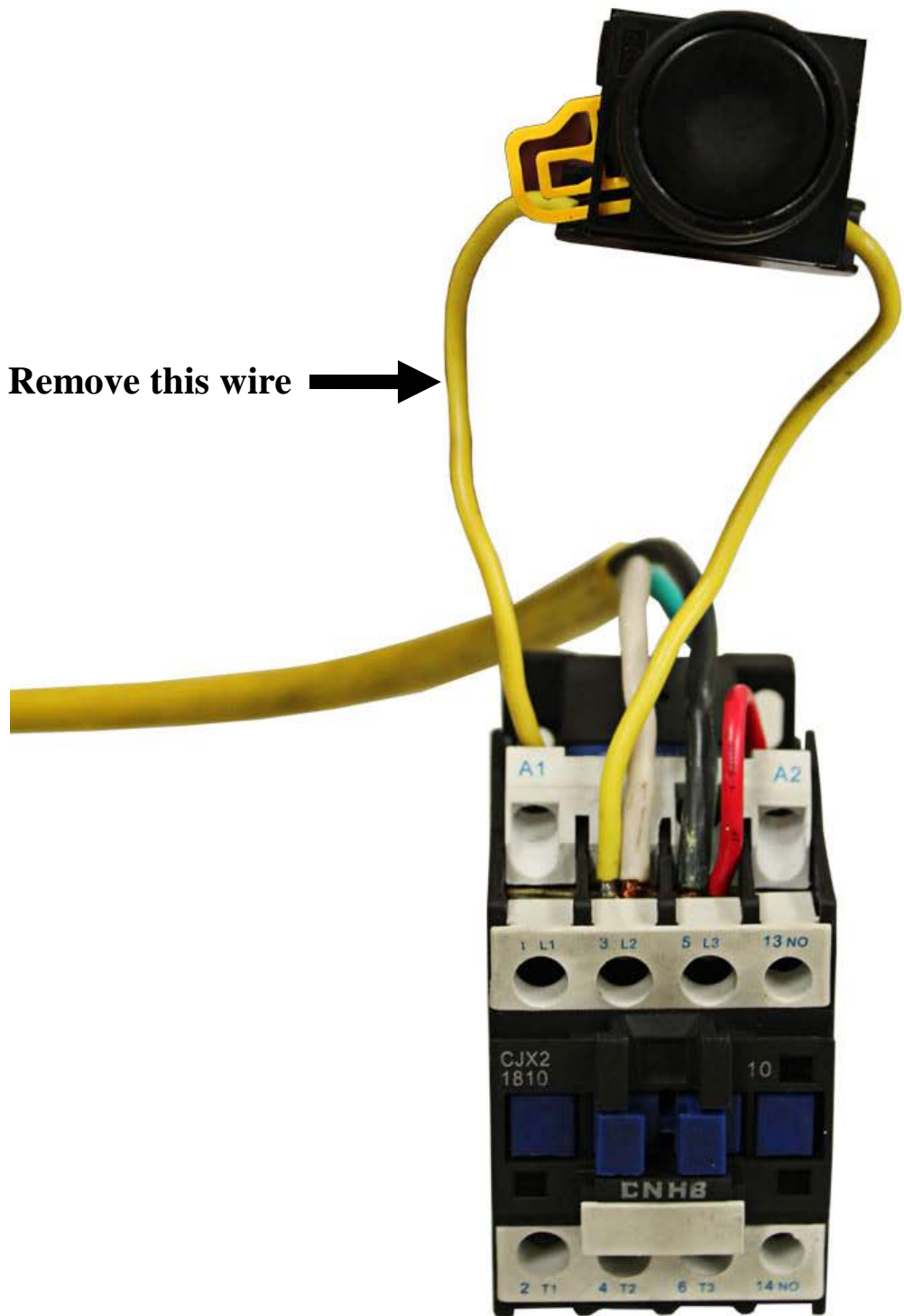
ATLAS Single phase motor

Please Note: This motor is powered by Alternating Current and the terminals on the AC contactor are not wire color specific. There are no positive or negative terminals.

1. Connect the two power supply (**incoming**) wires (**black & white**) to terminals on the AC contactor marked **L2 & L3**.
2. Connect the two motor wires to terminals on the AC contactor marked **T2, T3**. **These wires are already connected from the factory.**
3. Connect the short wire **A2** to **L3** on the AC contactor. **This wire is already connected from the factory.**
4. Remove the **entire** wire that connects from the **"UP" button** to **A1** on the AC contactor.
5. Connect one of the wires (**does not matter which one**) on the Limit Switch to the **"UP" button** and connect the remaining Limit Switch wire to terminal **A1** on the AC contactor.



← AC CONTACTOR



Remove this wire →

Limit Switch-Connect wires to 11 & 12 (NC) on the Limit Switch

