

Floor Plate Style Lift
And
Overhead Beam Style Lift
9,000 POUND
Two Post Lift

ASSEMBLY & OPERATION
INSTRUCTION

TABLE OF CONTENTS

Important Note	_____	Page 3
Definition	_____	Page 4
Preparation and General Information	_____	Page 5
Important Concrete and Anchoring Information	_____	Page 6
Installation and Basic Operation instruction	_____	Page 8
Safety procedures	_____	Page 10
Maintenance Schedule	_____	Page 11
Troubleshooting	_____	Page 13
Owners Responsibilities	_____	Page 14
General information	(Fig 1 and Fig 2) _____	Page 15
Lifting Pads engaging area	(Fig 3) _____	Page 17
Prepare concrete	(Fig 4) _____	Page 18
Up-Right Overhead Assembly	(Fig 5) _____	Page 19
Equalizing cable installation For Overhead Beam Type	(Fig 6) _____	Page 20
Equalizing cable installation For Floor Plate Type	(Fig 7) _____	Page 21
Hydraulic system assembling For Floor Plate Type	(Fig 8) _____	Page 22
Hydraulic system assembling For Overhead Beam Type	(Fig 9) _____	Page 23
Exploded Drawing	(Fig 11 – Fig 18) _____	Page 24
Parts List for Floor Plate and Overhead Beam Type	_____	Page 32

Important notes about your Lift...

- Do not install this lift on any asphalt surface.
- Do not install this unit on any surface other than concrete conforming to minimum specifications.
- Do not install this lift over expansion joints or cracks. Check with building architect.
- Do not install this lift on a second floor with a basement beneath without written authorization from building architect.
- This lift is only as good as the floor you put it on. A good level floor is recommended for proper lift operation and installation. Cement should be minimum of 4" thick and 3,000 psi tensile strength with steel or fiber mesh reinforcement.
- The lift is intended to raise the entire body of the vehicle only. Do not attempt to lift only part of the vehicle. Improper use of this equipment could result in damage to the lift, yourself or other property.
- The lift is intended to lift vehicles only. It is not designed to lift any person or equipment containing persons.
- All persons using this equipment should be qualified, responsible persons and should follow the operation and safety guidelines set forth in this manual.

Improper installation can cause damage or injury. Manufacturer will assume no liability for loss or damage of any kind, expressed or implied, resulting from improper installation or use of this product. Read the installation and operation manual in its entirety before attempting to in

DEFINITION

The following types of lifts are 2-Column Hydraulic, Leaf chain driven.

The name/model numbers are designated below:

Floor Plate Lift

Overhead Lift

2-Column Overhead Beam Lift type, 9000lbs. Capacity, Asymmetric Swing Arm set up.

This lift is a 9000 lb. capacity, 2-Post Lift with a latch system. The safety latch is in contact with the latch rack as the lift ascends and drops into place. The safety latch engages in rack at 3" increments beginning about 16" from the ground. The latch must be manually disengaged for the lift to descend. The latch is released by raising the latch up off the latch rack and pulling the release cable. Once the raise button is pressed, the latch will automatically re-engage after approximately 3" of travel. Heavy bearings and heavy-duty leaf chains are used throughout the lift. The work is done with the heavy-duty chain connected to a 2 1/2" cylinder, driven by a hydraulic pump capable of providing 3,000psi.

Please read the Safety Procedures and Operation Instructions in this manual before operating and installing the lift. Proper installation is very important. To minimize the chance of making an error in installation, please read this manual through carefully before beginning installation. Check with building owner and/or an engineer when applicable. The lift should be located on a relatively level floor 4" thick and 3,000psi concrete sufficiently cured.

This is a vehicle lift installation/operation manual and no attempt is made or implied herein to instruct the user in lifting methods particular to an individual application. Rather, the contents of this manual are intended as a basis for operation and maintenance of the unit as it stands alone or as it is intended and anticipated to be used in conjunction with other equipment.

Proper application of the equipment described herein is limited to the parameters detailed in the specifications and the uses set forth in the descriptive passages. Any other proposed application of this equipment should be documented and submitted in writing to the distributor for examination. The user assumes full responsibility for any equipment damage, personal injury or alteration of the equipment described in this manual or any subsequent damages.

PREPARATION

The installation of this lift is relatively simple and can be accomplished by 2 people in a few hours. The following tools and equipment are needed:

- 12 quarts of Non-Detergent Hydraulic Oil SAE-10 AW 32 or other good grade
- Chalk line and 12' Tape measure
- Rotary Hammer Drill with 3/4" Drill Bit. Core Drill ReBar Cutter recommended
- 4' Level
- Sockets and Open Wrench set, 1/2" thru 1-1/2" (1-1/8" for 3/4" Anchors)
- Vise Grips

GENERAL INFORMATION

1. Identify the components and check for shortages. If shortages are discovered, contact us immediately. Save the shipping bolts for use in the installation.
2. Lift location-check with building owner and /or an engineer when applicable. The lift should be located on a relatively level floor 4" thick and 3,000psi concrete sufficiently cured with no cracks within 38" and no seams within 6" of the base plate. Remember any structure is only as strong as its foundation.

Check for ceiling clearance- lifting height plus vehicle height if installing the Floor Plate Style Lift. Check for clearance in the front and rear of vehicle when on lift.

Basic Specification

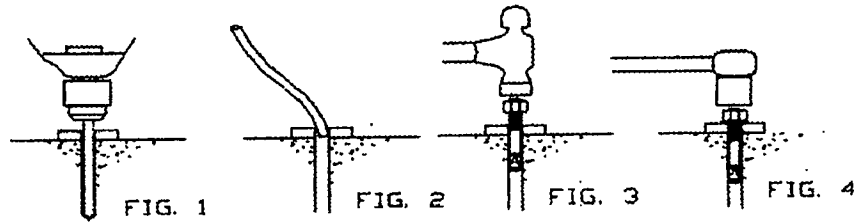
Description	Capacity	Lifting Time	Overall Height	Overall Width	Between Posts
Floor Plate Style/ Asymmetric	9000lbs	50 Sec	111"	134.63"	110"
Overhead Beam Style/ Asymmetric	9000lbs	50 Sec	142"	134.63"	110"

Please also read the general information about this lift shown of Figure 1 for Floor Plate Style, Figure 2 for Overhead Beam Style and Figure 3 for Asymmetric type.

IMPORTANT CONCRETE AND ANCHORING INFORMATION

1. Concrete shall have compression strength of at least 3,000psi and a minimum thickness of 4" in order to achieve a minimum anchor depth of 3 1/2". If the top of the anchor exceeds 2" above the floor grade, you **DO NOT** have enough depth.
2. Use holes in column base plate as a guide before drilling the 3/4" diameter holes in the concrete floor. Make sure the hole distance from the edge is not less than 6". Hole depth should be a minimum of 4", it is recommended to drive through the 4" concrete, unless you have a high water table.
3. **CAUTION: DO NOT** install on asphalt or other similar unstable surface. Columns are supported only by anchoring into the floor.
4. Shim each column base until each column is plumb. If one column has to be elevated to match the plane of the other column, then full-size base shim plates should be used (Reference Shim Kit) torque anchors to 130 ft-lbs. Shim thickness **MUST NOT** exceed 3/8" when using the 5 1/2" long anchor provided with the lift. Adjust the column extensions plumb.
5. If anchors do not tighten to 130 ft-lbs installation torque, then replace concrete under each column base with a 4'X4'X6" thick 3,000psi minimum concrete pad keyed under and flush with the top of existing floor. Let concrete cure before installing lifts and anchors.

ANCHORING TIP SHEET



Anchors must be at least 6" from the edge of the slab or any seam.

1. Use a concrete hammer and a drill, a solid drill bit with a carbide tip, the same diameter as the anchor, 5/8". Do not use excessively worn bits or bits that have been incorrectly sharpened.
2. Keep the drill perpendicular.
3. Let the drill do the work. Do not apply excessive pressure. Lift the drill up and down occasionally to remove residue and reduce binding.
4. Drill the hole to depth equal to length of anchor.
5. For better holding power, blow dust from the hole.
6. Place a flat washer and hex nut over threaded end of anchor, leaving the nut flush with the top of the bolt. Carefully tap anchor into hole. Do not damage threads. Tap anchor into the concrete until nut and flat washer are against base plate. Do not use an impact wrench to tighten. Tighten the nut with two or three turns on average after the concrete has cured. If the concrete is very hard, only one or two turns may be required.

INSTALLATION INSTRUCTION FOR FLOOR PLATE STYLE AND OVERHEAD BEAM STYLE 2-COLUMN HYDRAULIC LIFTS

PLEASE READ THIS INSTRUCTION BEFORE STARTING TO INSTALL THE LIFT

STEP 1:

After unloading the lift, place it near the installation location.

STEP 2:

Remove the shipping bands and packing materials from the unit.

STEP 3:

Remove the packing brackets and bolts holding the two columns together. **Do not discard bolts, they are used in the assembly of the lift.**

STEP 4:

Once the power unit column location is decided, insure that the proper lift placement is observed from walls and obstacles. Also, check the ceiling height for clearance in this location. Note the power unit column can be located on either side. It is helpful to try to locate it on the lift to save steps during operation.

STEP 5: **Figure 5 Page 19**

Assemble the uprights to the columns on model Overhead Beam Style Lift (the Floor Plate Style Lift does not have uprights.). Raise the columns to a vertical position.

STEP 6:

Position the columns facing each other 134" outside base plates.

STEP 7: **Figure 4 Page 18**

Using a 3/4" concrete drill, drill the anchor holes in the main side column, installing anchors as you go. Use a block of wood or rubber mallet to drive anchor bolts in. Drill to a minimum depth of 4" to insure maximum holding power. Drilling through concrete (recommended) will allow the anchor to be driven thru the bottom if the threads are damaged.

STEP 8:

Check to make sure side-to-side and front-to-back are level. Use 3/4 " washers or shim stock, placing shims as close as possible to the hole locations. This will prevent bending the column bottom plates. Tighten the 3/4" anchor bolts to 130 ft-lbs. of torque.

STEP 9: **Figure 5 Page 19**

Using a tape measure, measure from back corner of the base on main side column to the opposites back corner of the offside column to insure legs are square. **Using the**

dimensions, install overhead beam to top of columns BEFORE drilling anchors for offside column to insure column level.

STEP 10:

After overhead beam is assembled drill and anchor offside column as described in steps 7 and 8.

STEP 11: **Figure 6 Page 20**

Install the equalizing cables: Refer to figure for general cable arrangement for both Floor Plate Style and Overhead Beam Style Lifts. Set carriages on the first safety latch engagement. Be sure each carriage is at the same height by measuring from the top of the base to the bottom of the carriage. Double check the latches before working under the carriages. This dimension should be within 1/4" Run first cable as in Figure 6. Tighten nut on one cable stud so that the end of stud passes the nylon on the nut. Pull the other end of cable and run nut on it; tighten both nuts. Repeat above for second cable.

STEP 12: **Figure 8-9 Pages 22-23**

Install the cylinders: put one cylinder into each carriage by sliding it all the way down through the top of the cylinder mount at column base. Make sure the "Tip" on the bottom of the cylinder will fit into the center hole on top of the cylinder mount in base. Pull the pre-attached leaf chain in both sides up and over the chain sheave on top of the cylinders. Refer to Figure 8 for Floor Plate Style Lift and Figure 9 for Overhead Beam Style Lift.

STEP 13: **Figure 8-9 Pages 22-23**

Connecting the hydraulic hoses: as shown on Figure 8 for Floor Plate Style Lift and Figure 9 for Overhead Beam Style Lift.

STEP 14: **Figure 9 Page 23**

Mount the power unit on lift as Figure 9.

STEP 15:

Installing cut off cable: Take the 2- eye bolts included in the parts box and install them in the holes located in the front of each upright about 6" from the top. Install a nut, and lock washer on either side, to make them secure.

Starting on the left side (offside), attach the 1/16" cable to the eye bolt located near the top of the left side upright using the small aluminum ferrules. Loop the cable through the ferrule, then through the eye of the bolt and back through the ferrule. Crimp the ferrule to hold the cable. Pass the cable through the eye bolt on the right side (main side) and down to the power unit. Loop the cable through the eye on the cutoff switch post, located on top of the upswitch junction box, secure with ferrule. Make it as tight as you can without tripping the cutoff switch.

STEP 16: **Figure 4 Page 18**

For Floor Plate Style Lift, mount the floor plate as Figure 4.

STEP 17:

Install the swing arms on the carriages using the included 1 1/2" diameter pins. Check to make sure the rack on the lock should fully engage with the gear on the arm.

STEP 18:

Adjust the carriage cables tension: adjust each cable to approximately 1/2" side-to-side play. Check the latch releases to insure the carriage is still sitting on the appropriate latch.

STEP 19:

Remove the vent plug from the power unit and fill the reservoir. Use a Ten Weight (SAE-10) non-foaming, non-detergent hydraulic fluid. The unit holds approximately twelve quarts.

STEP 20:

Make the Electrical hookup to the 220V Single Phase Power Unit. It is recommended that a 220 Volt, 30amp twist lock plug be installed in the power line just ahead of the power unit's size wire for a 30amp circuit.

Warning-the wiring must comply with local code. Have a certified electrician make the electrical hook-up to the power unit. Protect each circuit with time delay fuse or circuit breaker 208V-230V single Phase 60Hz 30amp. Motor cannot run on 50Hz without a physical change to motor.

ATTENTION: IF 380V POWER UNIT APPLIES, PLEASE ADJUST AND USE RELATIVE TWIST LOCK AND TIME DELAY FUSE OR CIRCUIT BREAKER ACCORDINGLY!

STEP 21:

Do not place any vehicle on the lift at this time. Cycle the lift up and down several times to insure latches click together and all air is removed from the system. To lower the lift, both latch releases must be manually released. Latches will automatically reset once the lift ascends approximately 17" from base. If latches click out of sync, tighten the cable on the one that clicks first.

RAISE THE LIFT

Press button on power unit. The latch mechanism will 'trip over' when the lift raises and drops into each latch stop. But, to lock the lift you must press the Lower level to relieve the hydraulic pressure and let the latch set tight in a lock position.

Always lock the lift before going under the vehicle. Never allow anyone to go under the lift when raising or lowering. Read the safety procedures in the manual.

Note: It is normal for an empty lift to lower slowly-it may be necessary to add weight.

LOWER THE LIFT

1. Raise the lift until the latch clears.
2. Pull both latch releases.

WARNING ALWAYS RELEASE BOTH SIDES

3. Press the lever at the power unit to lower the lift.

SAFETY PROCEDURES

- Never allow an unauthorized person to operate lift. Thoroughly train new employees in the use and care of the lift.
- Caution-the power unit operates at high pressure.
- Remove passengers before raising vehicle.
- Prohibit unauthorized people from being in shop area while lift is in use.
- Total lift capacity is 9000lbs with 2500lbs per arm pad.
- Prior to lifting vehicle, walk around the lift and check for any objects that might interfere with the operation of: lift, safety latches, tools, air hoses or shop equipment.
- When approaching the lift with a vehicle, center the vehicle between the columns so that the tires will clear the swing arms easily. Slowly drive the vehicle up between the posts. Have someone outside the vehicle guide the driver.
- Always lift vehicle using all four arms.
- Never use lift to raise one end or one side of vehicle.
- Raise vehicles about 3' and check stability by rocking.
- Prior to lowering vehicle, walk around the lift and check for any objects that might interfere with the operation of lift, safety latches, tools, air hoses or shop equipment. Swing the arms out of the path and slowly drive the vehicle out. Have someone outside the vehicle guide the driver.

**ALWAYS LOCK THE LIFT BEFORE GOING UNDER THE VEHICLE.
NEVER ALLOW ANYONE TO GO UNDER THE LIFT WHEN RAISING OR
LOWERING.**

MAINTENANCE SCHEDULE

The following periodic maintenance is the suggested minimum requirements and minimum intervals of accumulated hours or monthly period, which ever comes sooner. If you hear a noise or see any indication of impending failure – **then cease operation immediately** – and inspect, correct and/or replace parts as required.

IT IS IMPORTANT TO INSPECT LIFTING EQUIPMENT AT THE START OF EVERY SHIFT. THESE AND OTHER PERIODIC INSPECTIONS ARE THE RESPONSIBILITY OF THE USER.

DAILY PRE-OPERATION CHECK (8 HOURS)

The user should perform daily check. **ATTENTION!** Daily check of safety latch system is very important and the discovery of device failure before needed could save you from expensive property damage, lost production time, serious personal injury or even death.

- Check safety lock audibly and visually while in operation.
- Check safety latches for free movement and full engagement with rack.
- Check hydraulic connections and hoses for leakage.
- Check chain connections for bends, cracks and looseness.
- Check cables connections for bends, cracks and looseness.
- Check for frayed cables in both raised and lowered position.
- Check snap rings at each roller and sheave.
- Check bolts, nut and screws. Tighten if needed.
- Check wiring and switches for damage.
- Keep base plate free of dirt, grease or any other corrosive substances.
- Check floor for stress cracks near anchor bolts.
- Check swing arm restraints.

WEEKLY MAINTENANCE (40 HOURS)

- Check anchor bolts torque to 130 ft-lbs for the 3/4 " anchor bolts.
Do not use impact wrench.
- Check floor for stress cracks near anchor bolts.
- Check hydraulic oil level.
- Check and tighten bolts, nuts and screws.
- Check cylinder pulley assembly for free movement or excessive wear on cylinder yoke or pulley pin.
- Check cable pulley for free movement and excessive wear.

YEARLY MAINTENANCE

- Lubricate chain.
- Grease rub blocks and column surface contacting rub blocks.
- Change the hydraulic fluid. Good maintenance procedure makes it mandatory to keep hydraulic fluid clean. Due to operating temperature, type of service, contamination levels, filtration and chemical composition of fluid, the hydraulic fluid may need to be changed more or less frequently. If operating in dusty

environment shorter interval may be required.

The following items should only be performed by a trained maintenance expert.

- Replace hydraulic hoses.
- Replace chains and rollers.
- Replace cables and sheaves.
- Replace or rebuild air and hydraulic cylinders as required.
- Replace or rebuild pumps/motors as required.
- Check hydraulic and air cylinder rod and rod end (threads) for deformation or damage.
- Check cylinder mount for looseness and damage.

Relocating or changing components may cause problems. Each component in the system must be compatible; an undersized or restricted line will cause a drop in pressure. All valve, pump and hose connections should be sealed and/or capped until just prior to use. Air hoses can be used to clean fittings and other components. However, the air supply must be filtered and dry to prevent contamination. **NOTE:** Contamination is the most frequent cause of malfunction or hydraulic equipment.

TROUBLE SHOOTING

1. Motor does not run:
 - A. Breaker or fuse is blown.
 - B. Motor thermal overload tripped. Wait for overload to cool.
 - C. Faulty wiring connections. Call electrician.
 - D. Defective up button. Call electrician for checking.

2. Motor runs but will not raise:
 - A. A piece of trash is under check valve. Push the handle down and the up button at the same time. Hold for 10-15 seconds. This should flush the system.
 - B. Check the clearance between the plunger valve of the lowering handle. There should be 1/16 " clearance.
 - C. Remove the check valve cover and clean ball and seat.
 - D. Oil level should be just under the vent cap port when the lift is down.

3. Oil blows out breather of power unit:
 - A. Oil reservoir overfilled.
 - B. Lift lowered too quickly while under a heavy load.
 - C. Return tube is loose or disconnected.

4. Motor hums and will not run:
 - A. Impeller fan cover is dented. Take off and straighten.
 - B. Faulty wiring. Call electrician
 - C. Bad capacitor. Call electrician
 - D. Low voltage. Call electrician
 - E. Lift overloaded. Reduce load.

5. Lift jerks going up and down: air in hydraulic system. Raise lift all the way to the top and return to floor. Repeat 4-6 times. Do not let this overheat power unit.

6. Oil leaks:
 - A. Power unit: If the power unit leaks hydraulic oil around the tank mounting flange then check the oil level in the tank. The level should be two inches below the flange of the tank. Check with a screwdriver.
 - B. Rod end of cylinder: If the rod seal of the cylinder is leaking, then rebuild or replace the cylinder.
 - C. Breather end of the cylinder: If the piston seal of the cylinder is leaking, then rebuild or replace the cylinder.

7. Lift makes excessive noise:
 - A. Leg of the lift is dry and requires grease.
 - B. Cylinder pulley assembly or cable pulley assembly is not moving freely.
 - C. Pins or cylinder yoke may have excessive wear.

OWNER / EMPLOYER RESPONSIBILITIES

The Owner/Employer:

- Shall establish procedures to periodically maintain, inspect and care for the lift in accordance with the manufactures recommended procedures to ensure continued safe operations.

- Shall provide necessary lockout / tag outs of energy sources per ANSIZ244.1 –1982 before beginning any lift repairs.

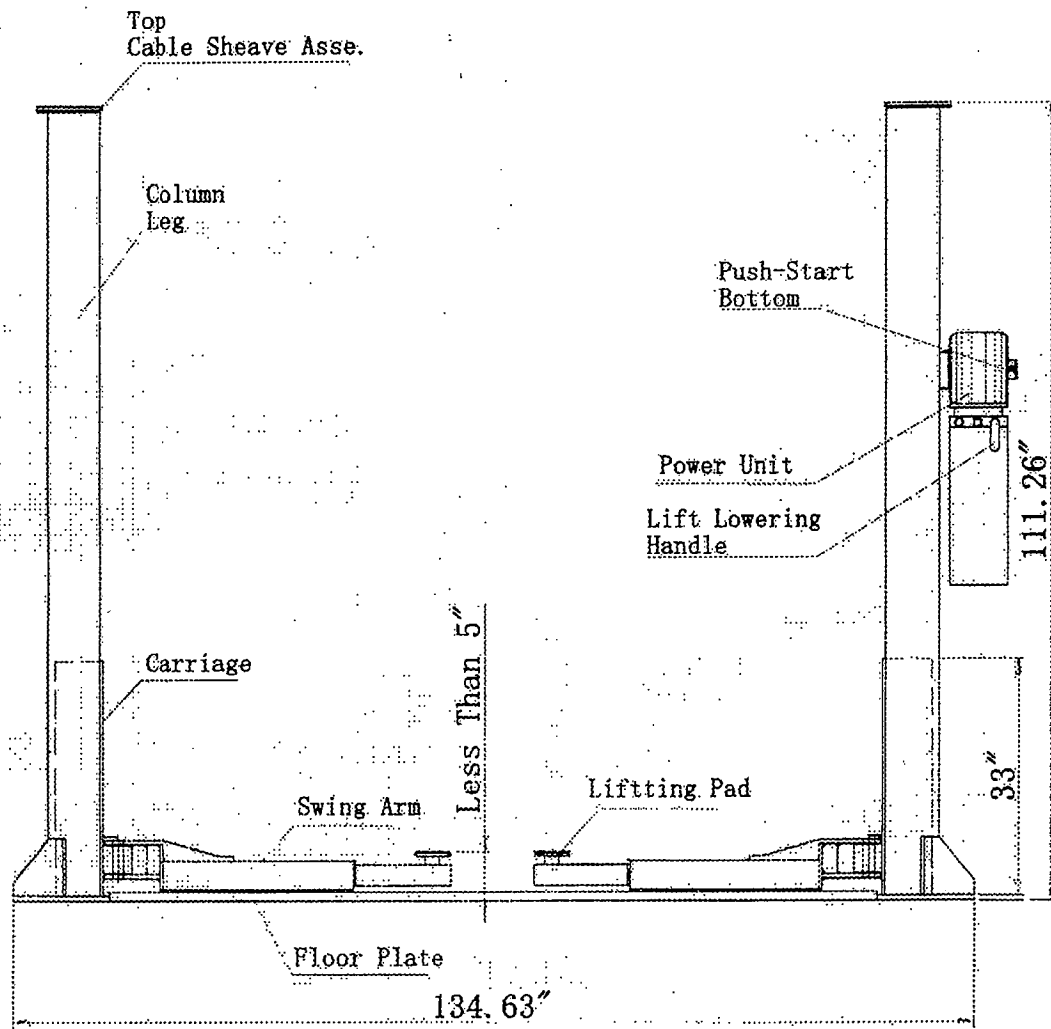
- Shall not modify the lift in any manner without prior written consent of the manufacturer.

- Shall display the operating instructions and “Lifting It Right: and Safety Tips” supplied with the lift in a conspicuous location in the lift area convenient to the operator.

- Shall ensure that lift operators are instructed in the proper and safe use and operation of the lift using the manufacturer’s instructions and “Lift It Right: and Safety Tips” supplied with the lift.

INSTALLATION INSTRUCTION Fig 1

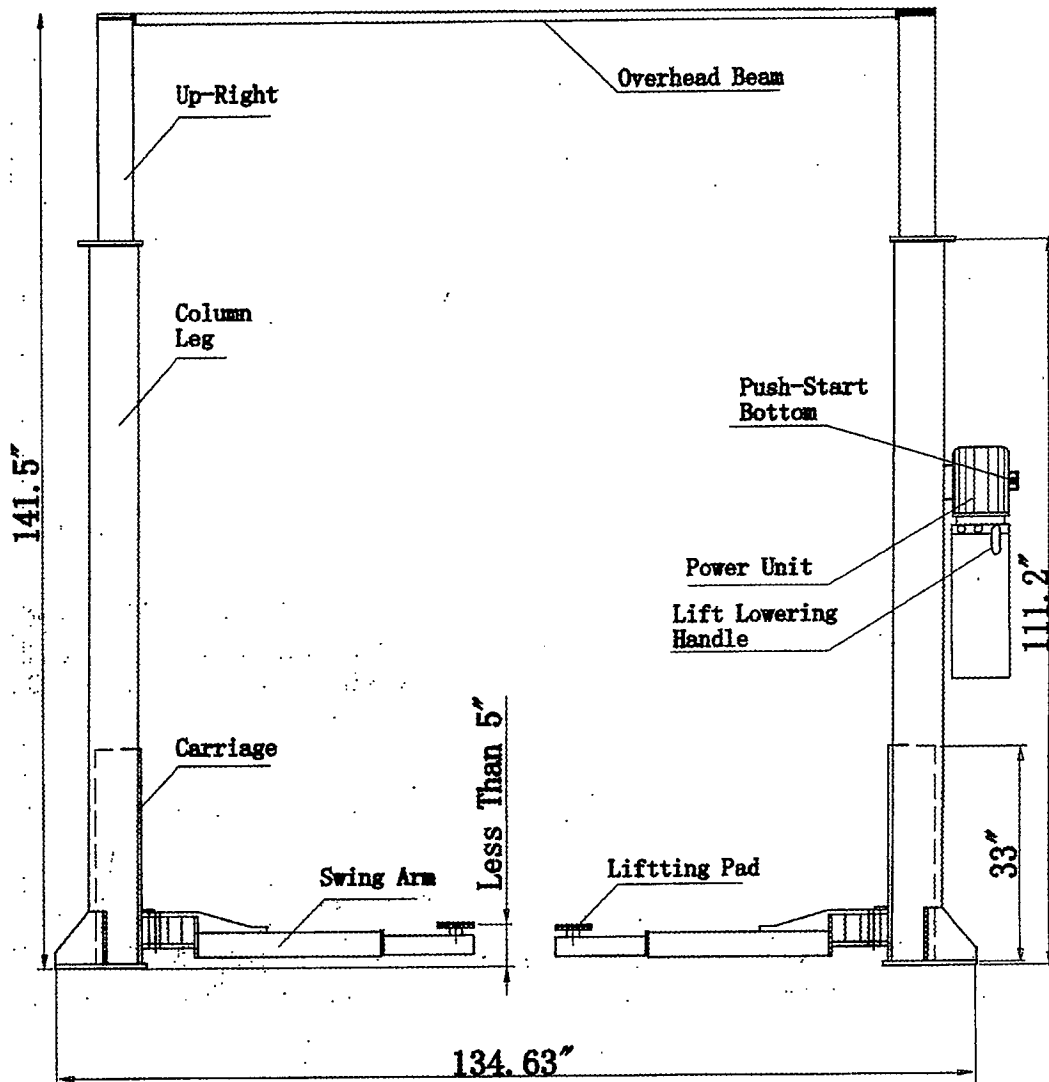
For Floor Plate Lift



INSTALLATION INSTRUCTION Fig 2

For Overhead Lift

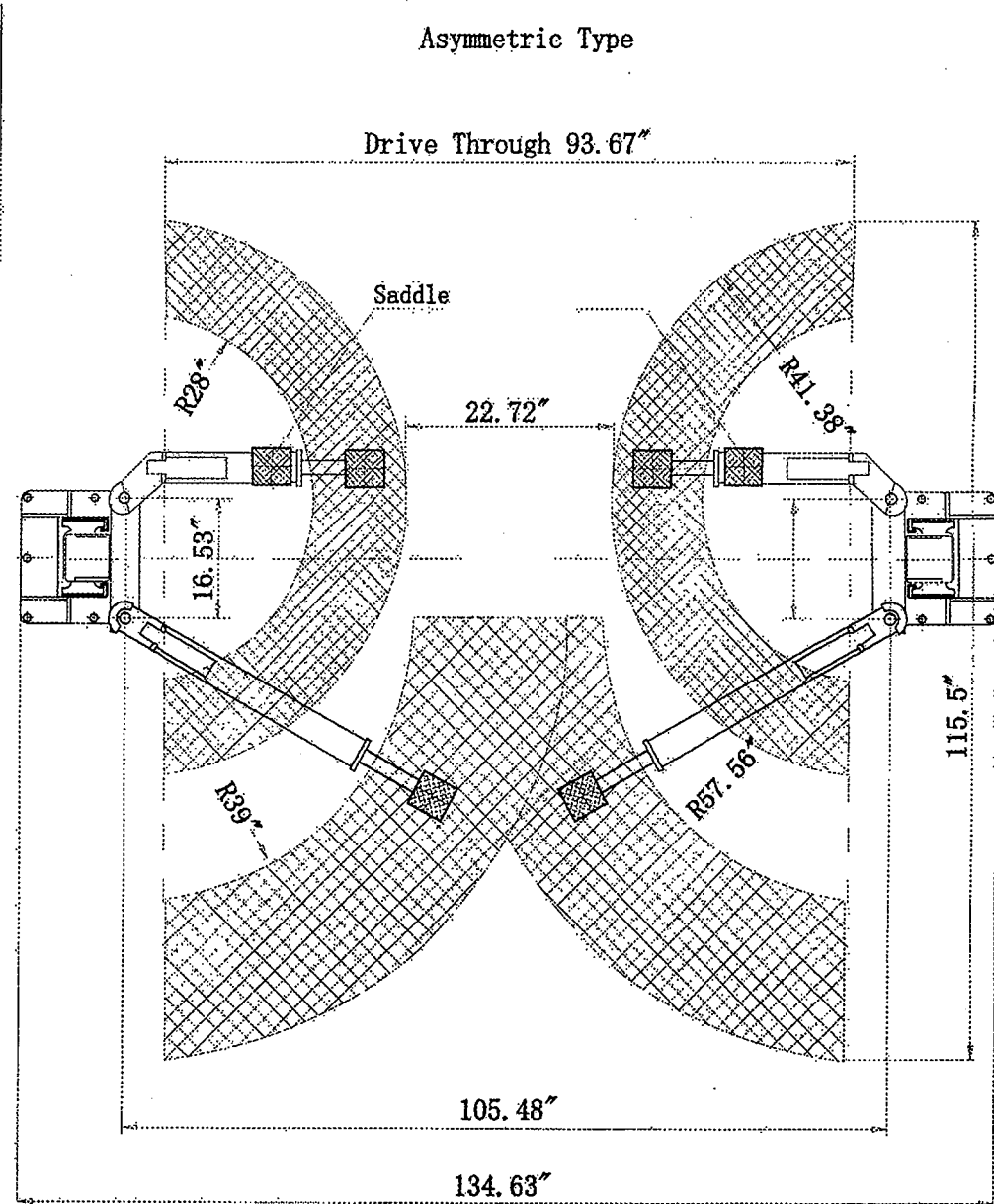
Clear Floor Type (Overhead Beam)



INSTALLATION INSTRUCTION

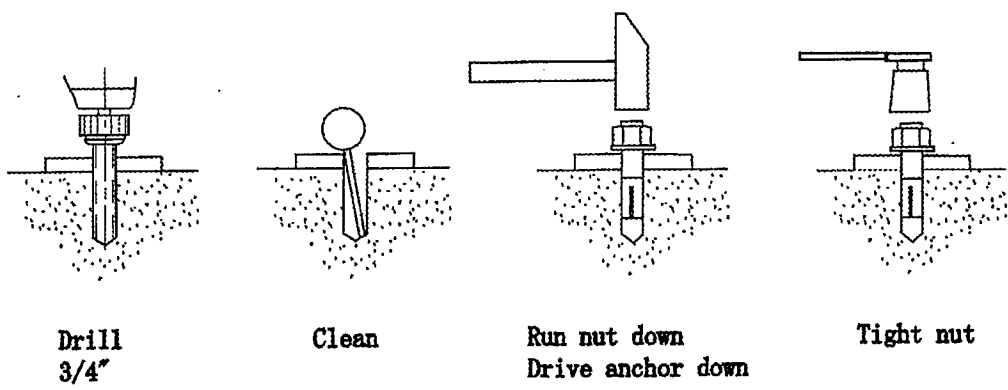
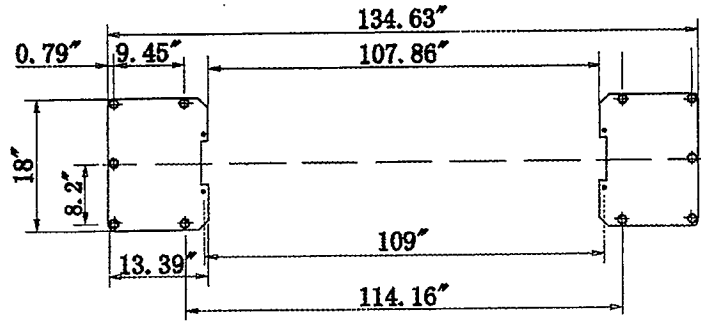
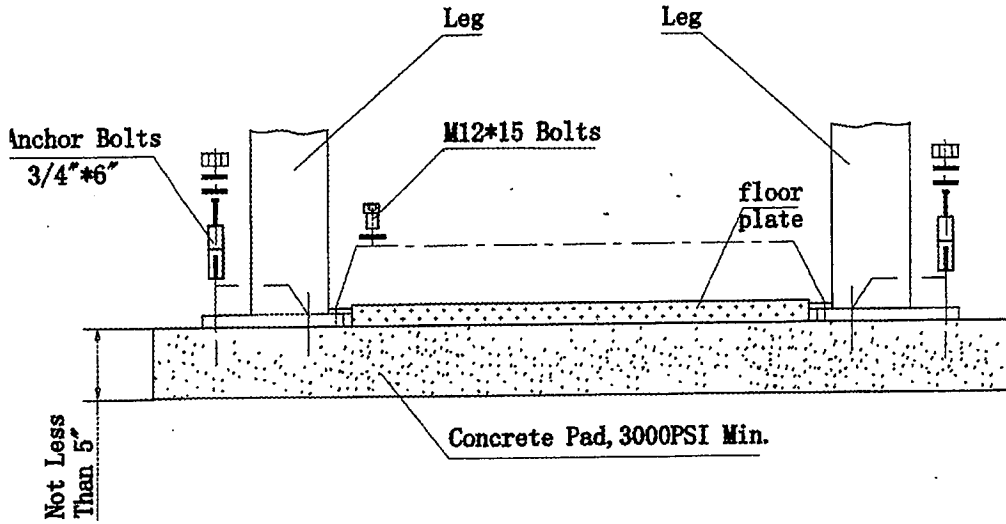
Fig 3

Asymmetric Type



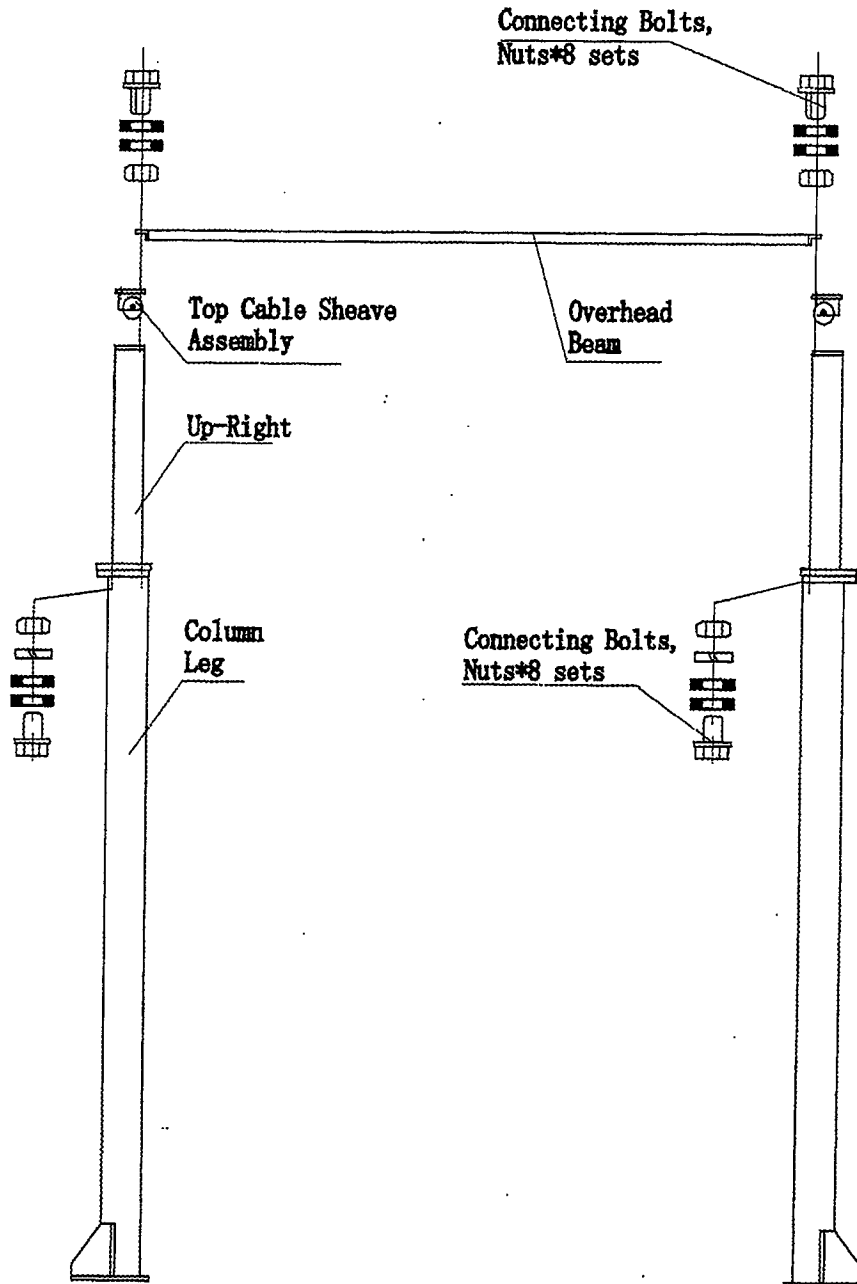
INSTALLATION INSTRUCTION Fig 4

Prepare Concrete



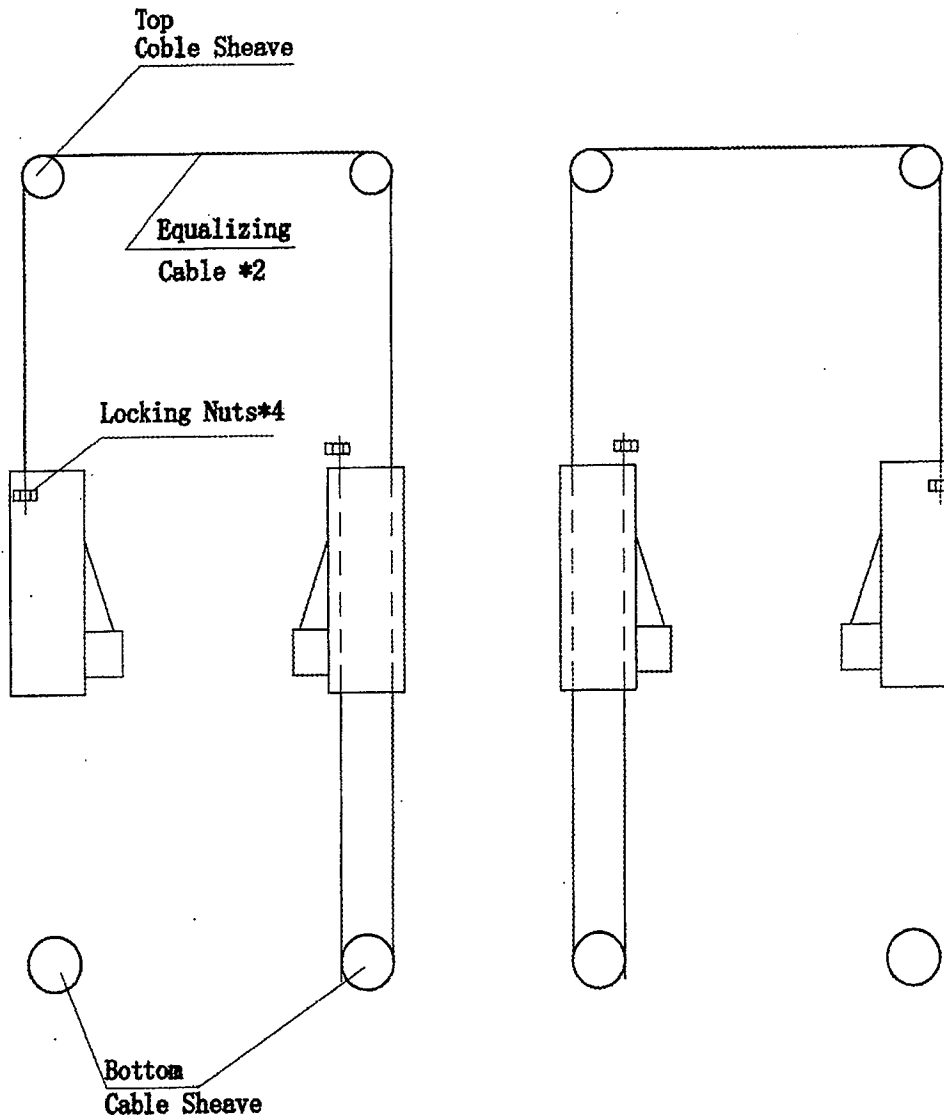
INSTALLATION INSTRUCTION Fig 5

Upright, Overhead Beam Assembly



INSTALLATION INSTRUCTION Fig 6

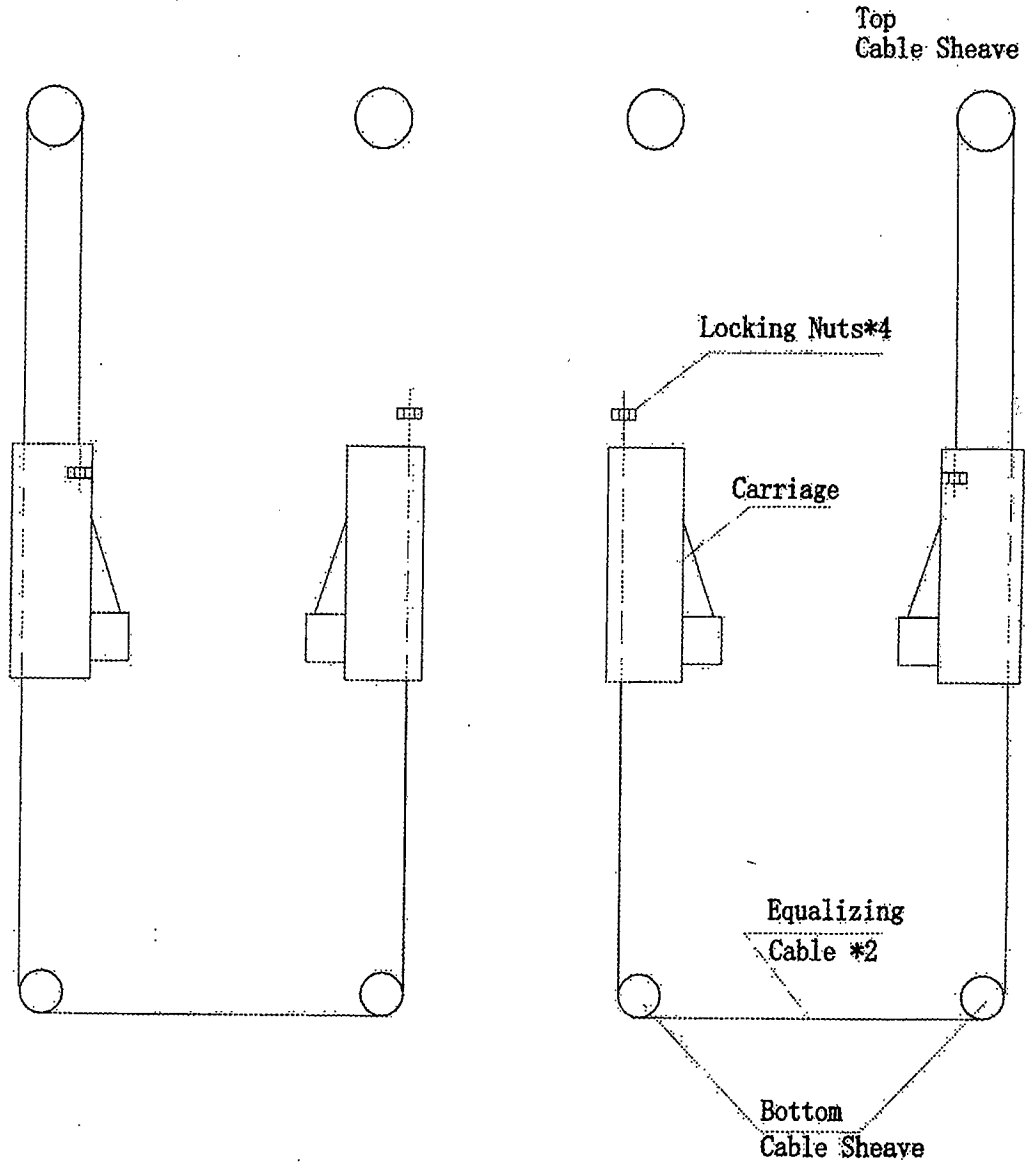
Equalizing Cable Installation – Overhead Beam Type



Note: Always try to keep two cables in same tension

INSTALLATION INSTRUCTION Fig 7

Equalizing Cable Installation – Floor Plate Type



INSTALLATION INSTRUCTION Fig 8
Hydraulic System Assembly – Floor Plate Type

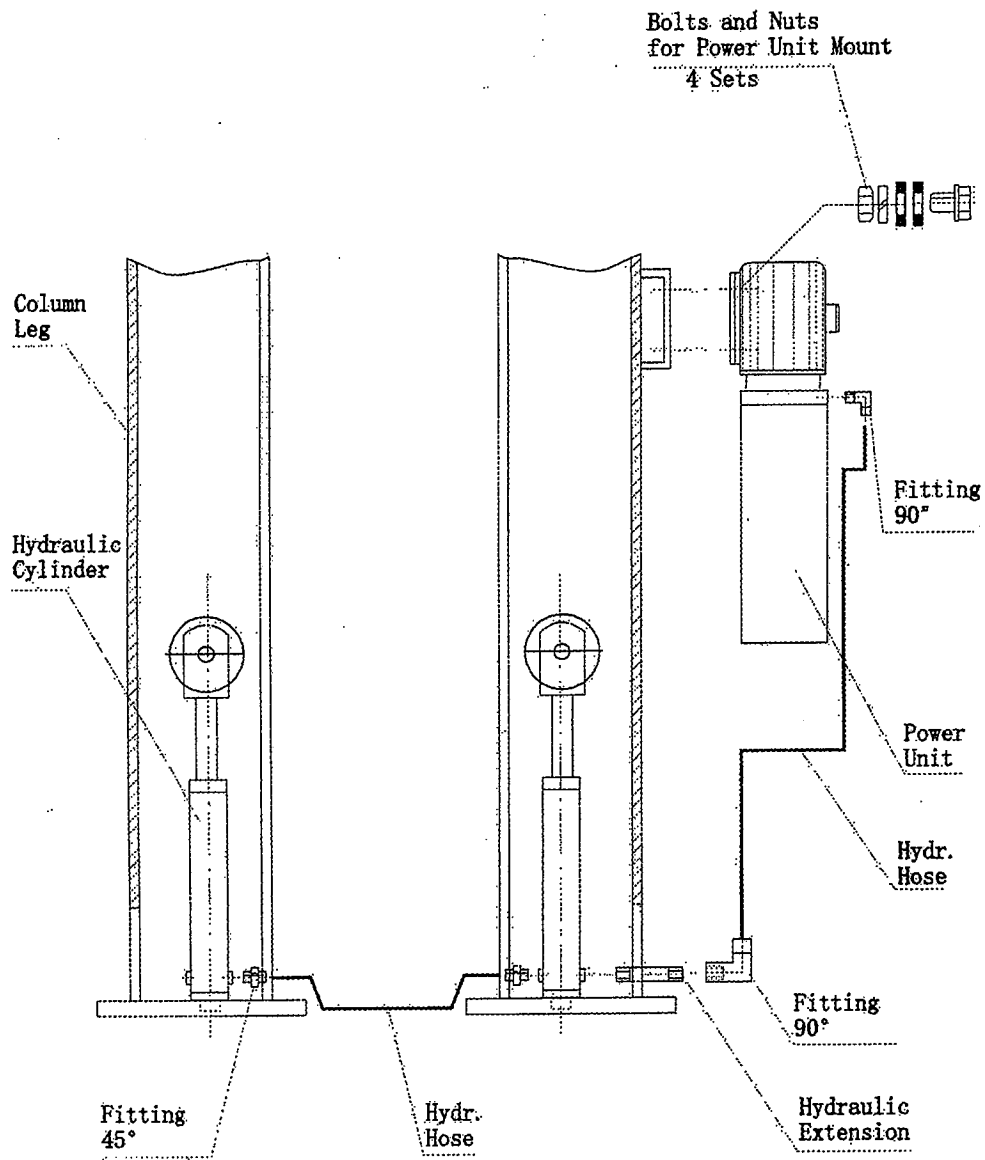


Fig. 11 Overhead Lift

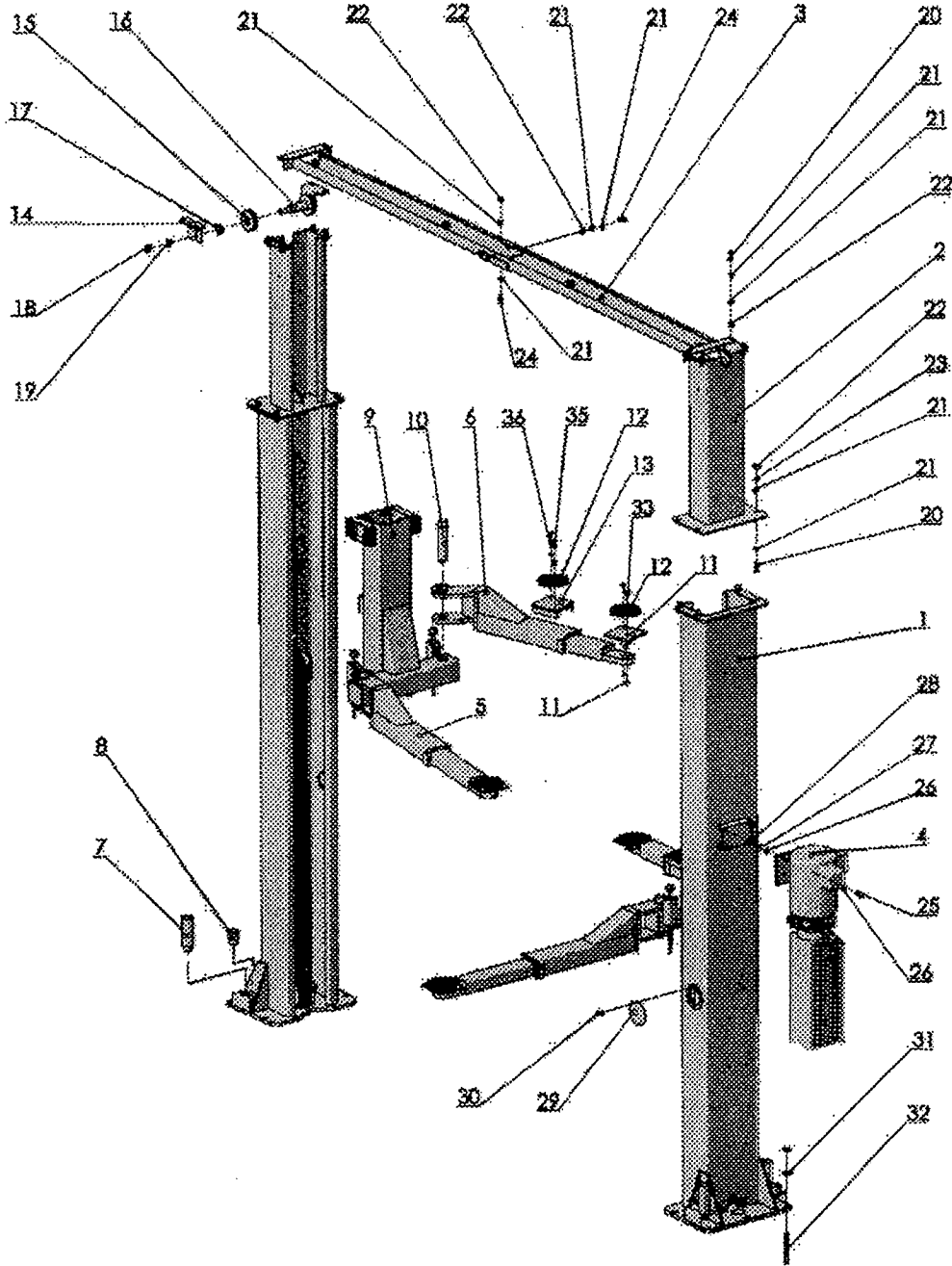


Fig. 12 Overhead Lift

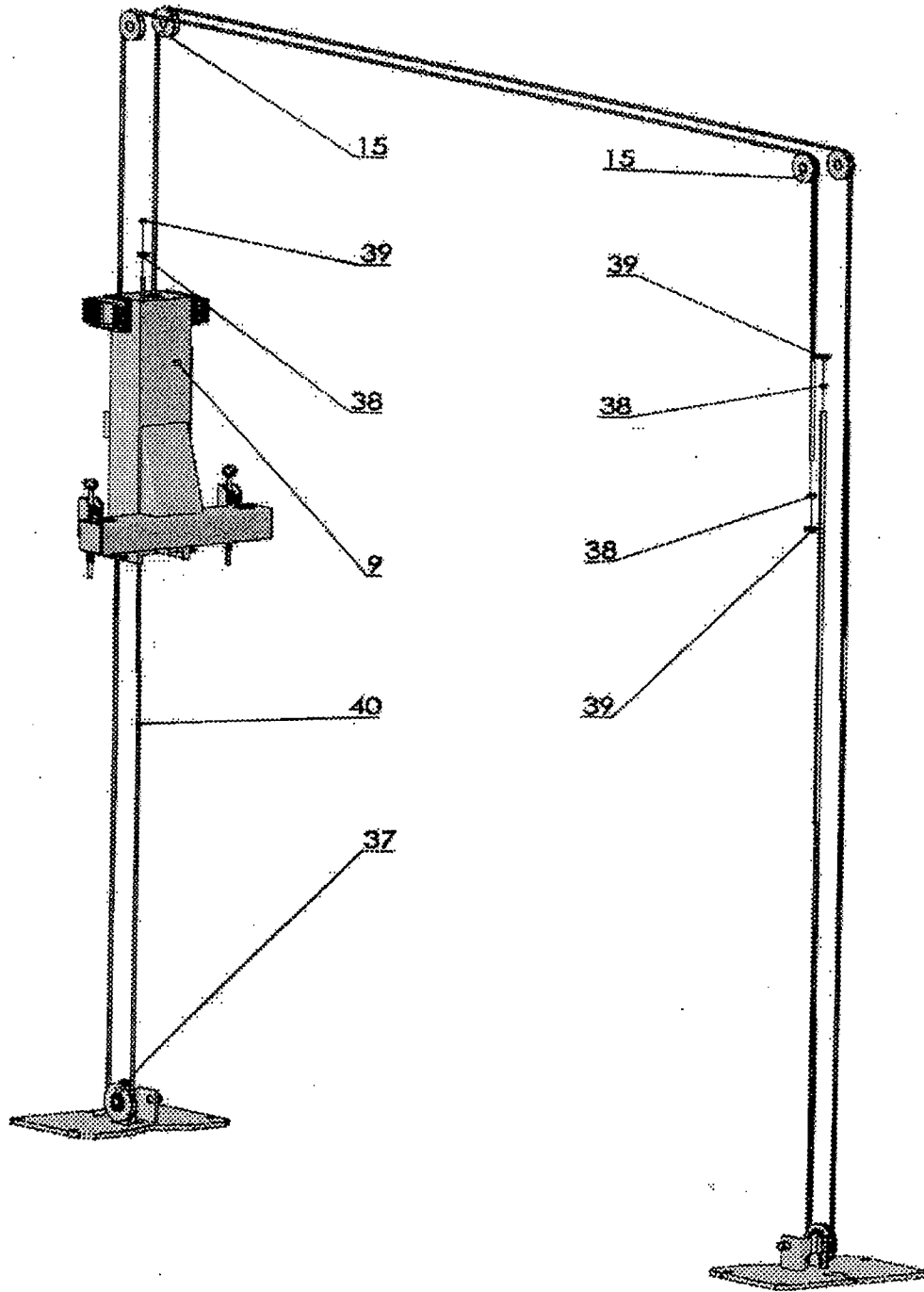


Fig. 13 Overhead Lift

Hydraulic System

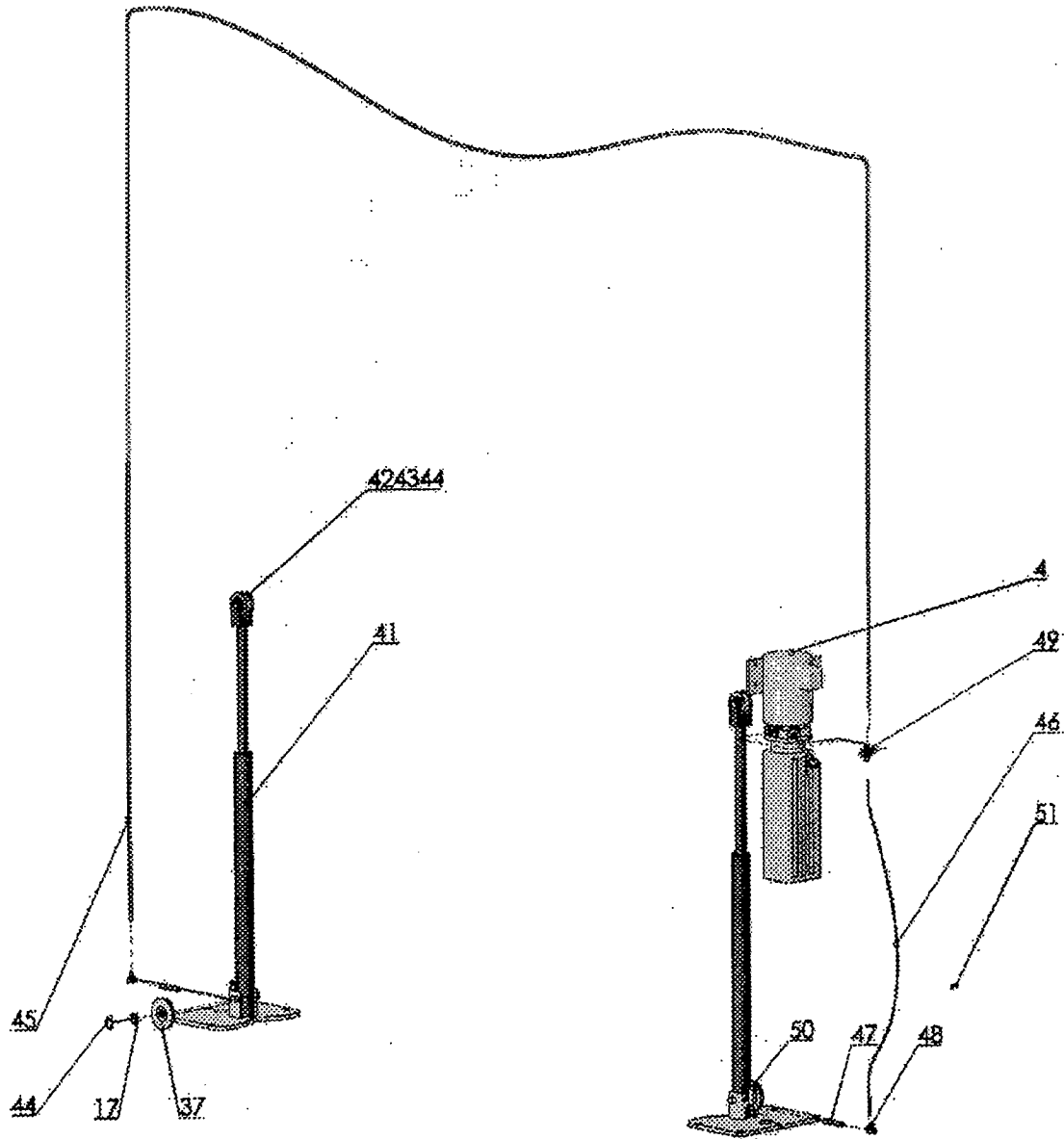


Fig. 14

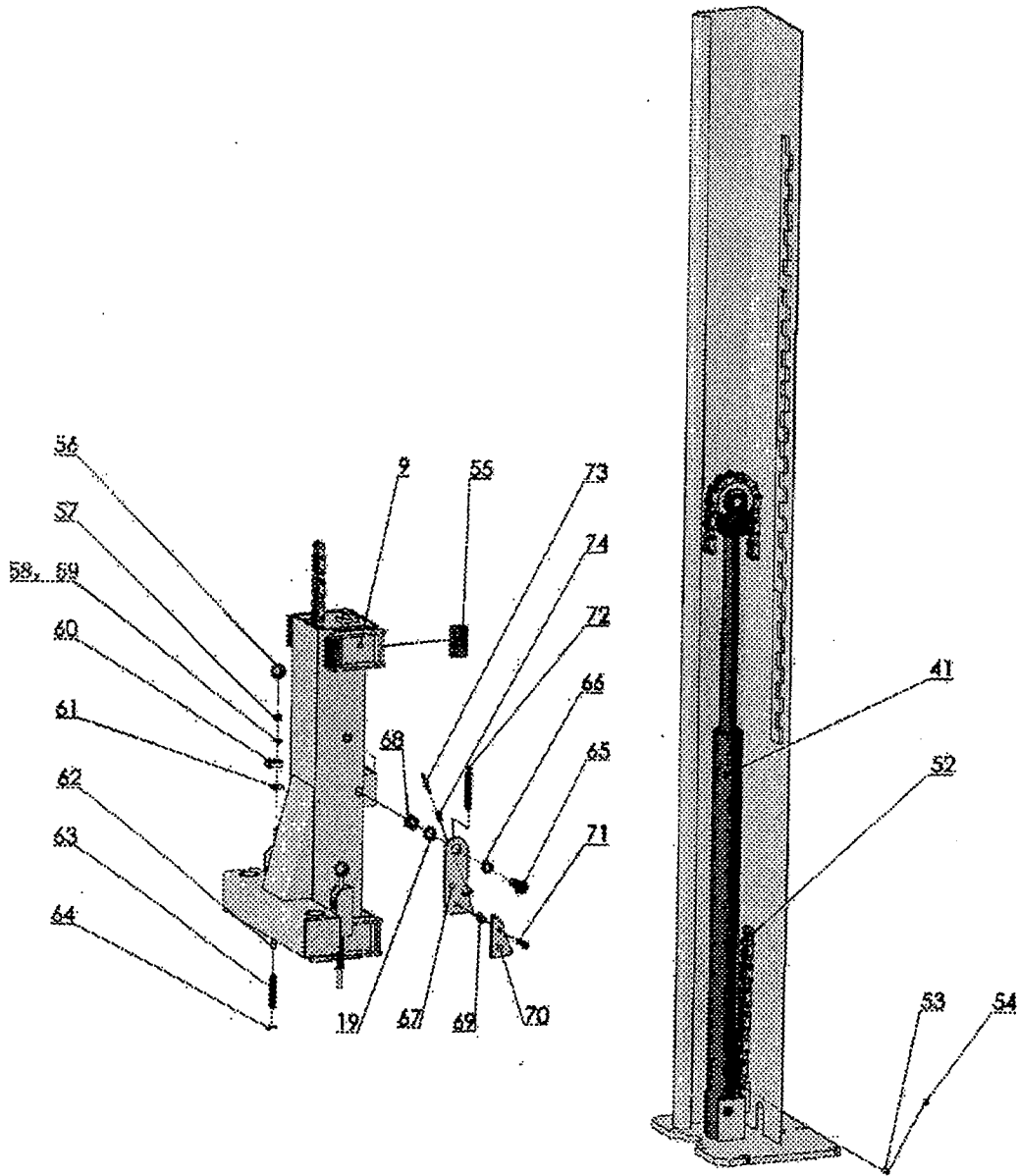


Fig. 15

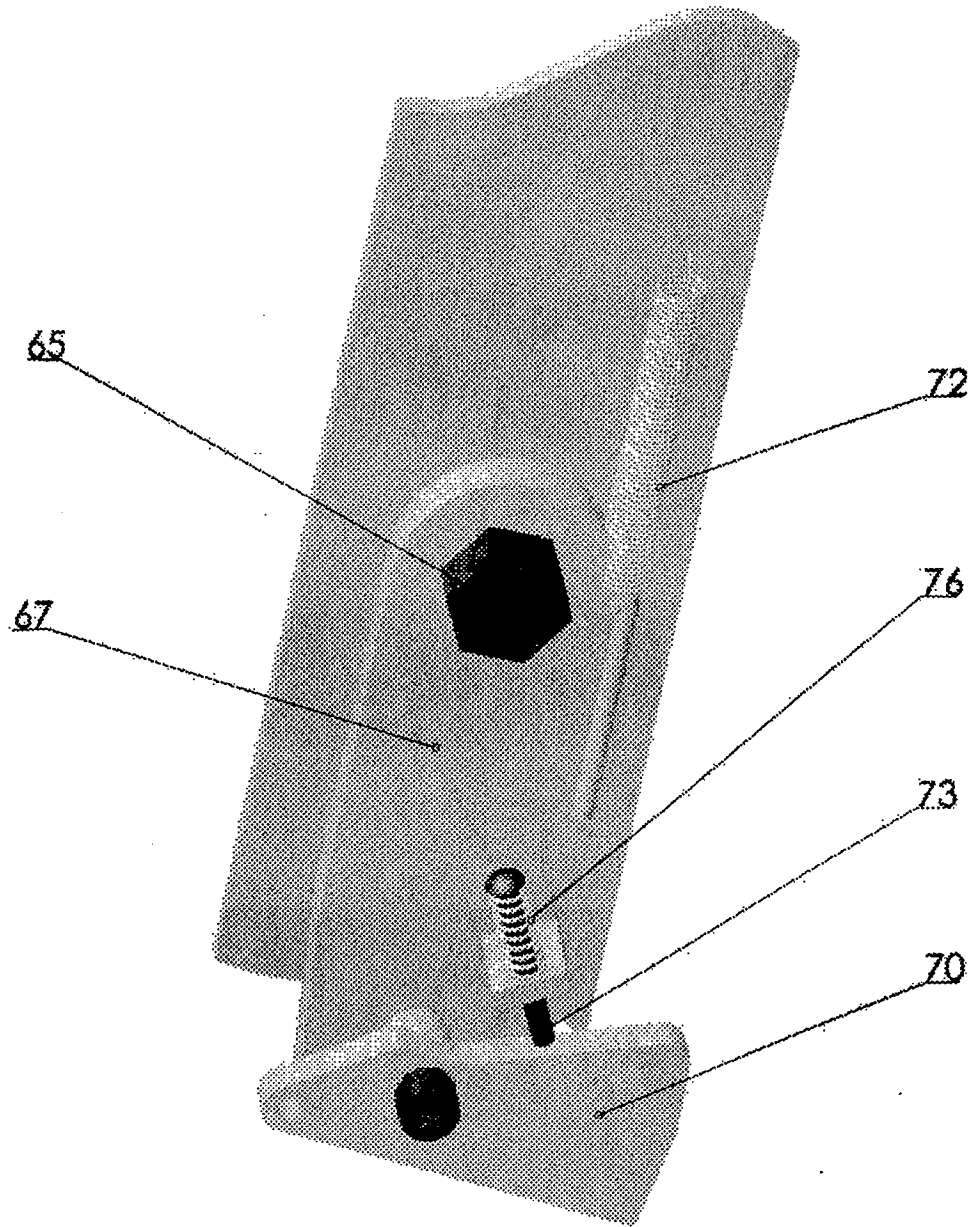


Fig. 16 Floorplate Lift

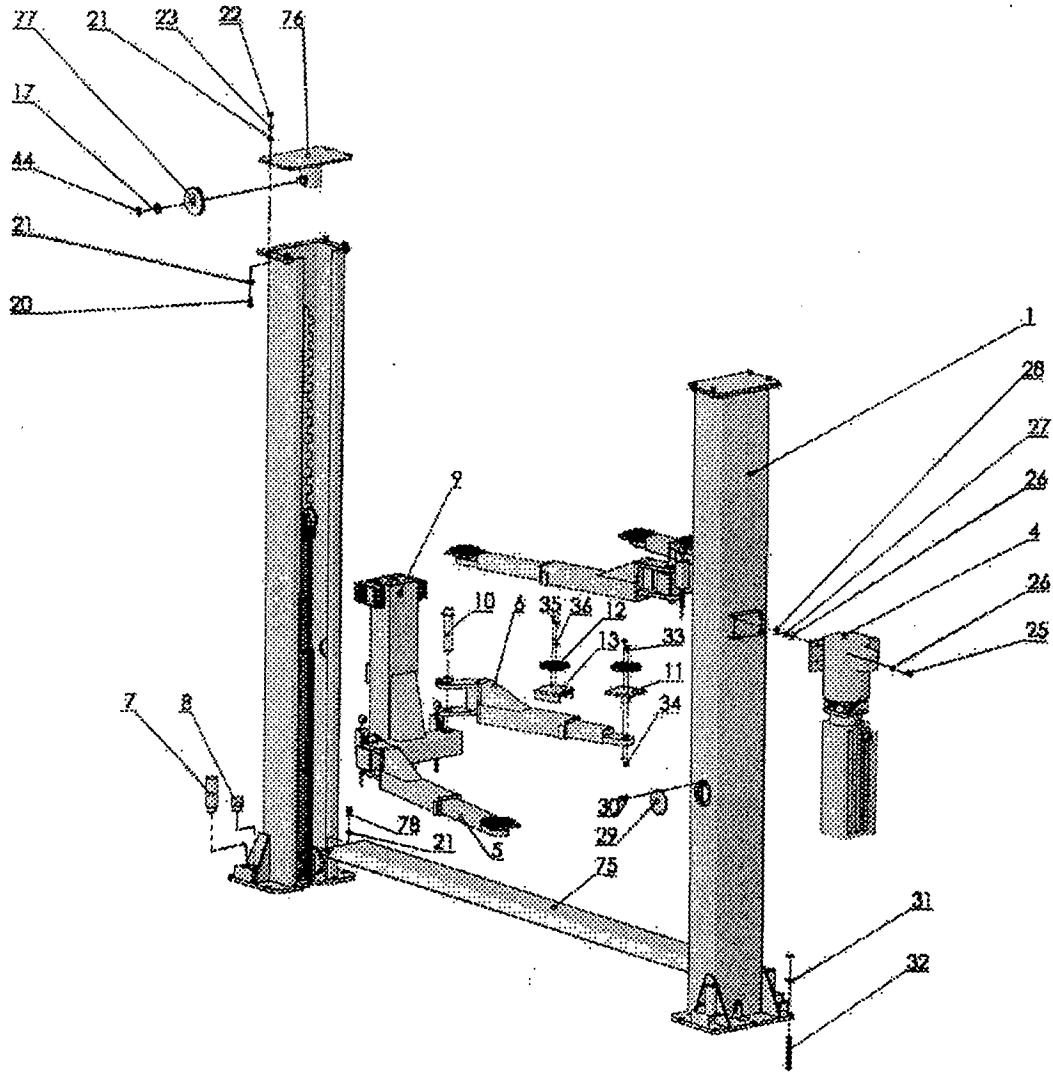


Fig. 17 Floorplate Lift

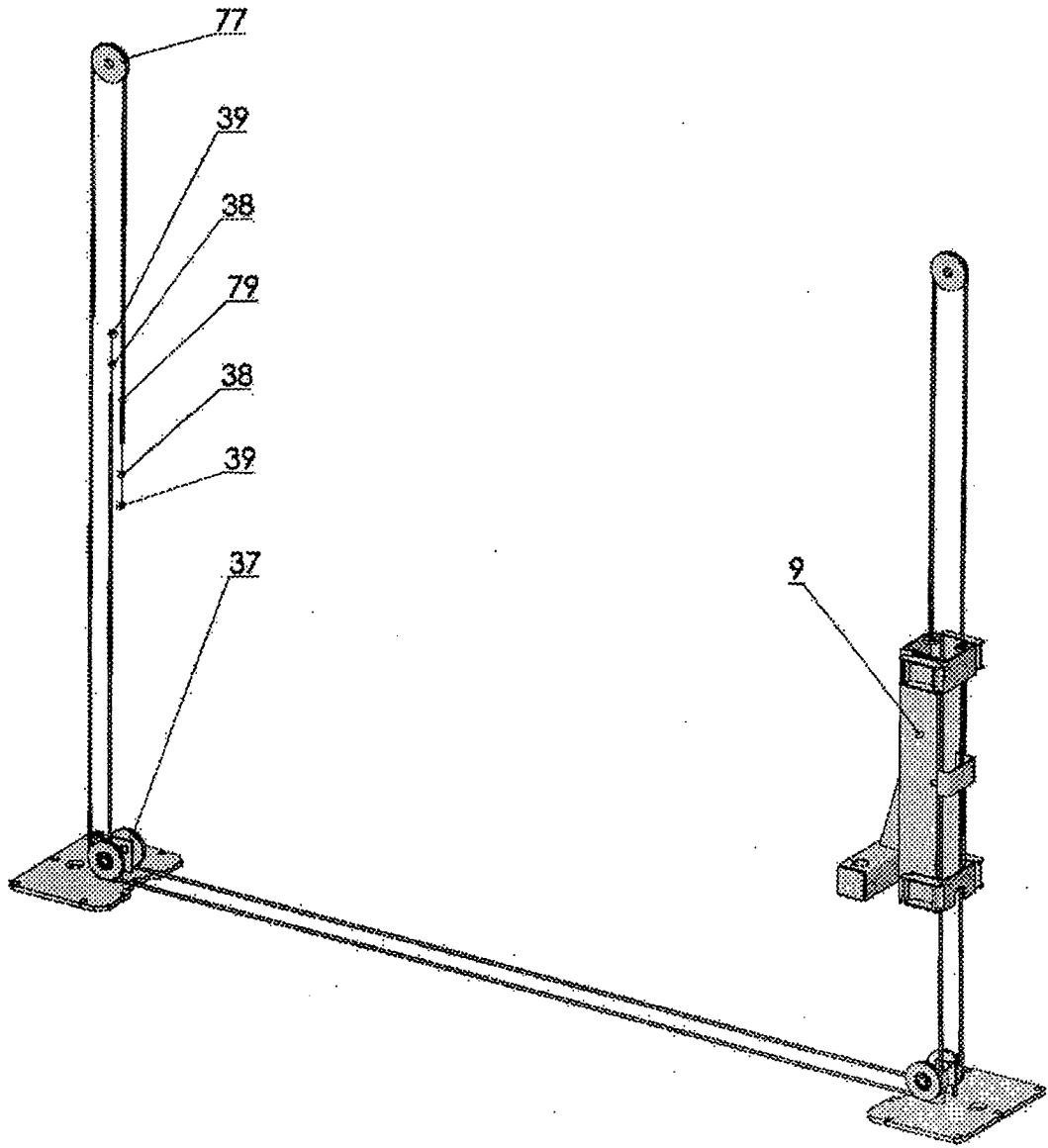
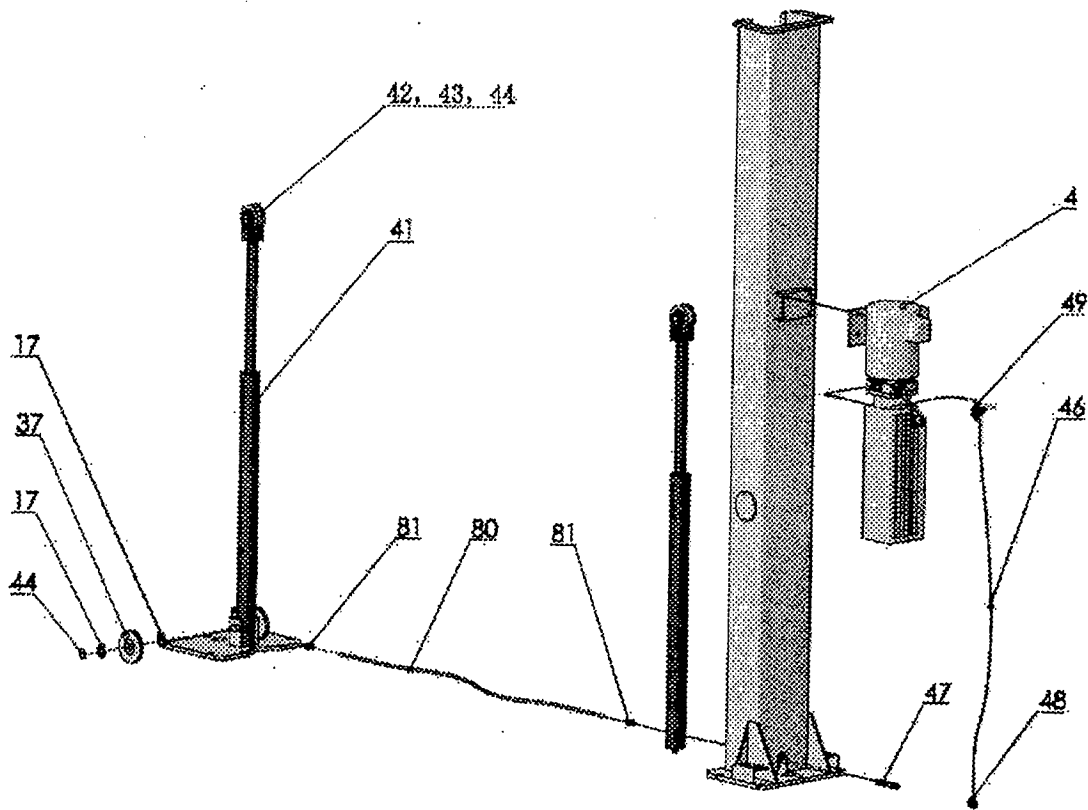


Fig. 18 Floorplate Lift



Parts list for Overhead and Floorplate Lift

ITEM	DESCRIPTION	QTY Overhead	QTY Floorplate
1	Column	2	2
2	Up-Rights	2	0
3	Cross Beam	1	0
4	Power Unit	1	1
5	Long Arm	2	2
6	Short Arm	2	2
7	Adapter A	4	4
8	Adapter B	4	4
9	Cartage	2	2
10	Pin	4	4
11	Lifting Pad	4	4
12	Rubber Insert	6	6
13	Saddle	2	2
14	Top Bracket	4	0
15	3.62" Cable Sheave	4	0
16	Cable Sheave Shaft	2	0
17	Flat Washer	8	0
18	M20 Nut	4	0
19	20 Lock Washer	6	0
20	M12x40 Bolt	16	8
21	12 Flat Washer	42	12
22	M12 Nut	21	8
23	12 Lock Washer	8	8
24	M12x25 Bolt	5	0
25	M8x25 Bolt	4	4
26	8 Flat Washer	8	8
27	Lock Washer 8 4		4
28	M8 Nut	4	4
29	Window Cover	2	2
30	M6x8 Screw	4	4
31	Washer, Anchor bolt	10	10
32	Anchor bolt	10	10
33	M6x25 bolt	8	8
34	M6 Nut	8	8
35	M6x15 Screw	4	4
36	8 Flat Washer	4	4
37	4.75" Cable Sheave	2	4
38	20 Flat Washer	4	4
39	3/4 -16UNF Lock Nut	4	4
40	Cable	2	0

41	Hydraulic Cylinder	2	2
42	Chain Sheave	2	2
43	Shaft, Chain Sheave	2	2
44	25 Snap Ring	6	10
45	Hydraulic Hose	1	0
46	Hydraulic Hose	1	1
47	Fitting, Hydraulic	2	1
48	Fitting, Hydraulic	2	1
49	T Fitting	1	1
50	Cylinder Base	2	2
51	Hose clip	6	0
52	Leaf Chain	2	2
53	Pin, leaf Chain	4	4
54	2x20 Cotter Pin	8	8
55	Rubber Block,	16	16
56	M10* 35 Plastic Knob	4	4
57	M10 Nut	4	4
58	10 Flat Washer	4	4
59	10 Lock Washer	4	4
60	Gear Rack	4	4
61	Spacer	4	4
62	Pull Handle	4	4
63	Spring	4	4
64	3x26 Raw Pin	4	4
65	M20x45 Bolt	2	2
66	Bushing	2	2
67	Block	2	2
68	M20 Nut	2	2
69	Flat Washer	2	2
70	Safety Kick Release	2	2
71	M10x35 Screw	2	2
72	Spring	2	2
73	M6x50 Screw	2	2
74	Spring	2	2
75	Floor Plate	0	1
76	Top Cap	0	2
77	4.75 Cable Sheave	0	2
78	12x16 Bolt	0	4
79	Cable	0	2
80	Hose	0	1
81	Fitting	0	2

Rub Block Shimming.txt

Procedure for Shimming Two Post Carriages

1. Separate your lift columns, lay them on their backs, move carriage from side to side and front to back to determine if they are loose or if the shims have come out.

(Sometimes this occurs in shipping)

2. If shims are needed, you then remove the cylinder and disconnect the chain.
3. Top Plates will need to be removed so you can slide the carriage out the end only exposing the carriage feet or rub block holders. There are two on each side with nylon blocks (approximately 1"x1"x3") the shims provided for you are in 1/8" and 1/4" thick these will need to be placed between the block and the block holder to fit snug in the column.
4. Replace the carriage in the column.
5. Replace top plates, for the floor model or apply the uprights, for the overhead model.
6. Replace the chain.
7. Place the cylinder back in position.
8. Release the locks and pull the carriage down to the base plate.
9. Stand each column up and proceed with your installation.