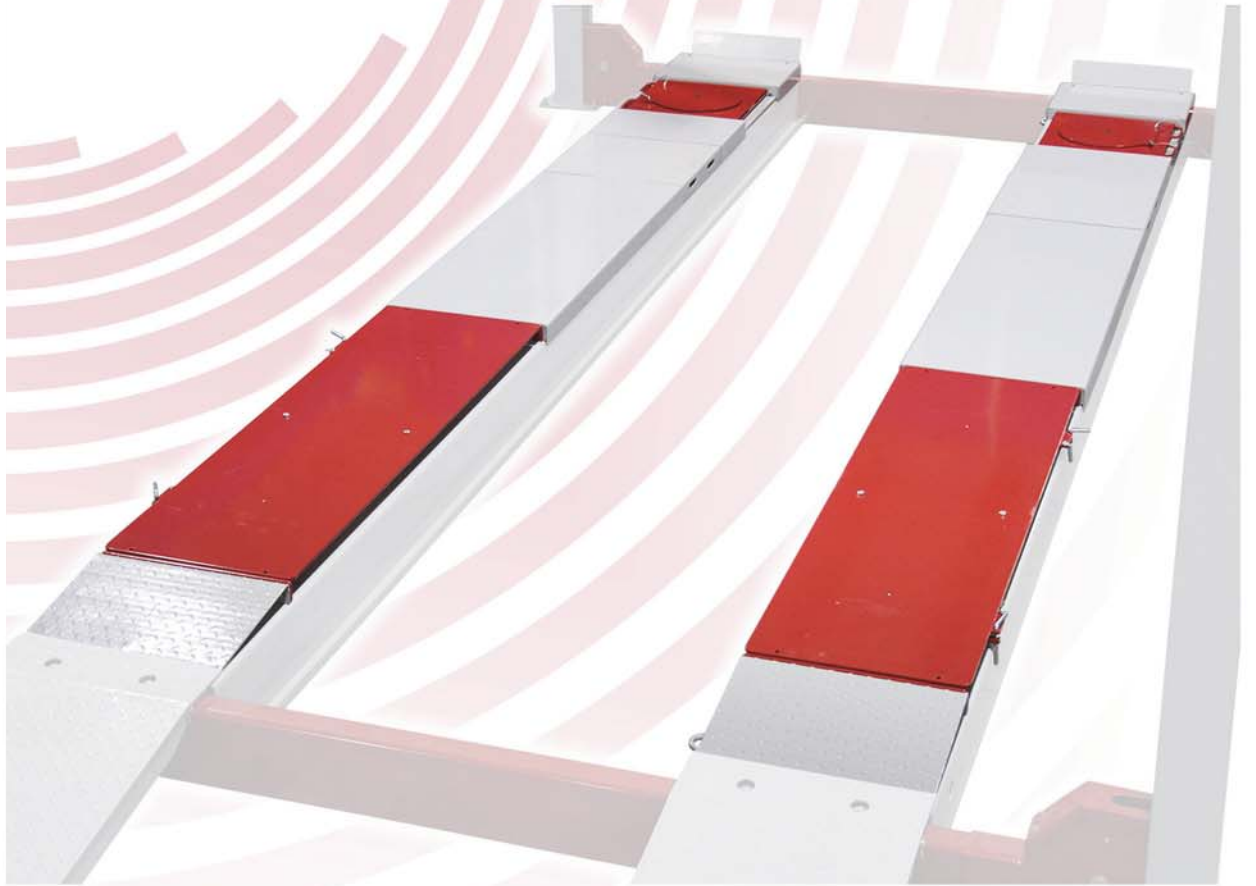


Atlas Platinum Alignment Kit

For Use On The PVL-14

AP-PVL-ALIKIT



Atlas Automotive Equipment

www.atlasautoequipment.com

(866) 898-2604

Updated: 10/28/2019

Read this entire manual before operation begins.

Record below the following information which is located on the serial number data plate.

Serial No. _____

Model No. _____

Date of Installation _____

———— Contents ————

General Information	4
Description	6
Installation	8
Part List	12

General Information

This manual has been written to be used by shop technicians in charge.

The operating instructions are considered to be an integral part of the product and must remain with it for its whole useful life.

Read every section of this manual carefully before making any installation or operation.

The company is not liable for possible problems, damage, accidents, etc. resulting from failure to follow the instructions contained in this manual.

Only skilled technicians of AUTHORIZED DEALERS or SERVICE CENTERS AUTHORIZED by the manufacturer shall be allowed to carry out lifting, transport, assembling, installation, adjustment, calibration, settings, extraordinary maintenance, repairs, overhauling and dismantling of the product.

The manufacturer is not responsible for possible damage to people, vehicles or objects if said operations are carried out by unauthorized personnel or the product is improperly used.

Any use of the product made by operators who are not familiar with the instructions and procedures contained herein shall be forbidden.

For a proper use of this manual, the following is recommended:

- Keep the manual near the product, in an easily accessible place.
- Keep the manual in an area protected from the damp.
- Use this manual properly without damaging it.
- Any use of the product made by operators who are not familiar with the instructions and procedures contained herein shall be forbidden.

This manual is an integral part of the product: it shall be given to the new owner if and when the product is resold.

Operators must not be under the influence of sedatives, drugs or alcohol when operating the product.

Declaration Of Warranty And Limitation Of Liability

The manufacturer has paid proper attention to the preparation of this manual. However, nothing contained herein modifies or alters, in any way, the terms and conditions of manufacturer agreement by which this product was acquired, nor increase, in any way, manufacturer's liability to the customer.

To The Reader

Every effort has been made to ensure that the information contained in this manual is correct, complete and up-to date. The manufacturer is not liable for any mistakes made when drawing up this manual and reserves the right to make any changes due the development of the product, at any time.

Description

2.1 Description

This alignment kit is used to be bolted on a proper 4 post lift for alignment purpose.

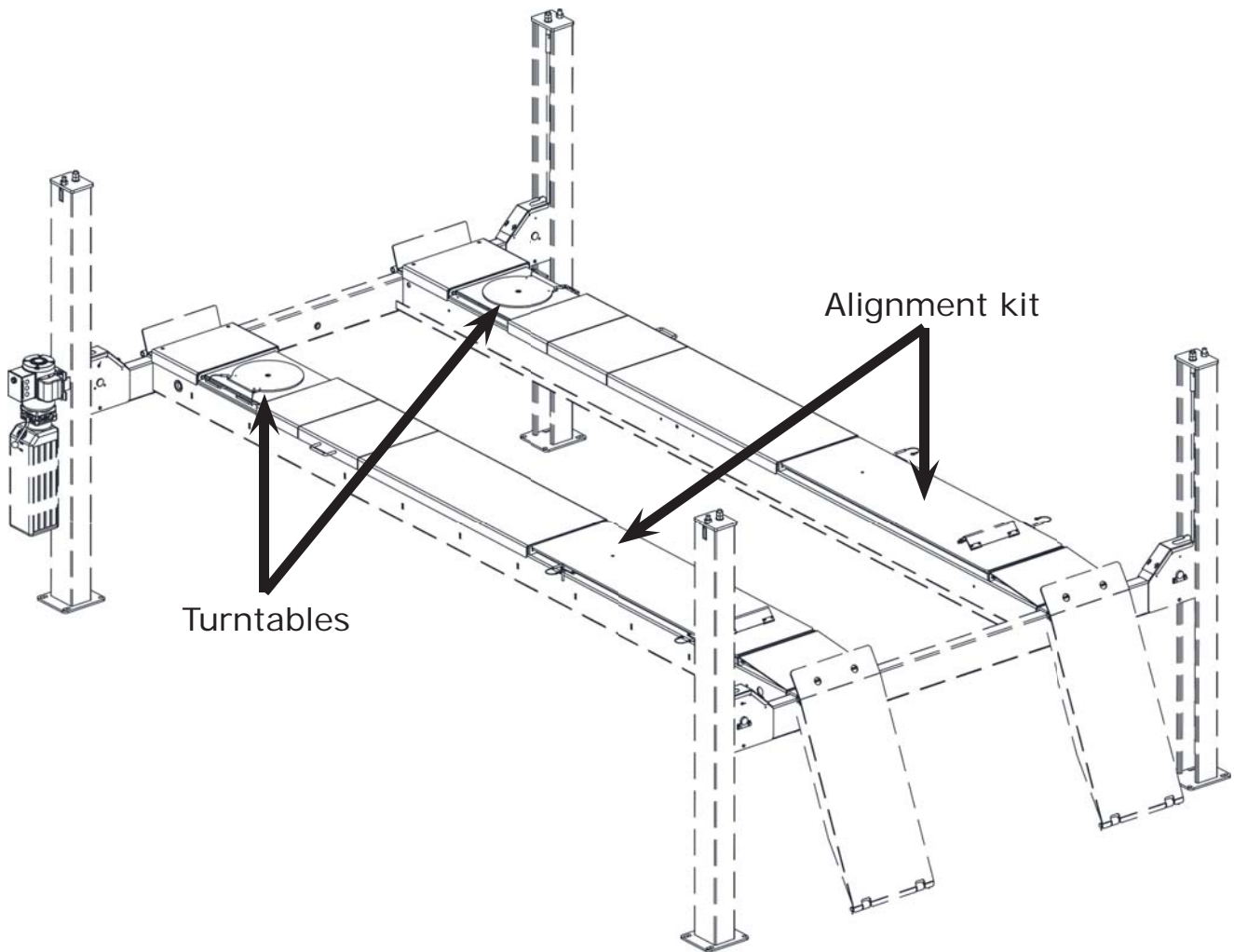


Fig. 1

2.2 Specifications

LIFT CAPACITY	14,000lbs (6400kg)
Overall Length	199 1/3" (5062mm)
Overall Width	20 5/8" (524mm)
Min. Wheel Base	75 2/5" (1915mm)
Max. Wheel Base	148 2/3" (3776mm)
Min. Turntable Recess	1 1/2" (40mm)
Max. Turntable Recess	2" (50mm)
Weight of Alignment Kit Only	1015 lbs (460kg)
Weight of Turntable Only	55 lbs (25kg)

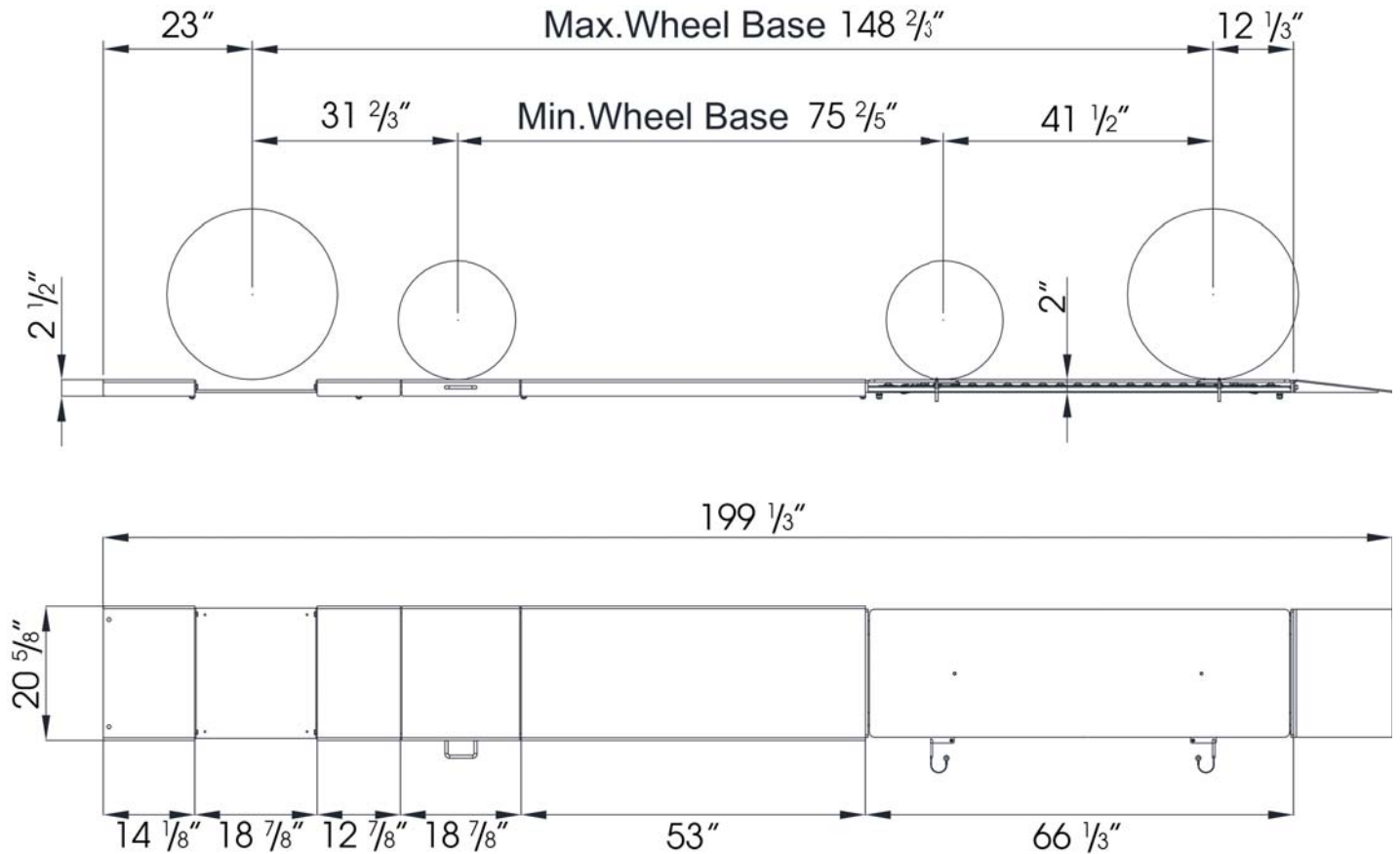
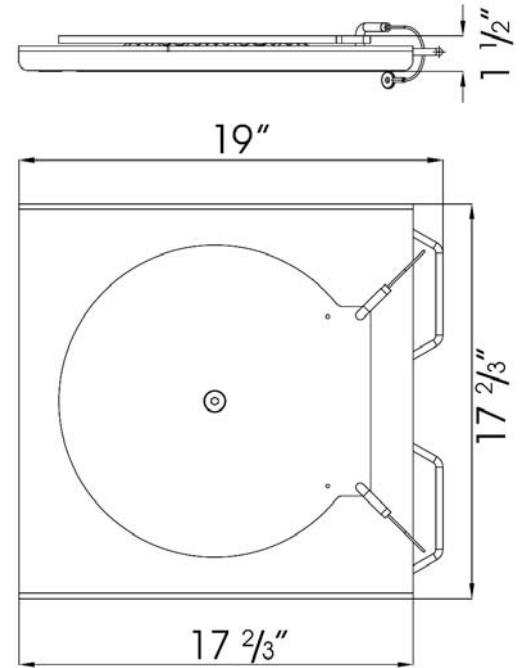


Fig. 2

Installation

3.1 Front Spacer Installation

- Remove the screws bolted to the front wheel stop and the runway to the cross beam;
- Place the front spacer on the runway so that two thread pins under the spacer are aligned with the holes on the runway;
- Attach two nuts M10, washers D.10 and locking washers D.10 to the pins as shown. Tighten the nuts;
- Place the wheel stop on the front end of the spacer so that two holes are aligned with the holes on the wheel stop;
- Attach two screws M12X30, nuts M12, washers D.12 and locking washers D.12 as shown. Tighten the screws.

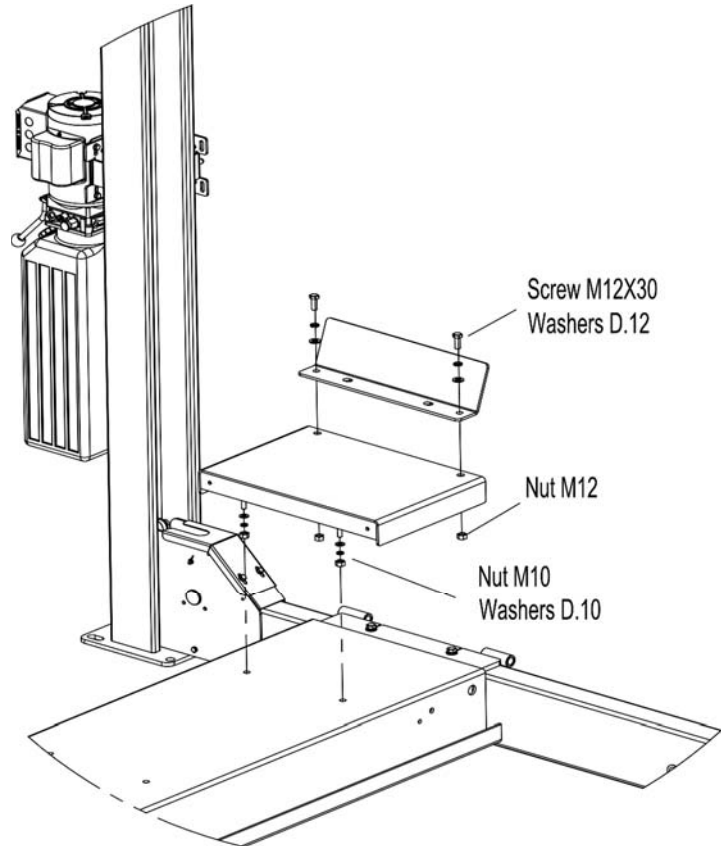


Fig. 3

3.2 Recess Plate 1 Installation



The recess plates are needed to be installed when the 1-1/2" high turntables are used on the lift.

The movable spacer (ref. fig.6) can be put on either recess 1 or recess 2 according to the different wheelbase of the vehicle to be lifted.

- Place the recess plate 1 on the runway so that two holes on the end are aligned with the holes on the end of the front spacer;
- Attach two screws M10X20 as shown.
- Tighten the screws.

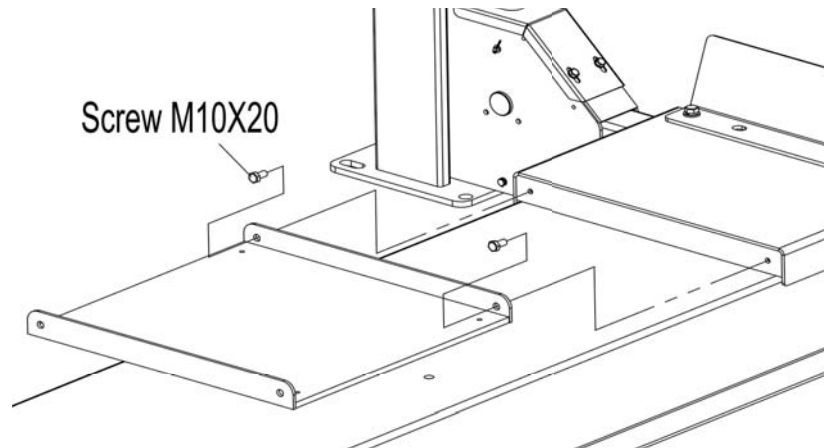


Fig. 4

3.3 Middle Spacer Installation

- Place the middle spacer on the runway so that two thread pins under the spacer are aligned with the holes on the runway, and two holes on the end are aligned with the holes on the end of the recess plate 1;
- Attach two nuts M10, washers D.10 and locking washers D.10 to the pins as shown;
- Attach two screws M10X20 as shown;
- Tighten the screws and nuts.

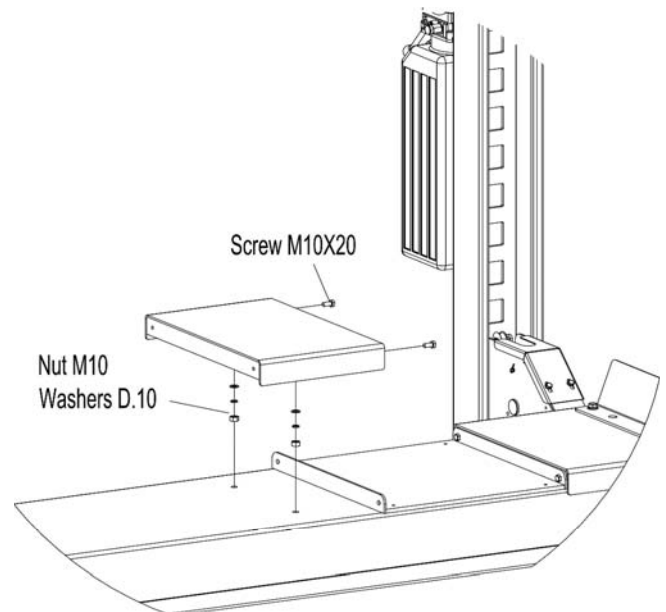


Fig. 5

3.4 Recess Plate 2 Installation

- If needed, place the recess plate 2 on the runway so that two holes on the end are aligned with the holes on the end of the middle spacer;
- Attach two screws M10X20 as shown. Tighten the screws.

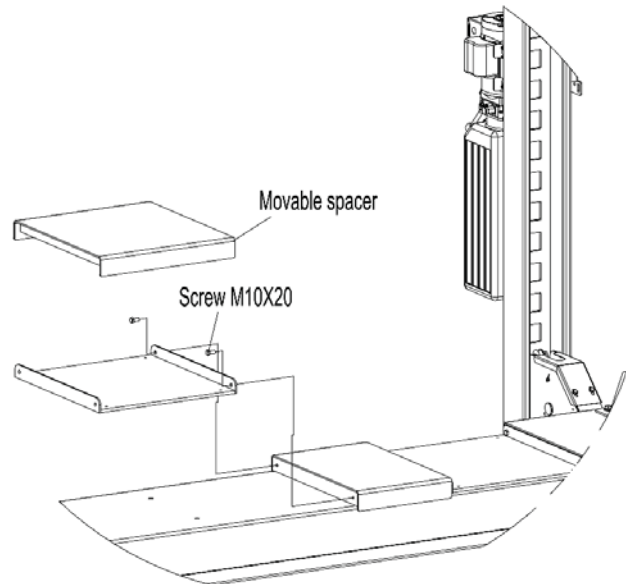


Fig. 6

3.5 Long Spacer Installation

- Place the long spacer on the runway so that four thread pins under the spacer are aligned with the holes on the runway, and two holes on the end are aligned with the holes on the end of the recess plate 2;
- Attach four nuts M10, washers D.10 and locking washers D.10 to the pins as shown;
- Attach two screws M10X20 as shown;
- Tighten the screws and nuts.

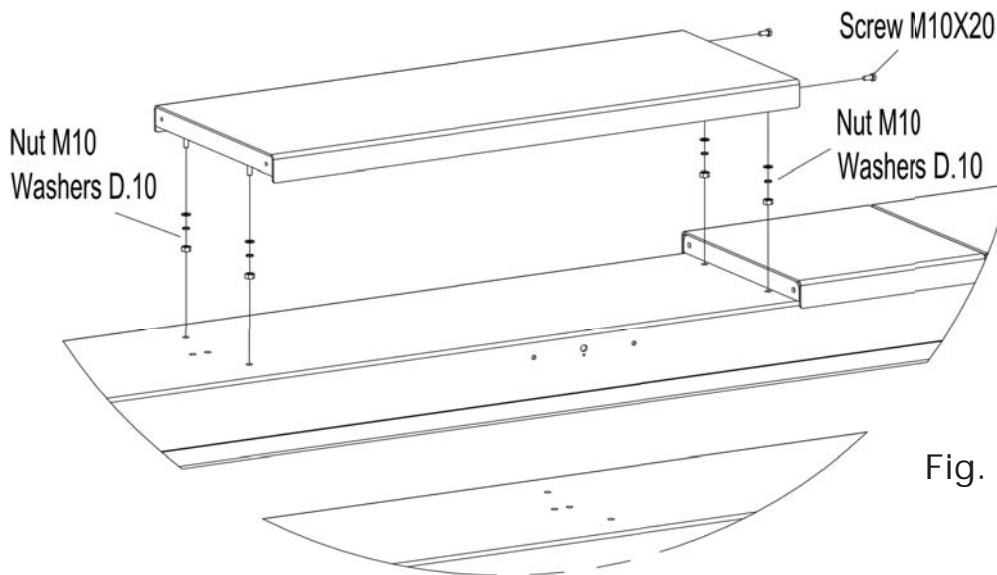


Fig. 7

3.6 Rear Slip Plate Installation

- Place the rear slip plate on the runway so that two thread pins under the plate are aligned with the holes on the runway;
- Attach two nuts M12, washers D.12 and locking washers D.12 to the pins as shown;
- Tighten the nuts.

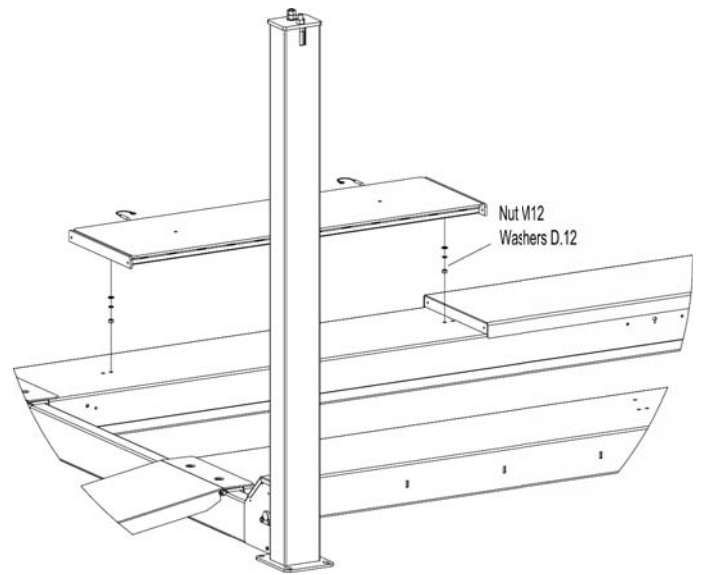


Fig. 8

3.7 Ramp Spacer Installation

- Place the ramp spacer on the runway so that two holes on the end are aligned with the holes on the end of the rear slip plate;
- Attach two hex socket screws M10X20 as shown.
- Tighten the screws.

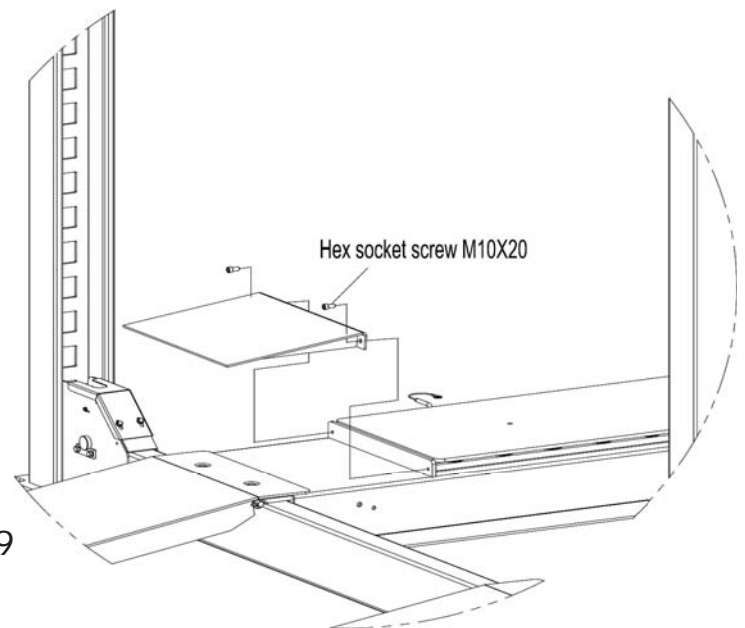


Fig. 9

Part List

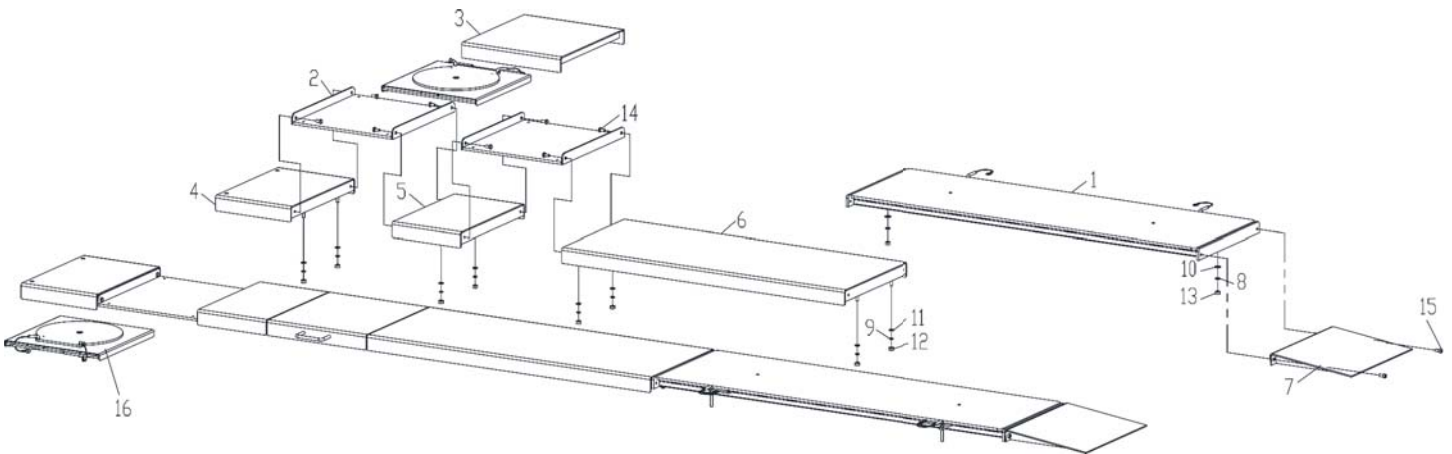


Fig. 10 – General Part List

Item	Part number	Description	Qty
1	Z72A351000	Rear slip plate assy.	2
2	Z72A336000	Recess plate	4
3	Z72A335000	Recess spacer	2
4	Z72A334000	Front spacer	2
5	Z72A333000	Middle spacer	2
6	Z72A332000	Long spacer	2
7	Z72A331000	Ramp spacer	2
8	0208009	Locking washer D.12	4
9	0208007	Locking washer D.10	16
10	0205013	Washer D.12	4
11	0205011	Washer D.10	16
12	0203032	Nut M10	16
13	0203023	Nut M12	4
14	0201062	Screw M10X20	16
15	0202060	Hex socket screw M10X20	4
16	J06G000000	Turntable assy.	2

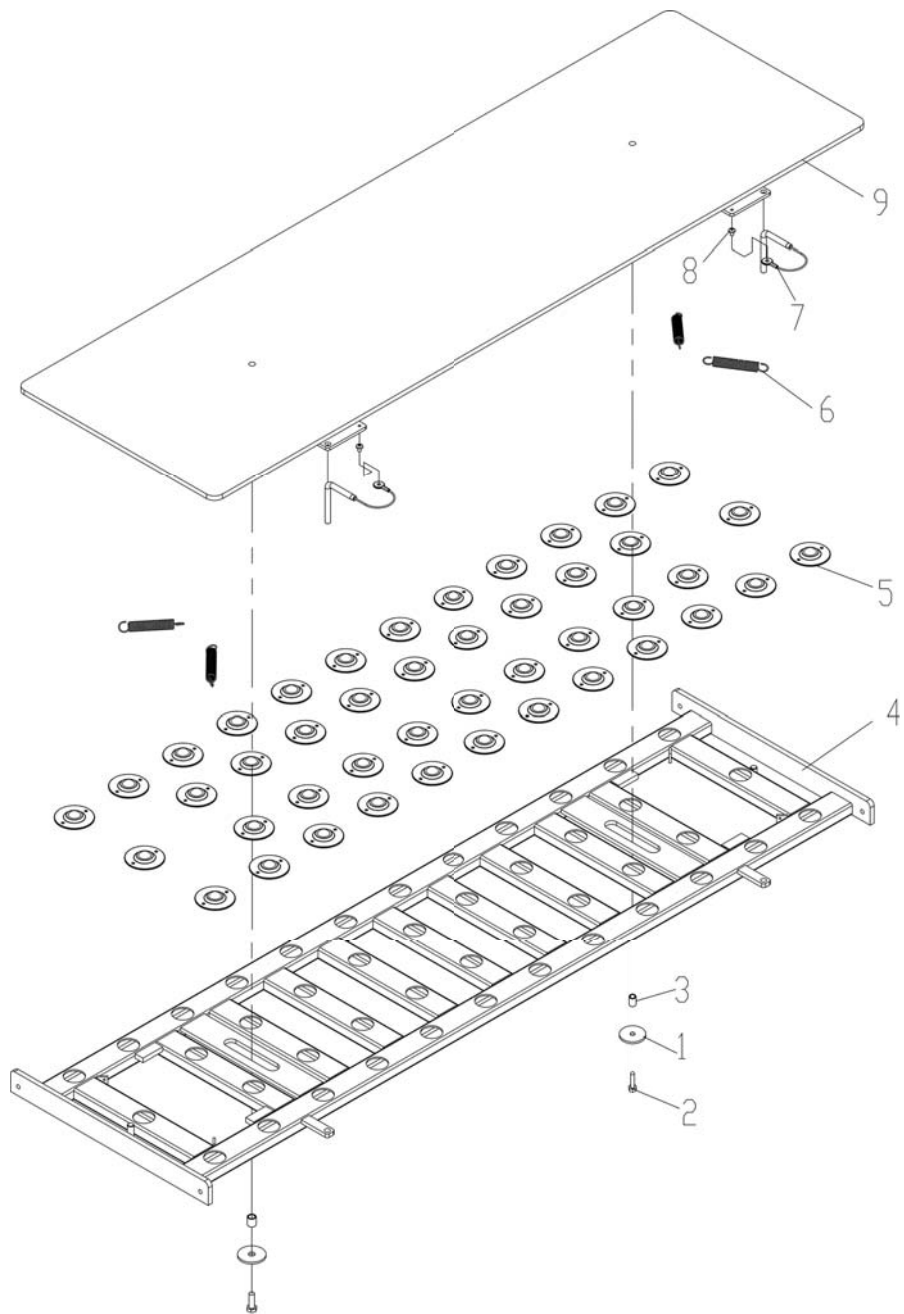


Fig. 11 – Rear Slip Plate Assembly

Item	Part number	Description	Qty
1	Z72A300003	Washer	4
2	0201049	Screw M10X30	2
3	Z72A300005	Spacer	2
4	Z72A338000	Ball bearing retainer	2
5	0215087	Steel ball bearing	44
6	Z72A300004	Spring	4
7	Z72A339000	Plate stop pin	2
8	0206036	Screw M6X8	2
9	Z72A337000	Slip top plate	1

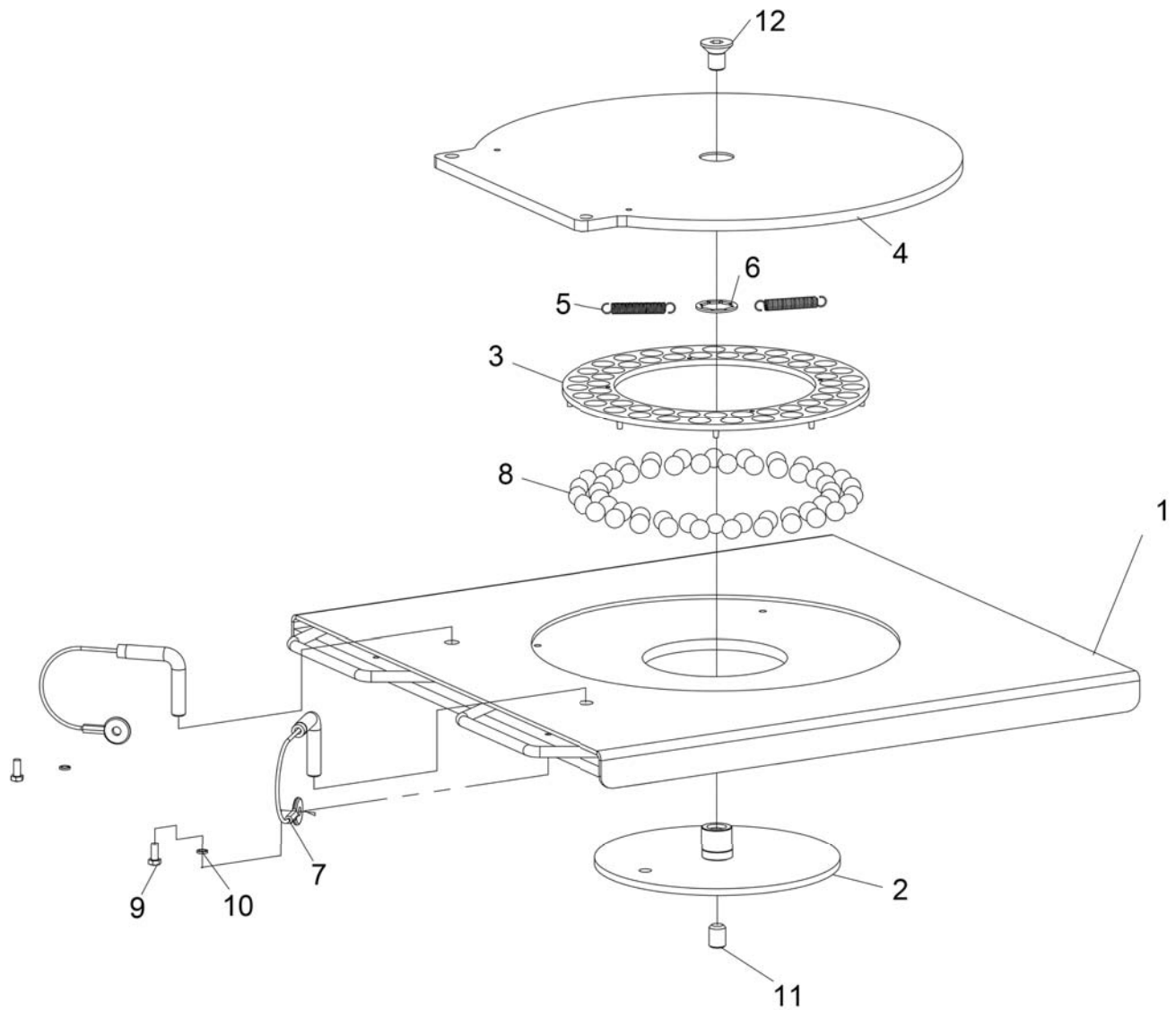


Fig. 12 – Turntable Assembly

Item	Part number	Description	Qty
1	J06G010000	Turntable base	1
2	J06A020000	Bottom plate	1
3	J06A000003	Ball retainer	1
4	J06A000004	Turn plate	1
5	J06B050002	Spring	4
6	J06A000002	Washer	1
7	824B-14220	Plate stop pin	2
8	0215037	Nylon ball bearing D.14	54
9	0201006	Screw M5X12	2
10	0208003	Locking washer D.5	2
11	0209062	Screw M12X16	1
12	0207038	Screw M12X20	1