

INSTALLATION & OPERATION MANUAL



Atlas RJ-6000

6,000 lb. Capacity Center Rolling Jack



Atlas Automotive Equipment
www.atlasautoequipment.com
(866) 898-2604

Read this entire manual before operation begins.

Record below the following information which is located on the serial number data plate.

Serial No. _____

Model No. _____

Date of Installation _____

———— Contents ————

Specifications	4
Installation	5
Exploded View	8
Parts List	9



Specifications

Features

- Safety self-lock mechanism
- Convenient
- Can be used seperatly or match with lifts (four post, PX scissors, etc.)
- Adjustable adapters assembly



The structure of the RJ-6000 is the same between two version, but the standard is matched with air pump while the manual is matched with a hand pump.

Specifications

Lifting Capacity	Lifting Height	Lifting Times	Overall Width	Overall Depth	Min. Height	Gross Weight	Air (Psi)
6000 lbs	20"	50s	36"	18.5"	7 3/4"	265 lbs	70-95

Installation

Connect The Pump To An Air Source

Note: Air pressure must be at 70-95 PSI.



Fig.1



Fig.2

Hand pump
connected with
cylinder

Hand pump

Lift Vehicles

1. Choose the suitable adapters (Fig. 3)
2. Extend the upper extension to proper length to fit the lifting point of the vehicle (Fig. 4)

2.5", 1.5" adapters



Fig. 3

Upper Extensions



Fig. 4

3. Fill air into the oil pump (Fig.5)
4. Raise the Jack and lock the Jack in the safety lock (Fig. 6)

Press Down And Fill With Air



First tighten the rotation switch clockwise



Fig. 5

And then press the hand pump handle up and down to fill the air in.

Lock The Jack

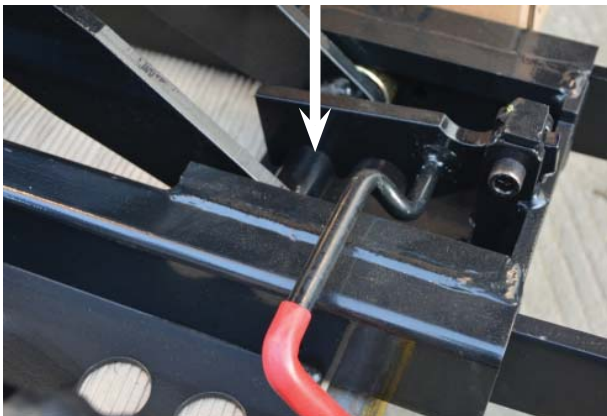


Fig. 6

Lower the Jack

1. Raise the Jack for few seconds to release the safety device, and then open the safety device by the safety device handle.

Release The Safety Device

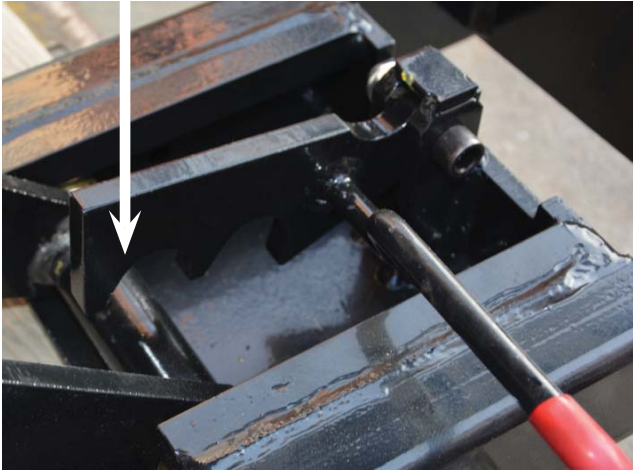


Fig. 7

Open The Safety Device By Pushing The Safety Device Handle



Fig. 8

2. To lower the jack, press the control plate of the air pump (automatic), or loosen the rotation switch of hand pump counter clockwise (manual).



Press The Control Plate Down

Fig. 9



Adjust the rotation switch of hand pump counter-clockwise to lower

Fig. 10

Exploded View

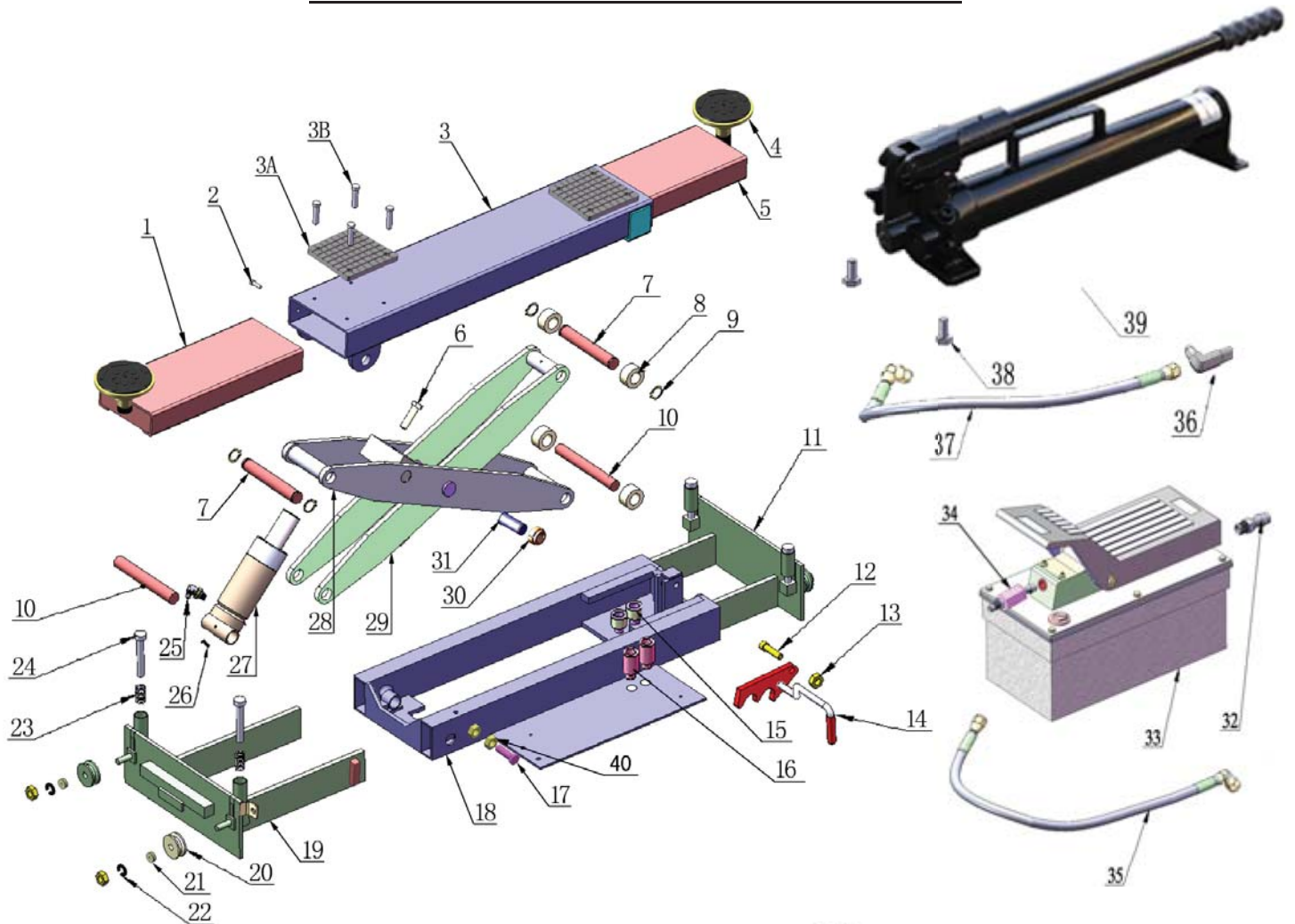
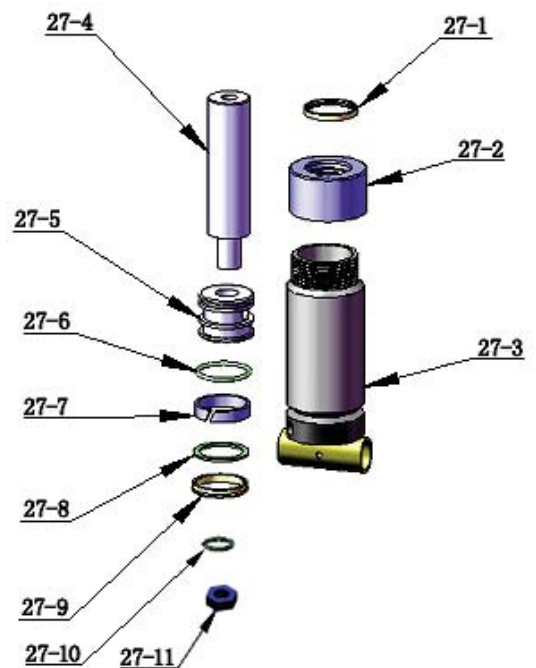


Fig. 12



Cylinder

Fig. 13

Parts List

Parts For Structure

Item	Part No.	Description	QTY (Auto)	QTY (Manual)
1	680001	Upper Extension (Left)	1	1
2	201002	Hex Bolt	2	2
3A	680004	Rubber Pad	2	2
3B	209009	Cup Head Bolt	8	8
3	680006	Upper Tube	1	1
4	680030C	Rubber Pad Support assembly	2	2
5	680007	Upper Extension (Right)	1	1
6	680055	Hex Bolt	1	1
7	680008	Pin for Upper Roller	2	2
8	680009	Roller	4	4
9	206032	Snap Ring	4	4
10	680011	Pin for Lower Roller	2	2
11	680012	Lower Extension (Right)	1	1
12	680013	Socket Bolt	1	1
13	206023	Self locking Nut	5	5
14	600003	Safety Device	1	1
15	209051B	Stackable Adapter (1.5")	2	2
16	209052B	Stackable Adapter (2.5")	2	2
17	690018	Hex Bolt	2	2
18	680023A	Base	1	1
19	680017	Lower Extension (Left)	1	1
20	680016	Pulley	4	4
21	680031	Bearing	4	4
22	680010	Snap Ring	4	4
23	680018	Spring	4	4
24	680019	Shaft	4	4
25	420097	90° Fitting	1	1
26	420005	Fixing Bolt	1	1
27	680021	Oil Cylinder	1	1
28	600033	Outer scissor	1	1
29	600034	Inner scissor	1	1
30	620022	Self locking Nut	2	2
31	680032	Scissors Pin	2	2
32	420146	Fitting For Air line	1	
33	670002	Air Pump	1	
34	670005	Throttle valve	1	
35	690016	Oil Hose	1	
36	420097	Straight fitting		1
37	720070	J6H oil hose		1
38	209043	Hex Bolt		2
39	690002	Hand pump		1
40	209021	Hex Bolt	2	2

Parts For Cylinder

Item	Part No.	Description	QTY	Item	Part No.	Description	QTY
27-1	209078	Dust Ring	1	27-7	201029	Support Ring	1
27-2	670006	Head Cap	1	27-8	201030	Y Ring	1
27-3	670007	Bore Weldment	1	27-9	201030A	Support Ring	1
27-4	670008	Piston Rod	1	27-10	206069	O Ring	1
27-5	670009	Piston	1	27-11	206071	Hex Bolt	1
27-6	201031	O Ring	1				