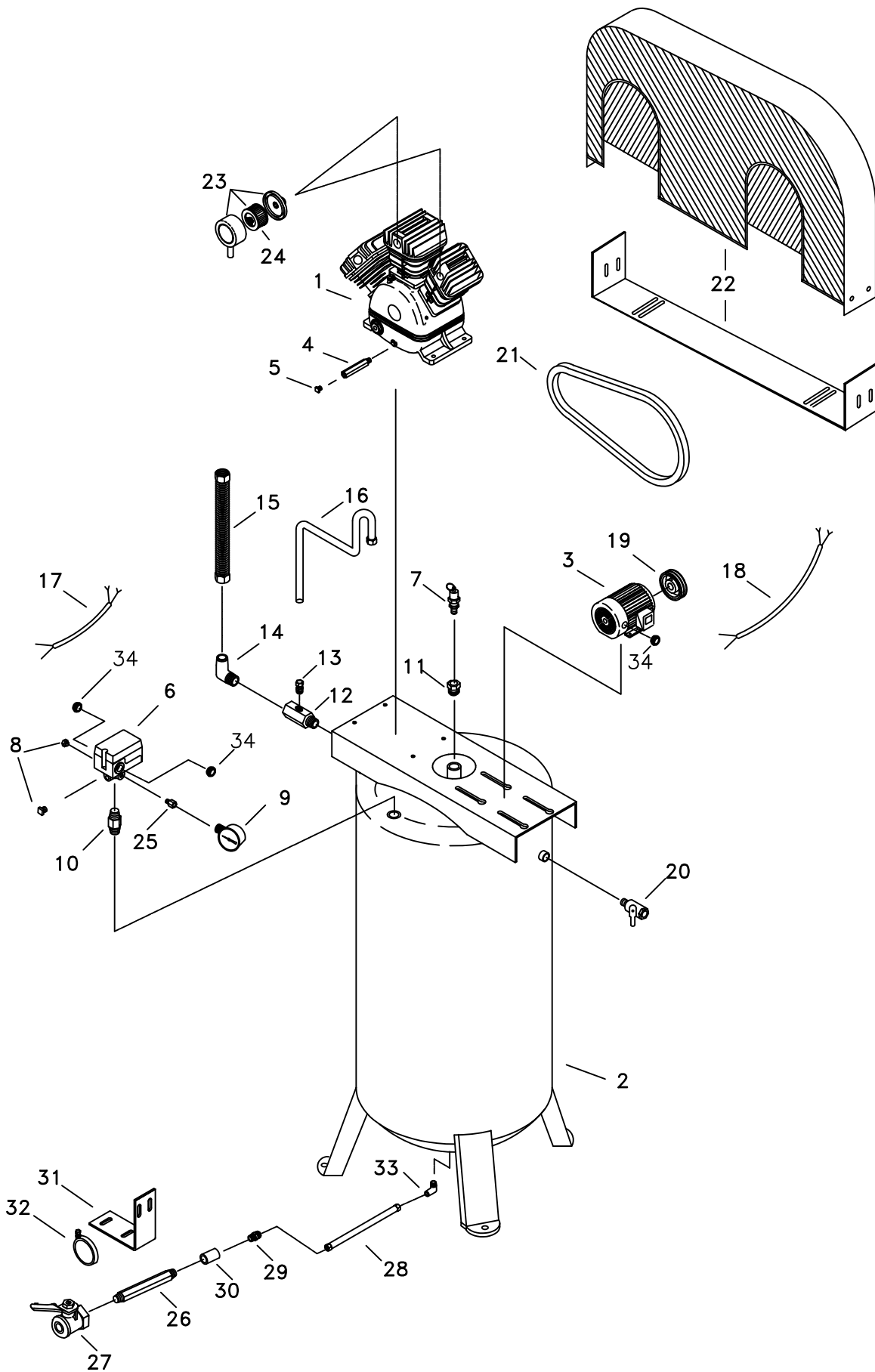


# AF-4

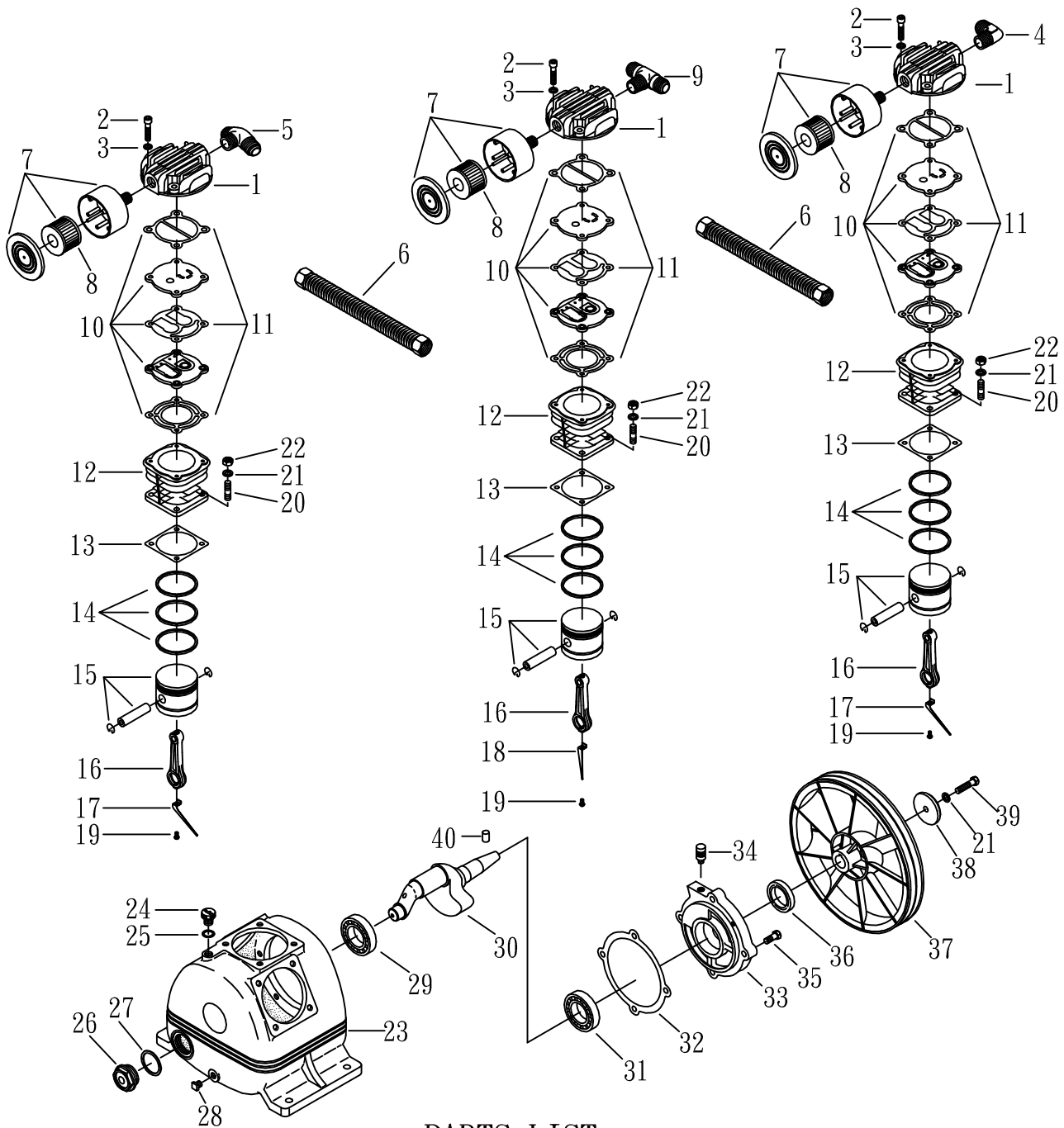


# PARTS LIST

**Model: AF-4**

**VER.: GS-003**

REF. NO.	Component ID	Component Description	Quantity
1	PP65	PUMP	1.00
2	4001-60V	TANK	1.00
3	4027-65-21-E	MOTOR	1.00
4	2305008	OIL DRAINING PIPE	1.00
5	2N33-002	PLUG	1.00
6	2E21-AF276DM	PRESSURE SWITCH	1.00
7	84006018	PRESSURE RELIEF VALVE (165 PSI)	1.00
8	2B14-ST02E	PLUG	2.00
9	2D12-20V20K	PRESSURE GAUGE	1.00
10	2N01-001	NIPPLE	1.00
11	050-04MN02FN	BUSHING	1.00
12	CV1212M	CHECK VALVE	1.00
13	035-02RN01MN-00	NIPPLE (STRAIGHT TUBE FITTING)	1.00
14	2N06-04T04H	ELBOW	1.00
15	3B2-04540	DISCHARGE TUBE	1.00
16	063-CU01X760	TUBE (Check Vavle to Pressure Switch, 30")	1.00
17	2E02-3530203Y3Q	ELECTRIC CABLE	1.00
18	2E02-3530702Y2F	ELECTRIC CABLE (Pressure Switch to Motor)	1.00
19	1A35X07	PULLEY	1.00
20	2413007	SERVICE VALVE	1.00
21	2N31-A48	BELT A48	1.00
22	3426092	BELT GUARD	1.00
22	3427201	BELT GUARD BOTTOM COVER	1.00
23	2140019A	AIR FILTER	3.00
24	1807 (2142013)	FILTER ELEMENT	3.00
25	2N02-02T02NC	ADAPTOR	1.00
26	2N01-008	NIPPLE	1.00
27	2413020N	DRAIN VALVE	1.00
28	063-NL03X280	SOFT TUBE	1.00
29	035-03RN02MN-00	NIPPLE	1.00
30	077-02N-000	COUPLING	1.00
31	3427008	BRACKET	1.00
32	063C-M51-001	CLAMP	1.00
33	024-03RN02MN-00	ELBOW	1.00
34	025A-03N-000	WIRE CLAMP	3.00
	059-404010	VIBRATION DAMPER	3.00



PARTS LIST

NO. 0A-010A

REF. NO.	DESCRIPTION	PART NO.	QTY.	REF. NO.	DESCRIPTION	PART NO.	QTY.
1	Cylinder head	3101052	3	21	Split lock washer	2B33-M08	13
2	Hex socket head bolt	2B01-M06*040	12	22	Hex nut	2B20-FM08	12
3	Split lock washer	2B33-M06	12	23	Crankcase	3301021	1
4	Elbow	2N06-04T04H	1	24	Oil cap	2319001	1
5	Tee	2N09-04H04T04H2	1	25	O-ring	2N52-30*12	1
6	Discharge tube kit	3B2-04*195	2	26	Oil sight gauge	2303003	1
7	Air filter	2140019A	3	27	Oil sight gauge gasket	2G11-001	1
8	Filter element	1807 (2142013)	3	28	Oil draining plug	2N33-001	1
9	Tee	2N09-04H04T04H4	1	29	Bearing	2N35-6205	1
10	Inlet & Outlet valve assembly	3B13-AC07	3	30	Crankshaft & counterweight	3304046	1
11	Valve plate gasket kit	3B71-PK20	3	31	Bearing	2N35-6205Z	1
12	Cylinder	3201035	3	32	Bearing end gasket	2G06-008	1
13	Cylinder gasket	2G04-003	3	33	Bearing end	3311014	1
14	Piston ring kit	3B32-65	3	34	Breather	2321003	1
15	Piston kit	3B31-65L	3	35	Hex bolt	2B00-SM08*020	4
16	Rod	2315028	3	36	Oil seal	2N50-TC24*47*07	1
17	Oil splasher	2317019	2	37	Pulley	3PBF-105A224	1
18	Oil splasher	2317018	1	38	Flat washer	2B30-08*35*35	1
19	Bolt (+)	2B02-FM05*010	3	39	Hex bolt	2B00-SM08*035A	1
20	Stud screw	2B11-001	12	40	Pulley key	2N47-63*09	1

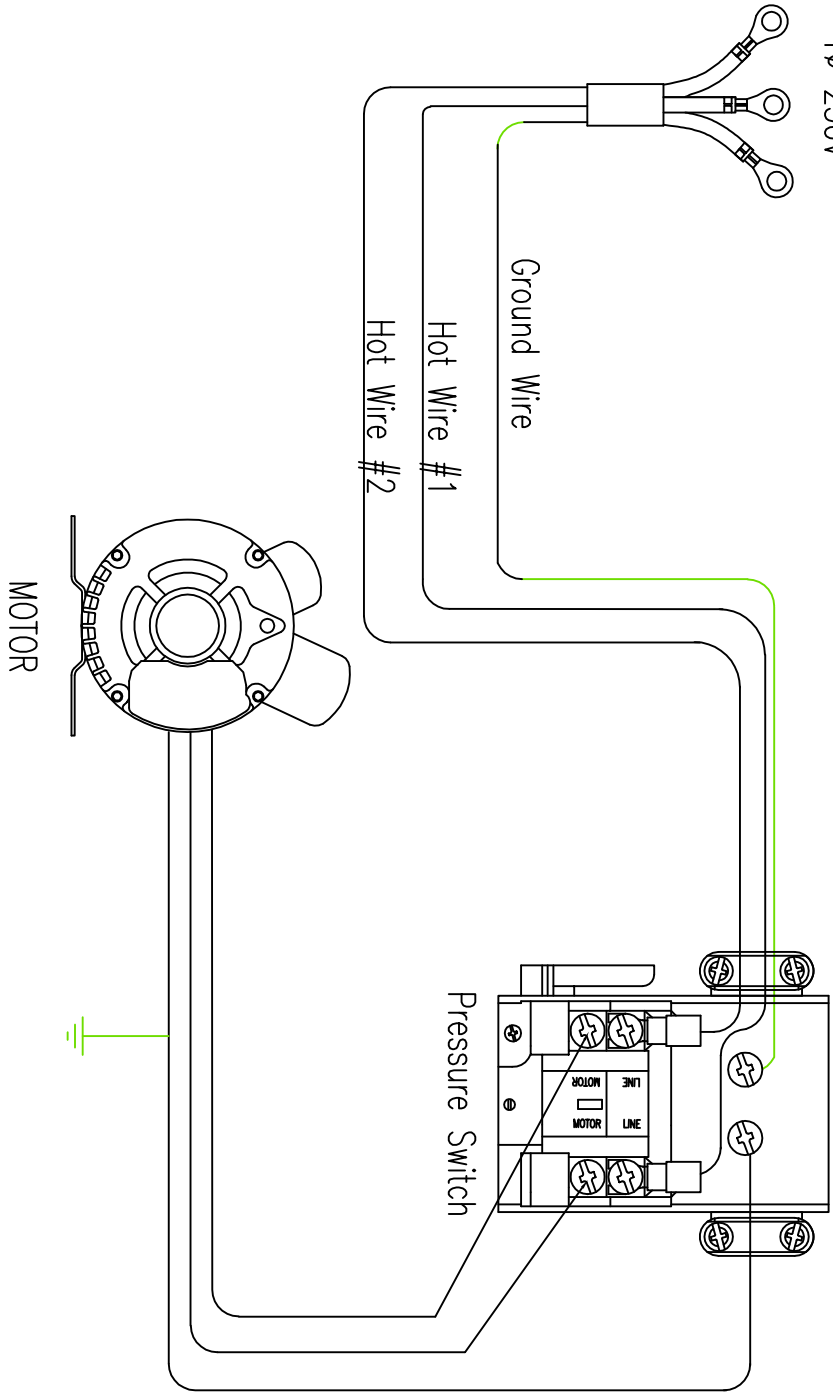
# Wiring Diagram

Instructions:

1. Connect Hot Wire #1 to any one of two LINE position in the switch.
2. Connect Hot Wire #2 to another LINE position in the switch.
3. Connect GROUND wire to any one of two GROUND position in the switch.

Power Source

1 ∅ 230V



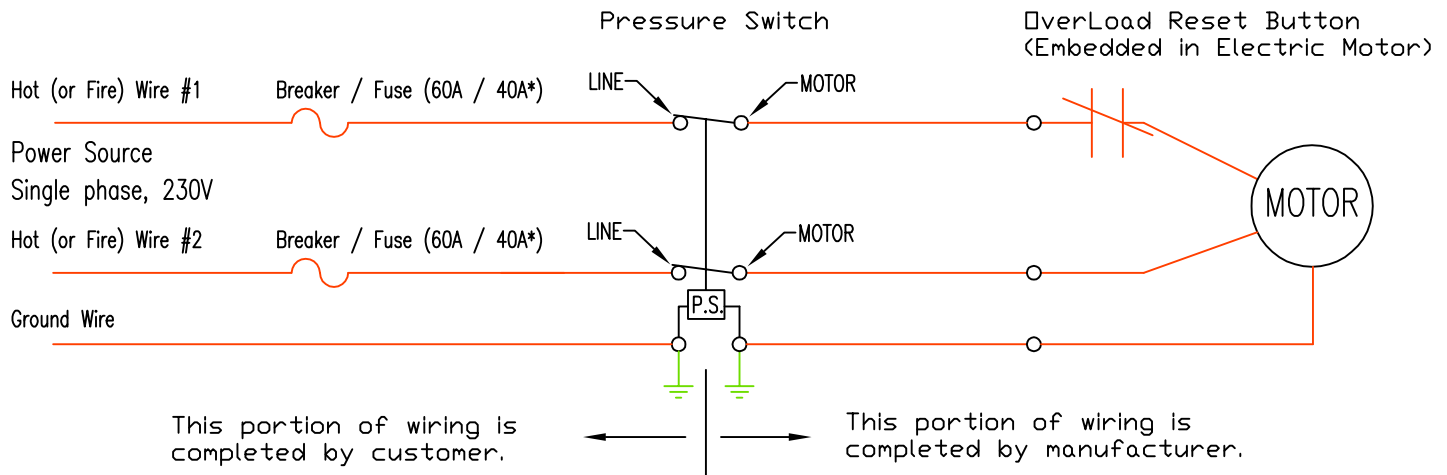
Warning: This diagram is for your reference only. Please check with a qualified electrician or serviceman for wiring to meet your local electrical wiring code.

Manufacturer assumes no responsibility for changes to factory wiring.

Warning: This diagram is for your reference only. Please check with a qualified electrician for wiring to meet your local electrical wiring code.

Manufacturer assumes no responsibility for changes to factory wiring.

Electrical Circuit Diagram:



\* The breaker size (trip rating) for Circuit Breaker is suggested at 60A. For Fusible Switch (Melting Style), the 40A dual element time delay fuses are suggested. For correct rating of Breaker and Switch, please consult with a qualified electrician.

\*\* Minimum COPPER wire size : AWG12 (AWG10 is recommended.) The maximum wire length allowed: 10ft. when measured from breaker/switch (power source) to pressure switch (on unit).

\*\*\* Voltage: Single Phase 208~230V only. The voltage must be maintained at this range (208V~230V) through out entire compressor operation (from start to stop). Voltage drops below 208V or rises beyond 230V will result in pressure switch and motor failures.