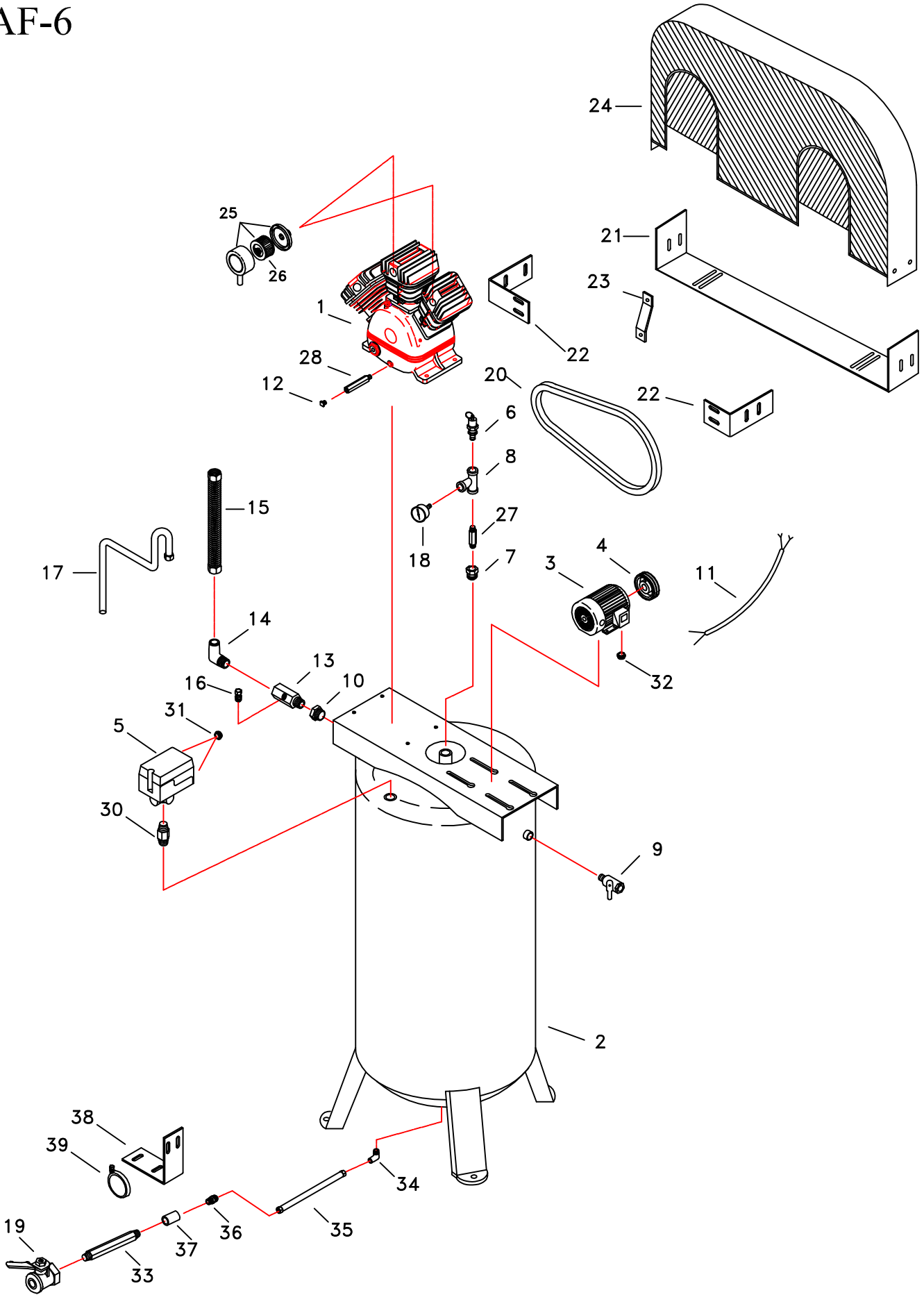
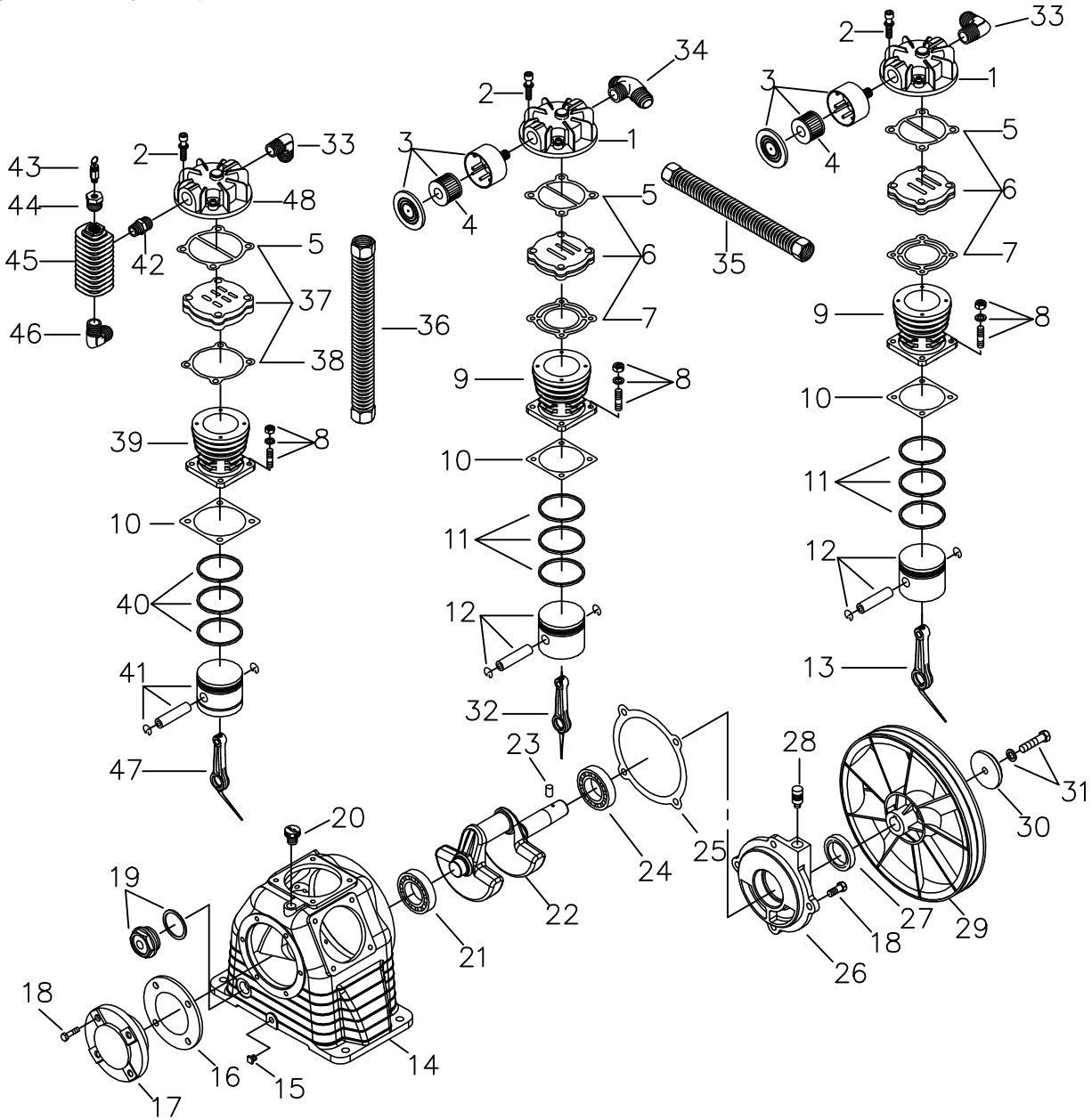


AF-6



REF. NO.	ITEM NUMBER	DESCRIPTION	QTY.
1	CT40	PUMP	1
2	4001-80V	TANK	1
3	4027-50-41	MOTOR	1
4	2BH88	PULLEY	1
4	048A-H11SS-000	PULLEY BUSHING	1
5	056-LF175P1-M01	PRESSURE SWITCH	1
6	84006010	PRESSURE RELIEF VALVE	1
7	050-06MN02FN	BUSHING	1
8	067-02FFFNB-00	TEE	1
9	2413007	SERVICE VALVE	1
10	050-20MN04FN	BUSHING	1
11	025K-A10W3X690	CABLE	1
12	2N33-002	PLUG	1
13	CV1212M	CHECK VALVE	1
14	2N06-04T04H	ELBOW	1
15	3B2-04540	DISCHARGE TUBE SET	1
16	035-02RN01MN-00	NIPPLE	1
17	063-CU01X865	UNLOADING TUBE	1
18	2D12-20D20K	PRESSURE GAUGE	1
19	2413020N	DRAIN VALVE	1
20	2N31-A64	V-BELT	1
21	3427202	BELT GUARD BOTTOM COVER	1
22	3427028	BRACKET	2
23	3427015	BRACKET - CENTER	1
24	3426024	BELT GUARD	1
25	2140020A	AIR FILTER ASSEMBLY	2
26	1807	FILTER ELEMENT	2
27	035-02NX30-R00	NIPPLE	1
28	2305010	OIL DRAIN TUBE	1
30	035-02NX10-H00	NIPPLE	1
31	025A-03N-000	WIRE CLAMP	2
32	025A-10N-000	WIRE CLAMP	1
33	2N01-008	NIPPLE	1
34	024-03RN02MN-00	ELBOW	1
35	063-NL03X280	SOFT TUBE	1
36	035-03RN02MN-00	NIPPLE	1
37	077-02N-000	COUPLING	1
38	3427008	BRACKET	1
39	063C-M51-001	CLAMP	1

MODEL : CT40



SPARE PARTS LIST

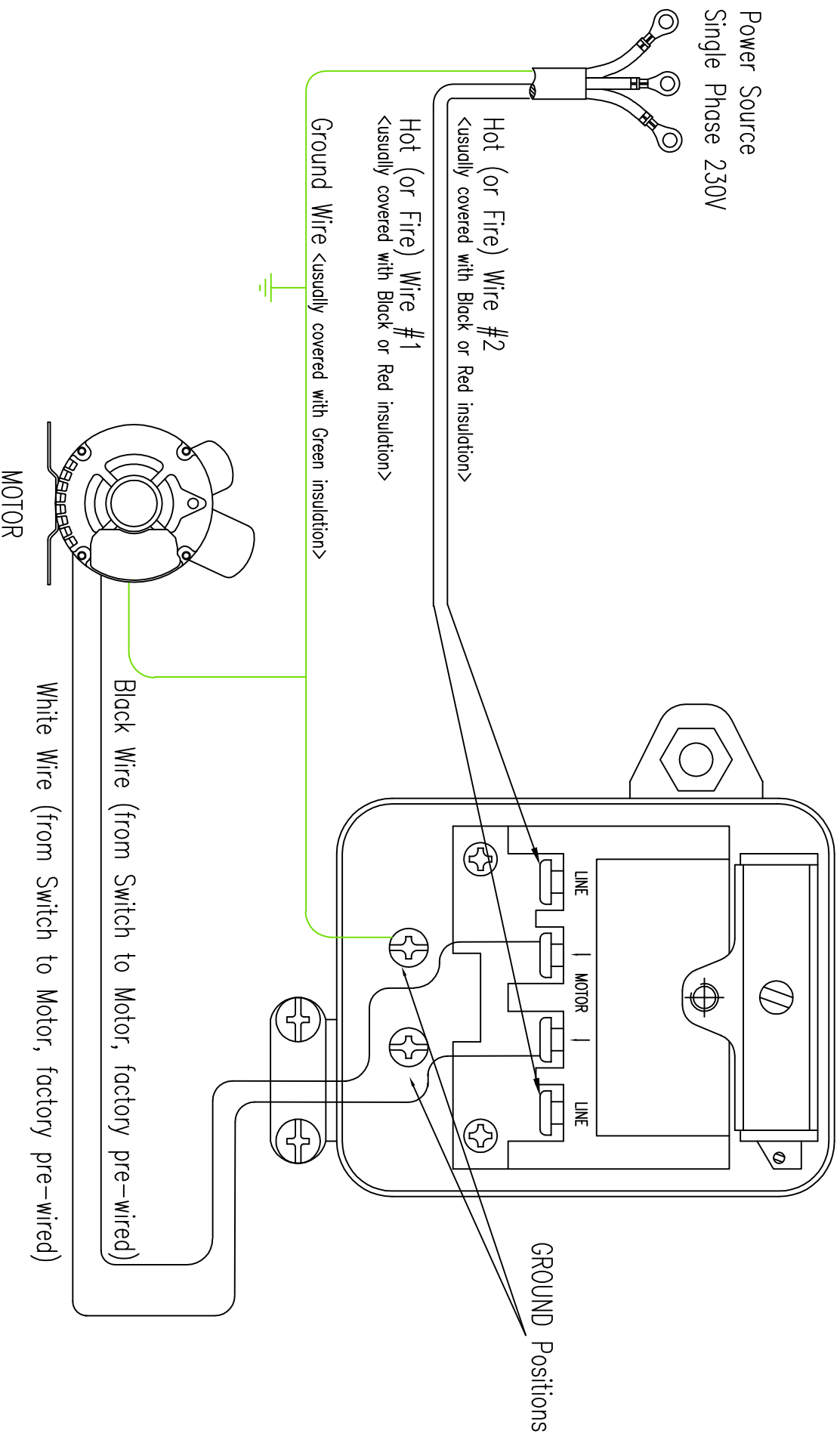
NO: MP-0611

REF. NO.	DESCRIPTION	PART NO.	QTY	REF. NO.	DESCRIPTION	PART NO.	QTY
1	Cylinder head	3101084A	2	25	Rear bearing end gasket	2G06-008	1
2	Allen bolt set	2B01-M06*040V	12	26	Rear bearing end	3311034	1
3	Air filter set	2140020A	2	27	Oil seal	2N50-TC24*47*07	1
4	Filter element	2142013	2	28	Breather	2321008	1
5	Cylinder head gasket	2G01-015	3	29	Pulley	3PBF-125A124	1
6	In. & Ex. valve assembly	3B13-K5065	2	30	Fender washer	2B30-08*35*35	1
7	Valve seat gasket	2G03-010	2	31	Hex bolt set	2B00-SM08*035AV	1
8	Stud screw set	2B11-001-A	12	32	Rod set	3B33-CT30M	1
9	Cylinder	3201083	2	33	Discharge elbow	2N06-04T04H	2
10	Cylinder gasket	2G04-003	3	34	Three way manifold	2N09-04H04T04H2	1
11	Piston ring set	3B32-CK3065	2	35	Discharge tube set	3B2-04*205	1
12	Piston set	3B31-CK3065	2	36	Discharge tube set	3B2-04*400	1
13	Rod set	3B33-CT30L	1	37	In. & Ex. valve assembly	3B13-K5051	1
14	Crankcase	3301121	1	38	Valve seat gasket	2G03-011	1
15	Oil draining plug	2N33-002	1	39	Cylinder	3201082	1
16	Front cover gasket	2G05-020	1	40	Piston ring set	3B32-CK2051	1
17	Front cover	3309041	1	41	Piston set	3B31-CT4051H	1
18	Hex bolt	2B00-SM08*020	8	42	Nipple	2N01-04T04T	1
19	Oil sight gauge set	2303014A	1	43	Pressure relief valve	2406020T	1
20	Oil filling plug set	2319003A	1	44	Bushing	2N02-002	1
21	Bearing	2N35-6205	1	45	Intercooler	3125007	1
22	Crankshaft & balancer	3304101	1	46	Discharge elbow	2N06-06T04H	1
23	Pulley key	2N47-63*09	1	47	Rod set	3B33-CT40H	1
24	Bearing	2N35-6205Z	1	48	Cylinder head	3101090A	1

Wiring Diagram For Model: TE-6580V

Instructions:

1. Connect Hot Wire #1 to any one of two LINE position in the switch.
2. Connect Hot Wire #2 to another LINE position in the switch.
3. Connect GROUND wire to any one of two GROUND position in the switch.



Warning: This diagram is for your reference only. Please check with a qualified electrician or serviceman for wiring to meet your local electrical wiring code. Manufacturer assumes no responsibility for changes to factory wiring.