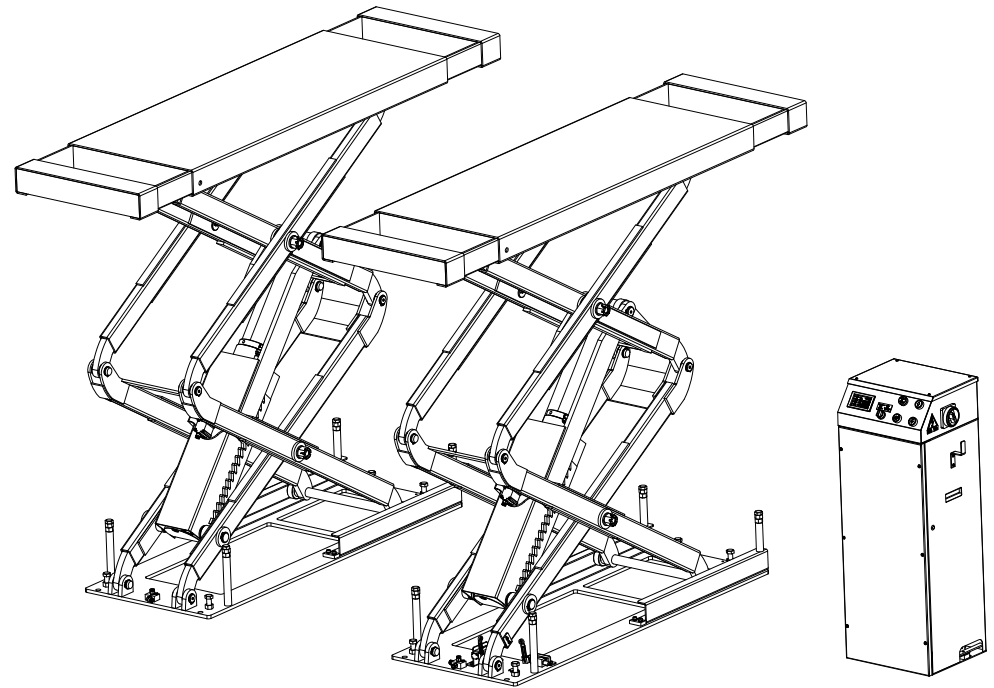
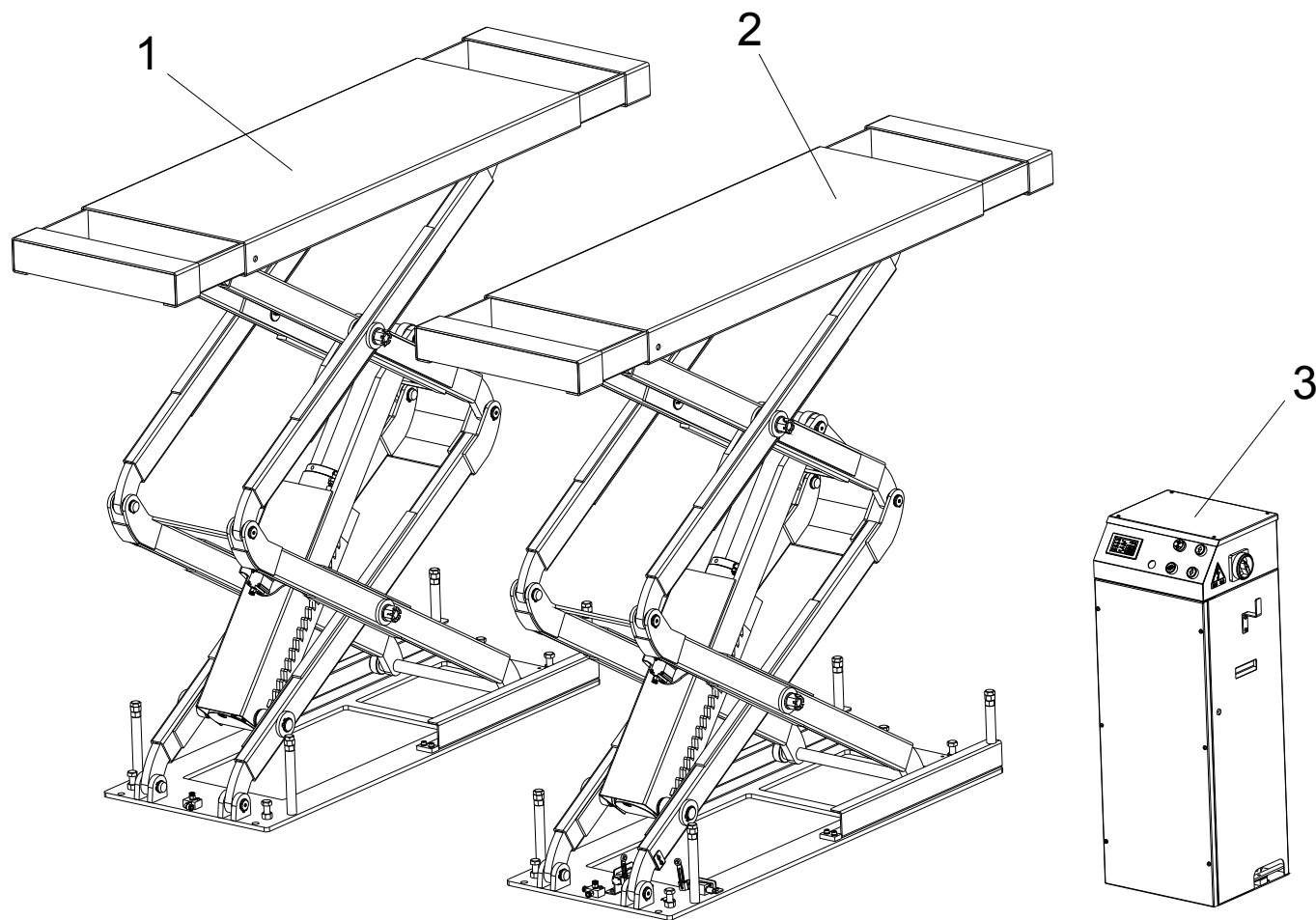




ED. 03/2017

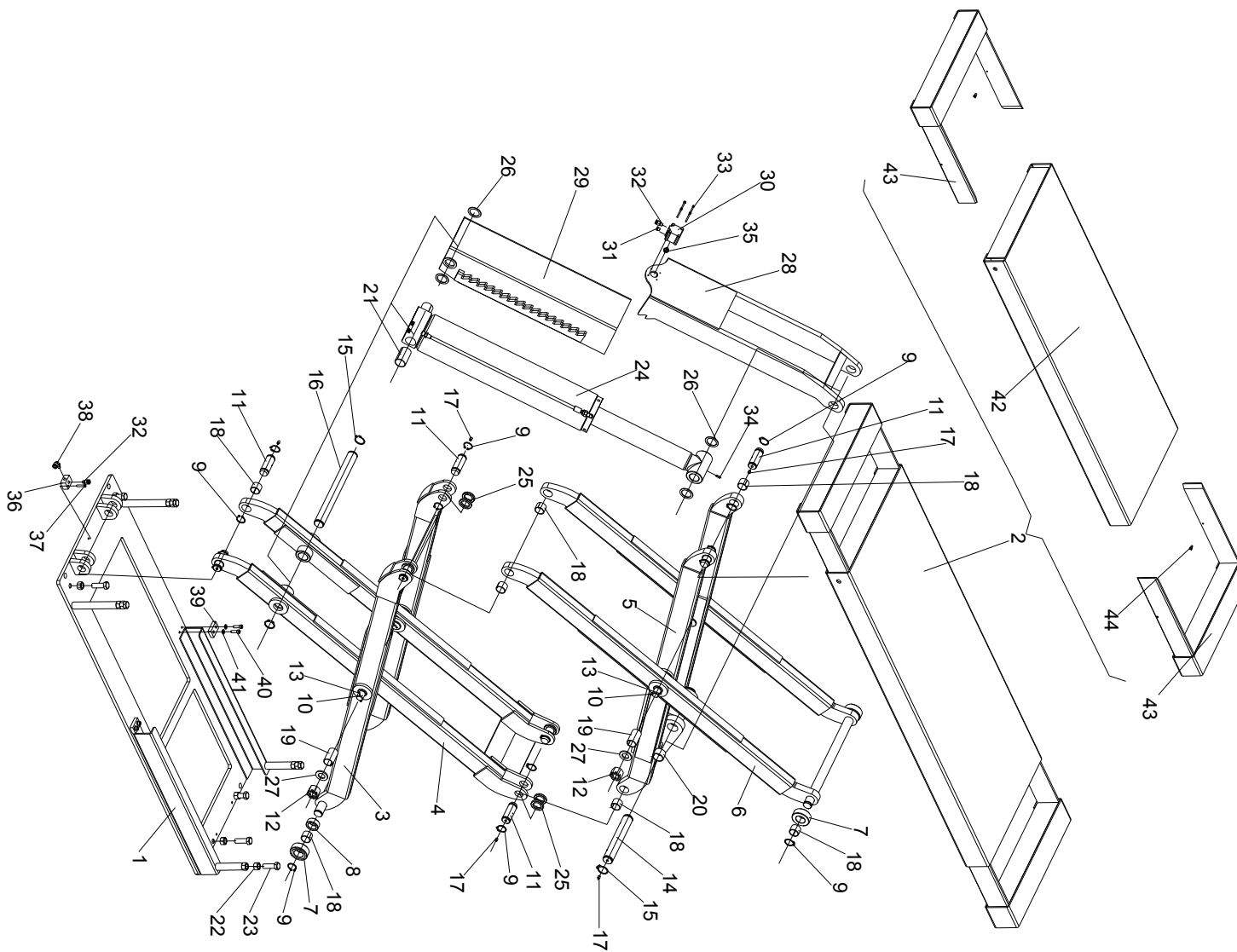
PART CATALOGUE
FM9SL
SCISSOR LIFT





TAV.0	LIFT	ED. 03/17
-------	------	-----------

ITEM	PART NO.	DESCRIPTION	QTY	REMARK
1	J32T010000	Runway P1	1	
2	J32T020000	Runway P2	1	
3	7335D03000	Control unit	1	

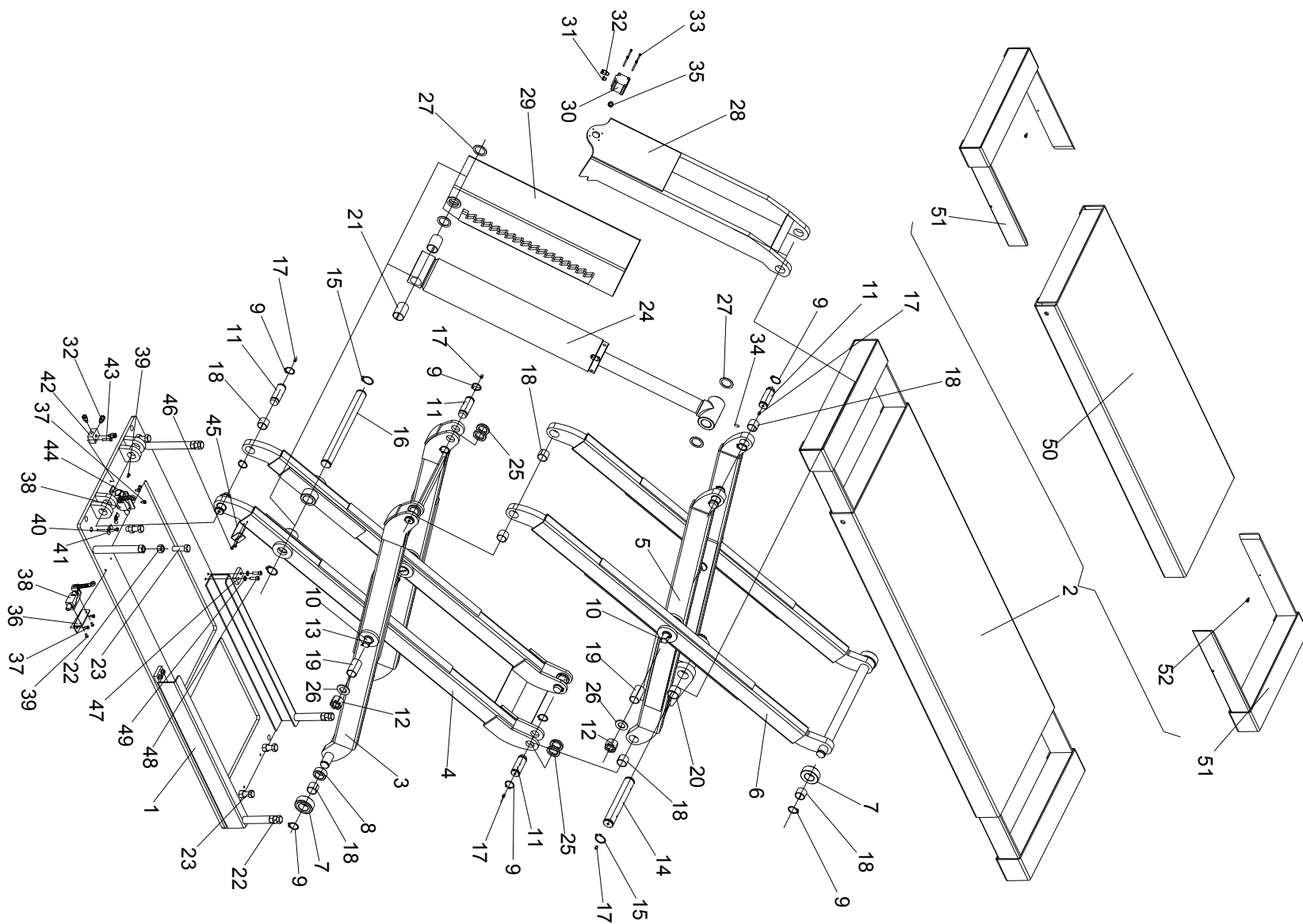


TAV.1.0	RUNWAY P1	ED. 03/17
---------	-----------	-----------

ITEM	PART NO.	DESCRIPTION	QTY	REMARK
1	J32A100000	Base	1	
2	J32T200000	Table assembly	1	
3	J32A310000	Inferior outer scissor	1	
4	J32A321000	Inferior inner scissor	1	
5	J32A330000	Superior inner scissor	1	
6	J32A340000	Superior outer scissor	1	
7	GJ300-400001	Wheel	4	
8	GJ300-400002	Lower wheel spacer	2	
9	0212021	Seeger D.30- GB/T894.2	20	
10	GJ300-400003	Middle shaft	4	
11	GJ300-400004	Shaft	8	
12	0204023	Split nut M24 - GB/T6178	4	
13	0213018	Split pin 2.5X40 – GB/T91	4	
14	GJ300-400006	Cylinder upper shaft	1	
15	0212022	Seeger D.35- GB/T894.2	4	
16	GJ300-400007	Cylinder lower shaft	1	
17	0215022	Grease 8X10	14	
18	0210013	Self-lubricated bush 3024	12	
19	0210018	Self-lubricated bush 3055	4	
20	0210022	Self-lubricated bush 3525	2	
21	0210028	Self-lubricated bush 3560	2	
22	0203025	Nut M16	8	
23	0201103	Screw M16X50- GB/T5781	8	
24	J32AY12000	Master hydraulic cylinder	1	
25	GJ300-400008	Steel shim 1	8	
26	GJ300-400009	Steel shim 2	4	
27	0205023	Washer D.24- GB/T95	4	

TAV.1.0	RUNWAY P1	ED. 03/17
---------	-----------	-----------

28	J32A510000	Upper safety rack	1
29	J32A521100	Lower safety rack	1
30	0306010	Safety air cylinder 32X23	1
31	0306087	Silencer 1/8	1
32	0306045	Quick union 8-1/8	2
33	0202010	Screw M4X50 - GB/T70.1	4
34	0209035	Screw M6X16	1
35	0511228	Nylon head M8X10	1
36	GJ300-800002	Air divider	1
37	0201019	Screw M6X30- GB/T5781	1
38	0306033	90° union 8-1/8	1
39	J32A110101	Wheel limit	2
40	0202047	Screw M8X25 - GB/T70.1	4
41	0205008	Washer D.8 - GB/T97.1	4
42	J32T210000	Table	1
43	J32A220000	Pull plate	2
44	0202030	Screw M6X10 - GB/T70.1	4



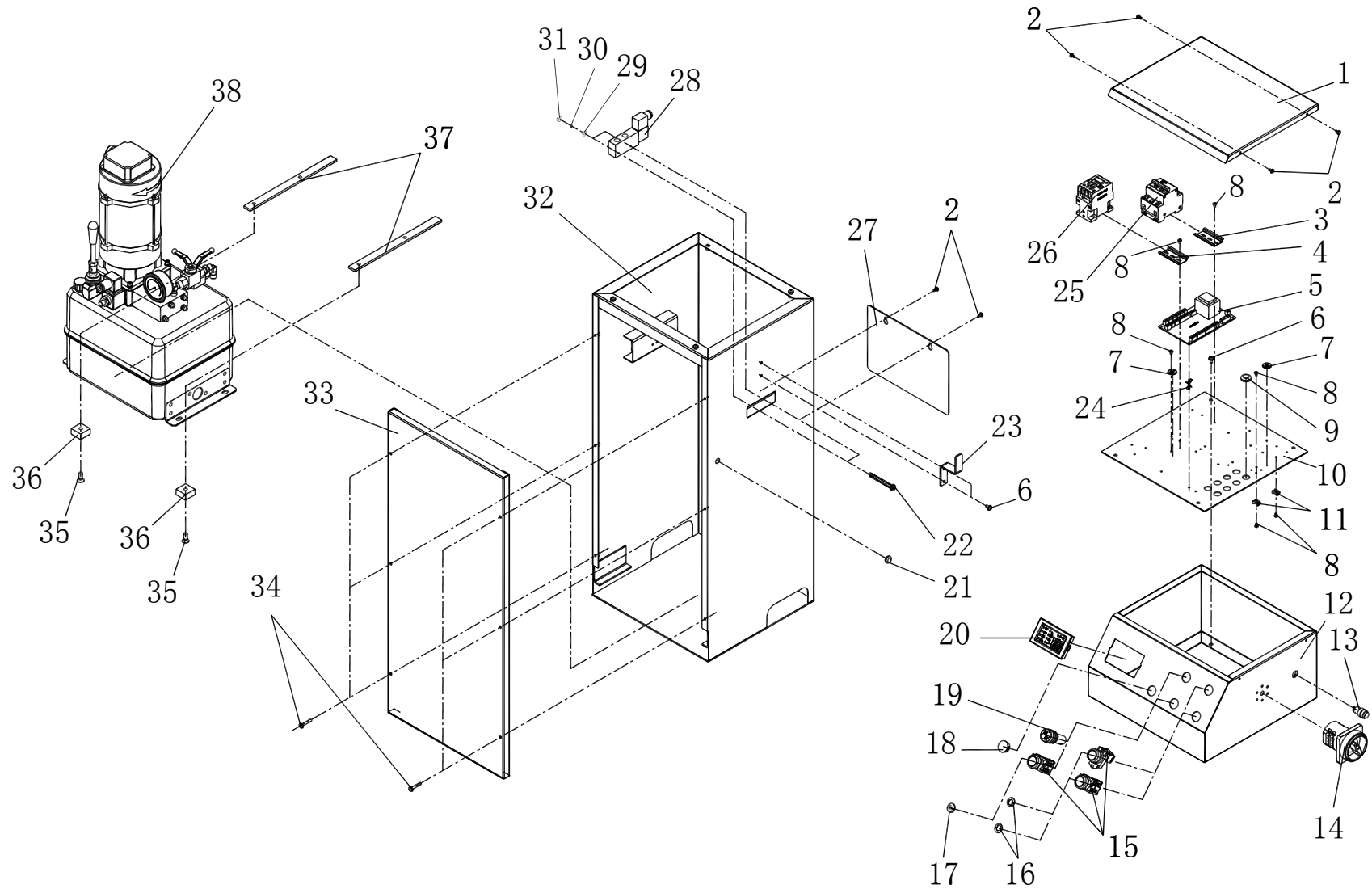
TAV.1.0

RUNWAY P1

ED. 03/17

ITEM	PART NO.	DESCRIPTION	QTY	REMARK
1	J32A100000	Base	1	
2	J32T200000	Table assembly	1	
3	J32A310000	Inferior outer scissor	1	
4	J32A321000	Inferior inner scissor	1	
5	J32A330000	Superior inner scissor	1	
6	J32A340000	Superior outer scissor	1	
7	GJ300-400001	Wheel	4	
8	GJ300-400002	Lower wheel spacer	2	
9	0212021	Seeger D.30- GB/T894.2	20	
10	GJ300-400003	Middle shaft	4	
11	GJ300-400004	Shaft	8	
12	0204023	Split nut M24 - GB/T6178	4	
13	0213018	Split pin 2.5X40 – GB/T91	4	
14	GJ300-400006	Cylinder upper shaft	1	
15	0212022	Seeger D.35- GB/T894.2	4	
16	GJ300-400007	Cylinder lower shaft	1	
17	0215022	Grease 8X10	14	
18	0210013	Self-lubricated bush 3024	12	
19	0210018	Self-lubricated bush 3055	4	
20	0210022	Self-lubricated bush 3525	2	
21	0210027	Self-lubricated bush 3550	2	
22	0203025	Nut M16	8	
23	0201103	Screw M16X50- GB/T5781	8	
24	J32AY10000	Slave hydraulic cylinder	1	
25	GJ300-400008	Steel shim 1	8	
26	0205023	Washer D.24- GB/T95	4	
27	GJ300-400009	Steel shim 2	4	

28	J32A510000	Upper safety rack	1
29	J32A522100	Lower safety rack	1
30	0306010	Safety air cylinder 32X23	1
31	0306087	Silencer 1/8	1
32	0306045	Quick union 8-1/8	4
33	0202010	Screw M4X50 - GB/T70.1	4
34	0209035	Screw M6X16	1
35	0511228	Nylon head M8X10	1
36	GJ300-800101	Switch support	1
37	0202030	Screw M6X10 - GB/T70.1	4
38	0505018	Limit switch 8108	2
39	0206024	Screw M5X10 - GB/T818	4
40	2L-75	U bolt	2
41	0206036	Screw M6X8- GB/T818	2
42	GJ300-800101	Switch support	1
43	0201019	Screw M6X30- GB/T5781	1
44	J32A800201	Switch support	1
45	J32A800202	Limit plate	1
46	0206030	Screw M5X8 - GB/T818	2
47	J32A110101	Wheel limit	2
48	0202047	Screw M8X25 - GB/T70.1	4
49	0205008	Washer D.8 - GB/T97.1	4
50	J32T210000	Table	1
51	J32A220000	Pull plate	2
52	0202030	Screw M6X10 - GB/T70.1	4

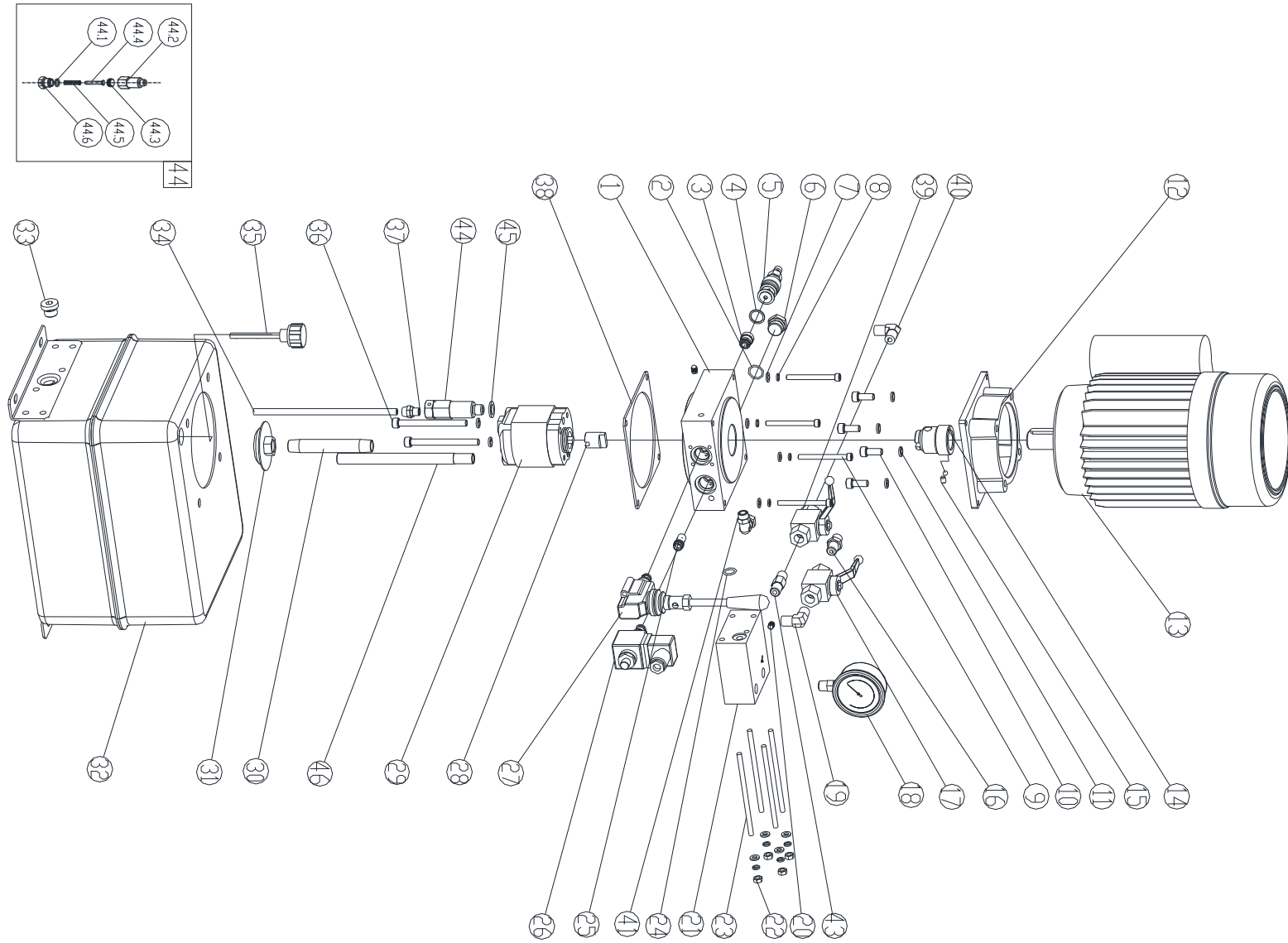


TAV.3.0	CONTROL UNIT	ED. 03/17
---------	--------------	-----------

ITEM	PART NO.	DESCRIPTION	QTY	REMARK
1	J04A030002	Top cover	1	
2	0206059	Screw M4X8	6	
3	0508330	Guide DZ47- L=80mm	1	
4	0508330	Guide DZ47- L=60mm	1	
5	0507367	CPU board 102.1	1	
6	0206058	Screw M5X10	6	
7	0510380	Grounding decal	2	
8	0206019	Screw M4X6 - GB/T818	10	
9	0508017	Cable relief GM-2314	8	
10	J04A110001	Support	1	
11	0508018	Holder HC-1(Φ4)	2	
12	J04A113000	Upper box	1	
13	0502017	Pushbutton LA16Y-11-Y	1	
14	0505022	Power switch HZ5-2-20A	1	
15	0502024	Pushbutton LAY37T-10	3	
16	0510196	UP decal	2	
17	0510196	Safety lock decal	1	
18	0508019	Plug HP-22	1	
19	0502021	Beeper AD16-22SM	1	
20	0507163	Function display 502D	1	
21	0508013	Cable relief GM-1710	1	
22	0206006	Screw M3X35 - GB/T818	2	
23	3002002009	Cable holder	1	
24	0508302	Holder HDB-16A	4	
25a	0501066	Breaker DZ47-63/3P-D16A	1	
25b	0501074	Breaker DZ47-63/2P/D32A	1	
26	0501001	AC contactor CJX2-1210(AC220V)	1	

TAV.3.0	CONTROL UNIT	ED. 03/17
---------	--------------	-----------

27	3054503904	Back cover	1
28	0306177	Solenoid air valve G1/4 3V210-08-AC220V	1
29	0205001	Washer D.3 - GB/T97.1/3	2
30	0208001	Washer D.3 - GB/T93/3	2
31	0203001	Nut M3 - GB52	2
32	J04A031000	Lower box	1
33	J04A030003	Front cover	1
34	0206028	Screw M5X25	6
35	0207019	Screw M8X20 - GB/T819.1	4
36	3032084008	Rubber pad	4
37	3002005001	Support	2
38	BZ-W4LY	Hydraulic power unit	1

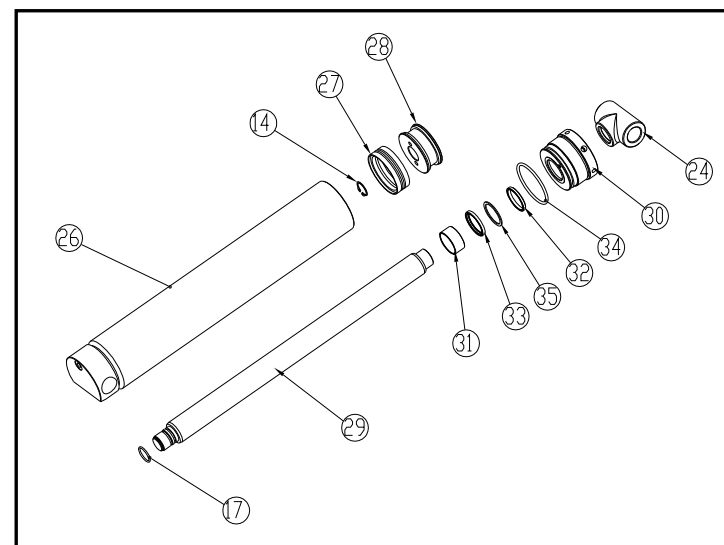
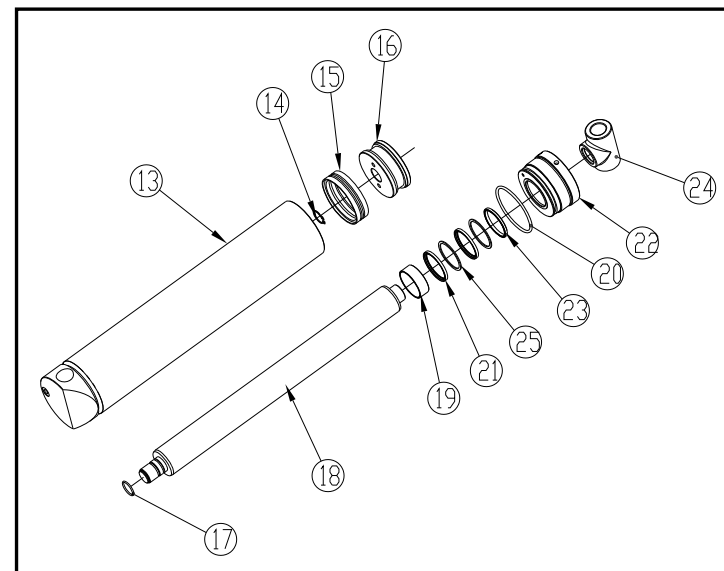
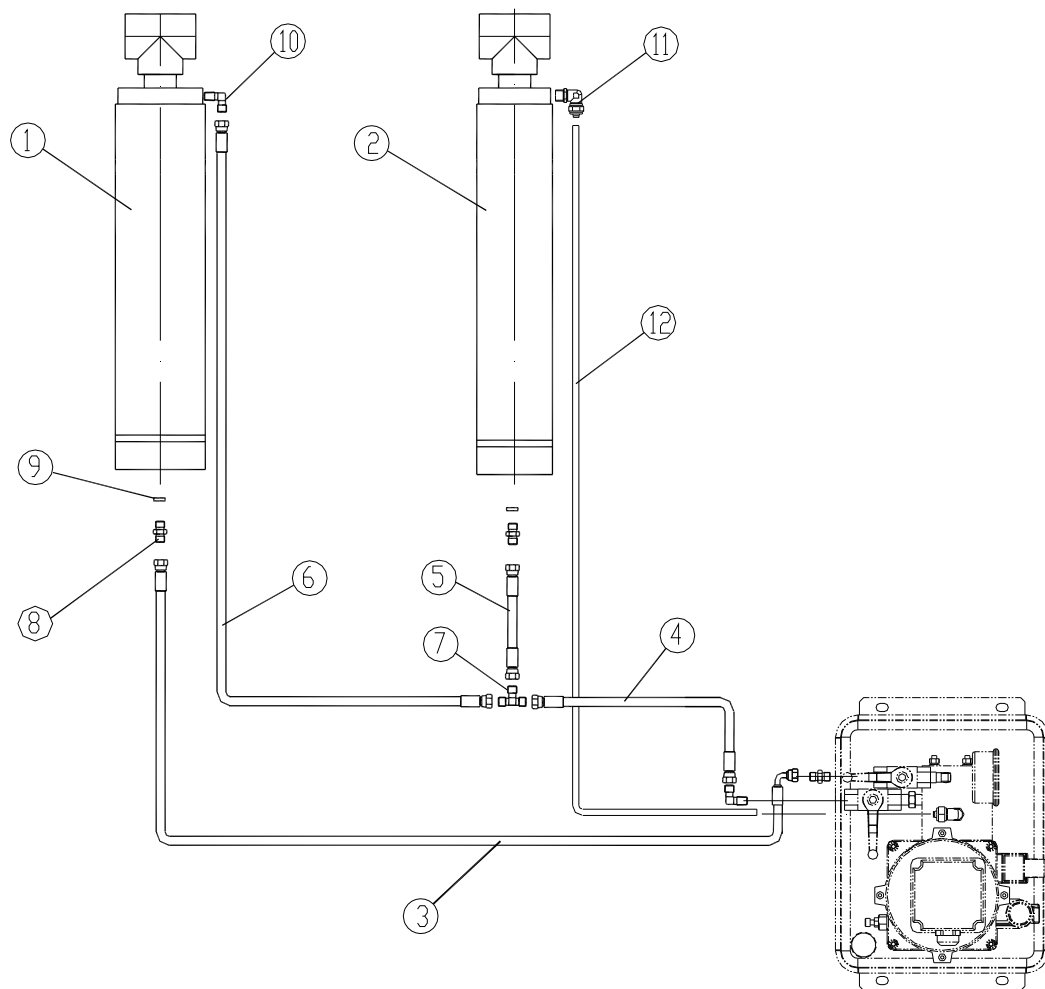


TAV.3.1	HYDRAULIC POWER UNIT	ED. 03/17
---------	----------------------	-----------

ITEM	PART NO.	DESCRIPTION	QTY	REMARK
1	BZ-ZB-W4	Manifold	1	
2	0309054	O-ring 17X2	1	
3	0307067	Non return valve GDF-06-07-00	1	
4	0313057	Copper washer 16X20	1	
5	0307010	Pressure overload valve FYF06-01-00	1	
6	BZ-SD-01	Plug	1	
7	0205006	Washer D.6 - GB/T97.1	8	
8	0208005	Spring washer D.6 - GB/T93	8	
9	0202036	Screw M6X65 - GB/T70.1	4	
10	0202045	Screw M8X20 - GB/T70.1	4	
11	0208006	Spring washer D.8 - GB/T93	6	
12	BZ-DJ-1B	Motor flange	1	
13	0509092	Motor 220V/60Hz/1PH 2.2KW	1	
14	BZ-ZT24	Motor joint	1	
15	0209042	Screw M6X8 - GB/T80	1	
16	0303063	Union 1/4 1BT-04SP	1	
17	0307041	Leveling cutoff cock 1/4 BKH224-DN06-G1/4	1	
18	0305054	Pressure gauge LA-60X400	1	
19	0303031	90° union 1/4 1T9-04SP	1	
20	0305001	Plug ZBJ22 007-QD07	2	
21	BZ-W-YL	Interface block	1	
22	0203004	Nut M6-GB52	4	
23	0213045	Double-screw bolt M6X120-GB/T901	4	
24	0309019	O-ring 18X2.4 - GB1235	1	
25	0307006	Lowering speed control valve BLF06-02-00/Φ2.5	1	
26	0307049	Lowering solenoid valve (AC220V)	1	
27	0301034	Manual pump QTHB-14	1	

TAV.3.1	HYDRAULIC POWER UNIT	ED. 03/17
---------	----------------------	-----------

28	BZ-BJ25	Pump joint	1	
29	0301041	Gear pump 1.6CC	1	For 1PH /60Hz motor
30	BZ-G18X110	Oil suction pipe	1	
31	0305010	Oil filter ZG3/8" ZF-08	1	
32	HK2-0200	Oil tank	1	
33	0305018	Plug 4BN-06WD G3/8	1	
34	0306097	Rilsan hose 8X5 L=190	1	
35	0305026	Oil level plug 3/8	1	
36	0202053	Screw M8X90 - GB/T70.1	2	
37	0306069	Rotation union 8-1/8	1	
38	BZ-F-01	Gasket	1	
39	0307041	Leveling cutoff cock 1/4 BKH224-DN06-G1/4	1	
40	0303002	90° union 1/4 1BT9-04SP	1	
41	0306067	Union Φ10 ZG1-4	1	
42	BZ-G14X200	Oil return pipe	1	
43	0303060	Union 1T-04SPL	1	
44	BZ-HC2-0	Startup valve	1	For 1PH motor
44.1	BZ-HC-6	Seal Φ16XΦ9X2.5	1	For1PH motor
44.2	BZ-HC2-1	Valve body	1	For 1PH motor
44.3	BZ-HC-2	Valve piston	1	For 1PH motor
44.4	BZ-HC2-3	Valve pin	1	For 1PH motor
44.5	BZ-HC2-4	Spring	1	For 1PH motor
44.6	BZ-HC2-5	Valve back cover	1	For 1PH motor



TAV.35	HYDRAULIC CYLINDERS	ED. 03/17
--------	---------------------	-----------

ITEM	PART NO.	DESCRIPTION	QTY	REMARK
1	J32AY12000	Master hydraulic cylinder	1	
2	J32AY10000	Slave hydraulic cylinder	1	
3	7330-ZW4900	Hydraulic hose L=4900	1	
4	7330-ZZ3160	Hydraulic hose L=3160	1	
5	7330-ZZ320	Hydraulic hose L=320	1	
6	7335-ZZ2320	Hydraulic hose L=2320	1	
7	0303021	Tee union 1/4(AB-04)	1	
8	0303065	Union 1/4 (1B-04)	2	
9	0313001	Washer 1/4	2	
10	0303002	90° union 1/4(1BT9-04SP)	1	
11	0306067	90° union 10-1/4	1	
12	0306109	Rilsan hose 10X6.5 L=4500	1	
13	J32AY12100	Master cylinder liner	1	
14	0212007	Seeger D.32 – GB/T894.1	2	
15	0312030	Gasket 120X106X22.5	1	
16	YF638002	Piston	1	
17	0309027	O-ring 38X3.1 – GB1235	2	
18	J32AY12802	Cylinder shaft	1	
19	0305006	Guide ring 67X25X2.5	1	
20	0309086	O-ring 112X5.3 – GB3452.1	1	
21	0310019	Seal 67X77X6	2	
22	J32AY12801	Cylinder guiding cover	1	
23	0311013	Scraper 67X75X5	1	
24	GJ350-120A-1	Shaft support	2	
25	J32AY12803	Sealing ring	2	
26	J32AY10100	Slave cylinder liner	1	
27	0312032	Gasket 100X86X22.5	1	

28	YF658003	Piston	1
29	J32AY10802	Cylinder shaft	1
30	J32AY10801	Cylinder guiding cover	1
31	0305006	Guide ring 50X25X2.5	1
32	0311010	Scraper 50X58X5	1
33	0310015	Seal 50X50X6	1
34	0309080	O-ring 92.5X5.3 – GB3452.1	1
35	J32AY10803	Sealing ring	1