

INSTALLATION & OPERATION MANUAL



Atlas TD6MR 6,000 lb. Capacity Portable Scissor Lift



Atlas Automotive Equipment
www.atlasautoequipment.com
(866) 898-2604

Read this entire manual before operation begins.

Record below the following information which is located on the serial number data plate.

Serial No. _____

Model No. _____





Date of Installation _____

———— Contents ————

General Information.	5
Product Identification	8
Packing, Transport, Storage	9
Product Description	10
Technical Specification.	11
Safety	16
Installation	19
Operation And Use	23
Maintenance	25
Troubleshooting.	27
Parts List	28
Warranty	37

Printing Characters And Symbols

Throughout this manual, the following symbols and printing characters are used to facilitate reading:

	Indicates the operations which need proper care
	Indicates prohibition
	Indicates a possibility of danger for the operators
	Indicates the direction of access for motor vehicles to the lift
BOLD TYPE	Important information

	WARNING: before operating the lift and carrying out any adjustment, read carefully chapter 7 "installation" where all proper operations for a better functioning of the lift are shown.
---	--

General Information

This chapter contains warning instructions to operate the lift properly and prevent injury to operators or objects. This manual has been written to be used by shop technicians in charge of the lift (operator) and routine maintenance technician (maintenance operator). The operating instructions are considered to be an integral part of the machine and must remain with it for its whole useful life. Read every section of this manual carefully before operating the lift and unpacking it since it gives helpful information about:

- **safety of people**
- **safety of the lift**
- **safety of lifted vehicles**

The company is not liable for possible problems, damage, accidents, etc., resulting from failure to follow the instructions contained in this manual. Only skilled technicians of AUTHORIZED DEALERS or SERVICE CENTERS AUTHORIZED by the manufacturer shall be allowed to carry out lifting, transport, assembling, installation, adjustment, calibration, settings, extraordinary maintenance, repairs, overhauling and dismantling of the lift.

The manufacturer is not responsible for possible damage to people, vehicles or objects if said operations are carried out by unauthorized personnel or the lift is improperly used.

Any use of the machine made by operators who are not familiar with the instructions and procedures contained herein shall be forbidden.

1.1 Manual Keeping

For a proper use of this manual, the following is recommended:

- keep the manual near the lift, in an easily accessible place.
- keep the manual in an area protected from the damp.
- use this manual properly without damaging it.
- Any use of the machine made by operators who are not familiar with the instructions and procedures contained herein shall be forbidden.

This manual is an integral part of the lift: it shall be given to the new owner if and when the lift is resold.

1.2 Obligation In Case Of Malfunction



In case of machine malfunction, follow the instructions contained in the following chapters.

1.3 Cautions For The Safety Of The Operator

Operators must not be under the influence of sedatives, drugs or alcohol when operating the machine.



Before operating the lift, operators must be familiar with the position and function of all controls, as well as with the machine features shown in the chapter "Operation and use"

1.4 Warnings



Unauthorized changes and/or modifications to the machine relieve the manufacturer of any liability for possible damages to objects or people. Do not remove or make inoperative the safety devices, this would cause a violation of safety at work laws and regulations.



Any other use which differs from that provided for by the manufacturer of the machine is strictly forbidden.



The use of non genuine parts may cause damage to people or objects

DECLARATION OF WARRANTY AND LIMITATION OF LIABILITY

The manufacturer has paid proper attention to the preparation of this manual. However, nothing contained herein modifies or alters, in any way, the terms and conditions of manufacturer agreement by which this lift was acquired, nor increase, in any way, manufacturer's liability to the customer.

TO THE READER

Every effort has been made to ensure that the information contained in this manual is correct, complete and up-to date. The manufacturer is not liable for any mistakes made when drawing up this manual and reserves the right to make any changes due the development of the product, at any time.

Product Identification

The identification data of the machine are shown in the label placed on the control unit.

LOGO	
Type:
Model:
Serial Number:
Year of manufacturing:
Capacity:
Voltage:
Power:

	Use the above data both to order spare parts and when getting in touch with the manufacturer (inquiry). The removal of this label is strictly forbidden.
---	---

Machines may be updated or slightly modified from an aesthetic point of view and, as a consequence, they may present different features from these shown, this without prejudicing what has been described herein.

2.1 Warranty Certificate

The warranty is valid for a period of 12 months starting from the date of the purchase invoice. The warranty will come immediately to an end when unauthorized modifications to the machine or parts of it are carried out. The presence of defects in workmanship must be verified by the Manufacturer's personnel in charge.

2.2 Technical Servicing

For all servicing and maintenance operations not specified or shown in these instructions, contact your Dealer where the machine has been bought or the Manufacturer's Commercial Department. Only skilled personnel who are familiar with the lift and this manual shall be allowed to carry out packing, lifting, handling, transport and unpacking operations.

Packing, Transport, Storage

3.1 Packing

The packing of the lift is delivered in following components:

- N. 1 base units packed in a steel frame, wrapped up in non-scratch material
- N. 1 portable power unit packed in a plywood box, including N. 4 rubber pads

The average weight of the package is 600kg.

3.2 Lifting And Handling

When loading/unloading or transporting the equipment to the site, be sure to use suitable loading (e.g. cranes, trucks) and hoisting means. Be sure also to hoist and transport the components securely so that they cannot drop, taking into consideration the package's size, weight and center of gravity and it's fragile parts.



Hoist and handle only one package at a time

3.3 Storage And Stacking Of Packages

Packages must be stored in a covered place, out of direct sunlight and in low humidity, at a temperature between -10°C and $+40^{\circ}\text{C}$. Stacking is not recommended: the package's narrow base, as well as its considerable weight and size make it difficult and hazardous.

3.4 Delivery And Check Of Packages

When the lift is delivered, check for possible damages due to transport and storage; verify that what is specified in the manufacturer's confirmation of order is included. In case of damage in transit, the customer must immediately inform the carrier of the problem. Packages must be opened paying attention not to cause damage to people (keep a safe distance when opening straps) and parts of the lift (be careful the objects do not drop from the package when opening).

Product Description

Lift Description (Ref. Figure 1)

This portable lift has been designed for the lifting of motor-vehicles for maintenance. The maximum lifting weight is as specified on the serial plate. All mechanical frames, such as platforms, extensions, base frames and arms have been built in steel plate to make the frame stiff and strong while keeping a low weight. The electro hydraulic operation is described in detail in chapter 8.

This chapter describes the lift's principal elements, allowing the user to be familiar with the machine. As shown in figure 1, the lift is composed of a frame (1), N.4 lifting arms (2), N.2 pair of scissors (3) and N.2 cylinders (4), can be movable by means of wheels (5). The lifting and lowering motion is carried out by operation of the lifting button and the lowering lever on the control unit (6). The mechanical safety (7) operating manually is installed between 2 cylinders.

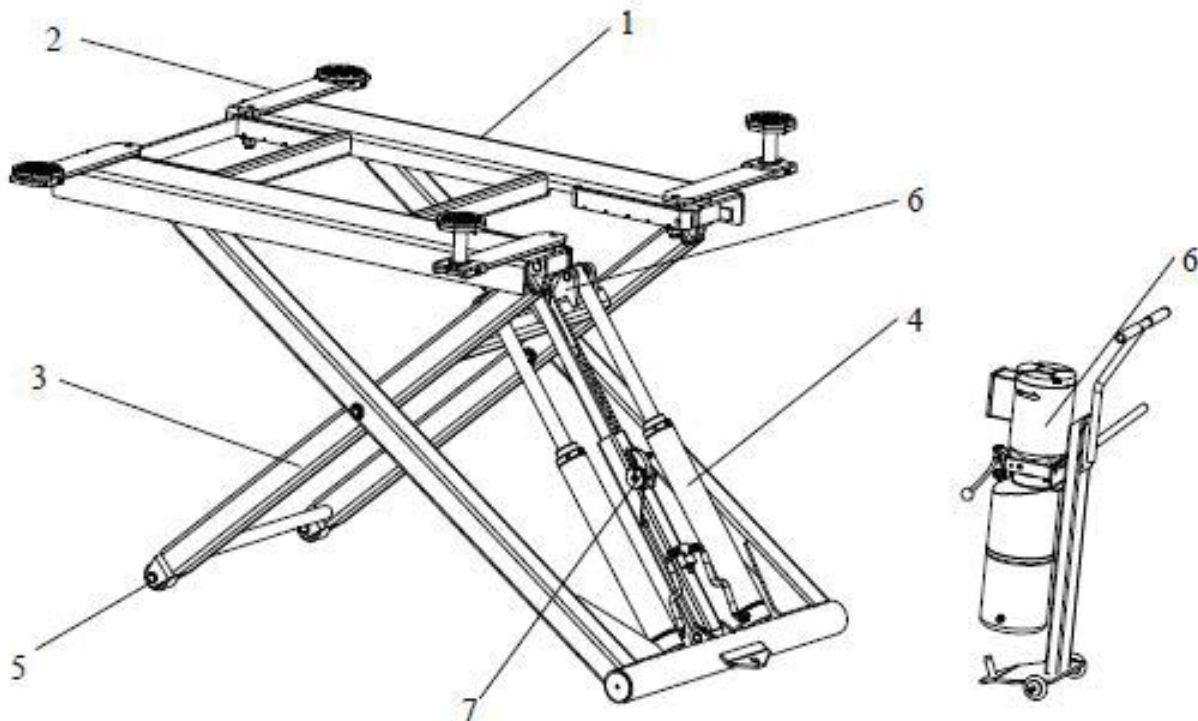


Figure 1 – Lift

Technical Specification

5.1 Size And Main Features (Ref. Figure 2)

Capacity	6000 LBS
Max. lifting height	51 1/3"
Min. lowered height	6"
Max. length between lifting pads	68 7/8"
Max. width between lifting pads	54 1/3
Lifting time	60s
Lowering time	40s
Noise level	80 dB(A)/1m
Working temperature	-10 °C ÷ 40 °C
Average weight of package	1100 lb

5.2 Electric Motor

Voltage	110V-1Ph
Power	2.2 KW
N° Poles	4
Speed	1700 rpm
Motor enclosure type	B14
Insulation class	IP 54

Motor connection must be carried out referring to the attached wiring diagrams (figure 5). The motor direction of rotation is shown in the label placed on the motor. Before use of the lift, make sure to check if the motor specification shown in the nameplate of the motor conforms to the local electric supply. If there is over 10% fluctuation on the electrical power supply, it is suggested to use the voltage stabilizer to protect the electrical components and system from overloading.

5.3 Pump

Type	Gear
Flow rate	2.1 cm ³ /g
Continuous working pressure	230 bar – 250bar

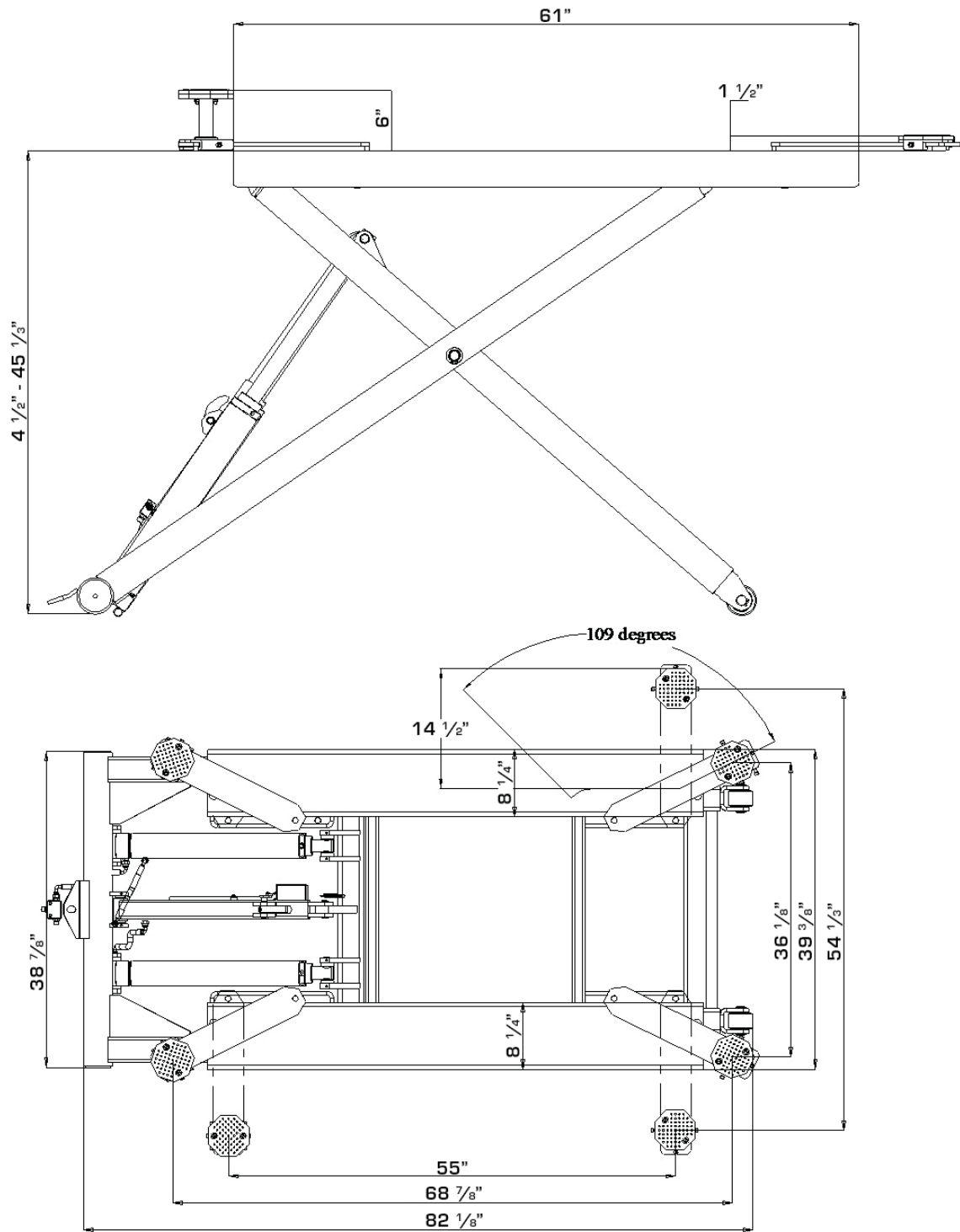


Figure 2 - Layout

5.4 Hydraulic Power Unit

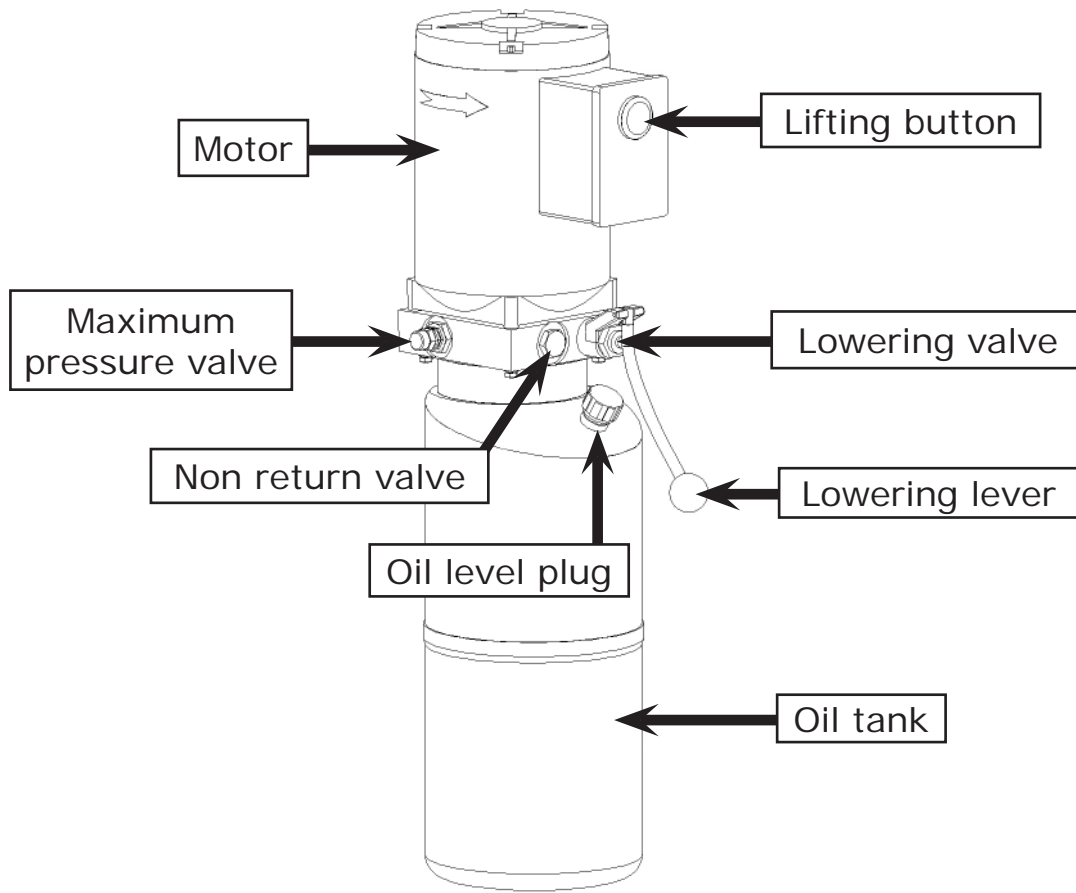


Figure 3 – Hydraulic Power Unit

5.5 Oil

Use wear proof oil for hydraulic drive, in conformity with *ISO 6743/4* rules (HM class). The oil with features similar to those shown in the table is recommended.

Test standards	Features	Value
ASTM D 1298	Density 20°C	0.8 kg/l
ASTM D 445	Viscosity 40°C	32 cSt
ASTM D 445	Viscosity 100°C	5.43 cSt
ASTM D 2270	Viscosity index	104 N°
ASTM D 97	Pour point	~ 30 °C
ASTM D 92	Flash point	215 °C
ASTM D 644	Neutralization number	0.5 mg KOH/g



Change hydraulic oil at 1 year intervals

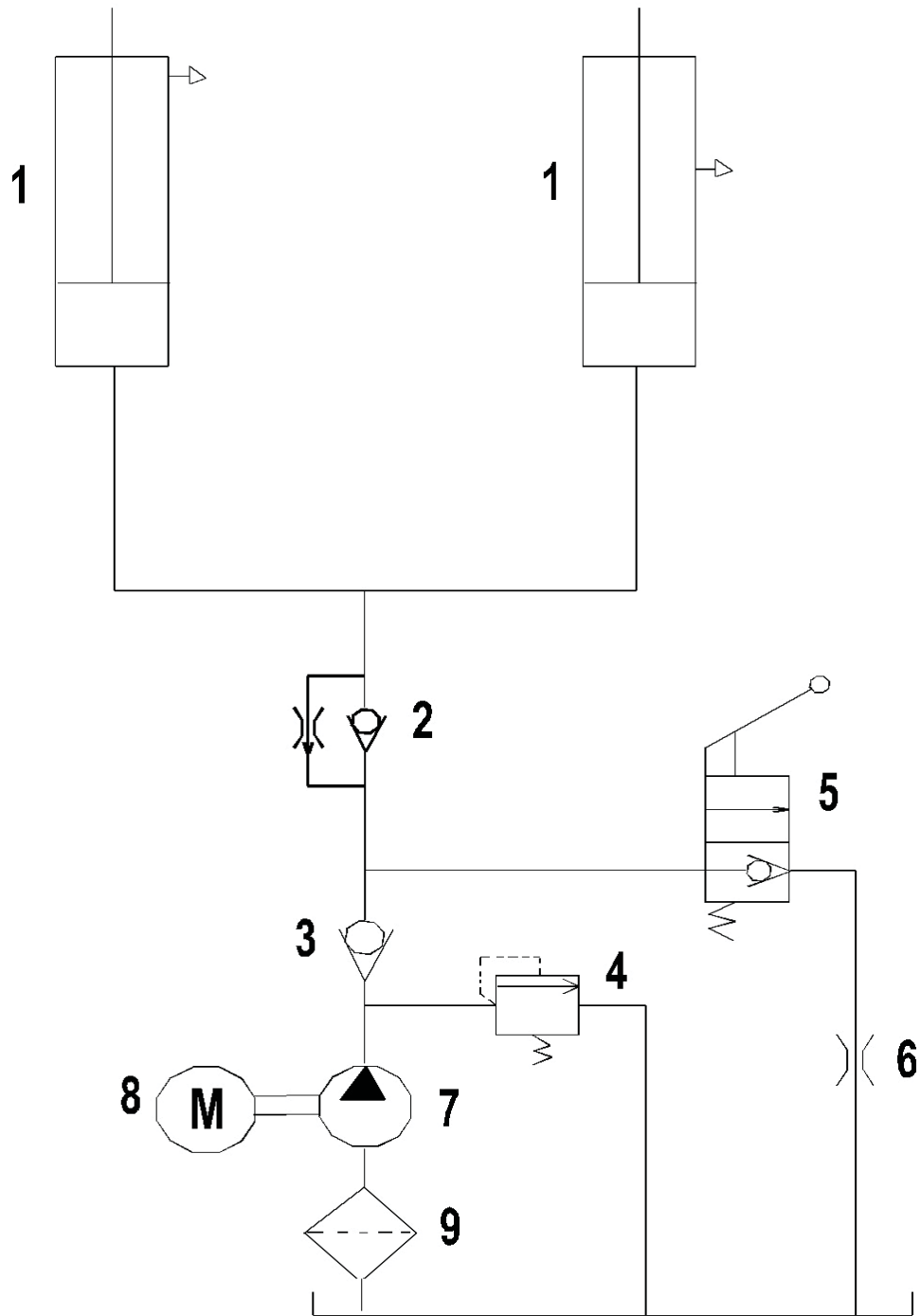


Figure 4 – Hydraulic Plan

1	Hydraulic cylinder	4	Maximum pressure valve	7	Gear pump
2	Safety valve	5	Manual lowering valve	8	Motor
3	Non return valve	6	Flow restrictor	9	Oil filter

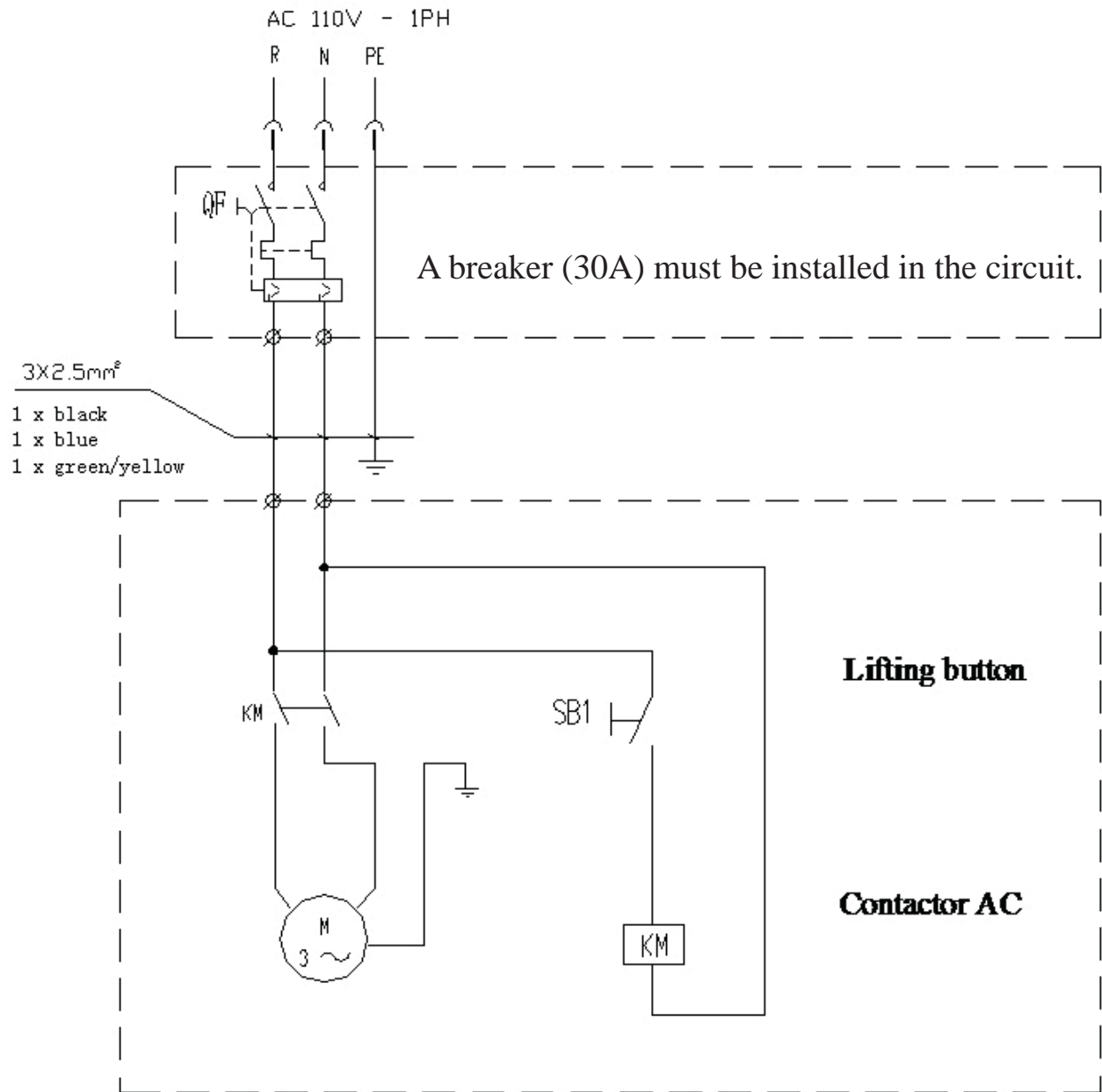



Figure 5 – Electrical Wiring Diagram (110V -1Ph)

Safety

Read this chapter carefully and completely because it contains important information for the safety of the operator and the person in charge of maintenance.

	<p>The lift has been designed and built for lifting vehicles and making them stand above level in a closed area. Any other use is forbidden.</p> <p>The manufacturer is not liable for possible damages to people, vehicles or objects resulting from an improper or unauthorized use of the lift.</p>
---	--

For operator and people safety, a safety area at least 1m free away from the lift must be vacated during lifting and lowering. The lift must be operated only from the operator's control site in this safety area.

Operator's presence under the vehicle, during working, is only admitted when the vehicle is lifted and platforms are not running.

	<p>Never use the lift when safety devices are off-line. People, the lift and the vehicles lifted can be seriously damaged if these instructions are not followed.</p>
---	--

6.1 General Warnings

The operator and the person in charge of maintenance must follow accident-prevention laws and rules in force in the country where the lift is installed

They also must carry out the following:

- neither remove nor disconnect hydraulic, electric or other safety devices;
- carefully follow the safety indications applied on the machine and included in the manual;
- observe the safety area during lifting;
- be sure the motor of the vehicle is off, the gear engaged and the parking brake put on;
- be sure only authorized vehicles are lifted without exceeding the maximum lifting capacity;
- Verify that no one is on the platforms during lifting or standing.

6.2 Risks During Vehicle Lifting

To avoid overloading and possible breaking, the following safety devices have been used:

- a maximum pressure valve placed inside the hydraulic unit to prevent excessive weight.
- a special design of the hydraulic system, in case of pipeline failure, to prevent sudden lift lowering.



The maximum pressure valve has been preset by the manufacturer to a proper pressure. DO NOT try to adjust it to overrun the rated lifting capacity.

6.3 Risks For People

All risks the personnel could run, due to an improper use of the lift, are described in this section.

6.4 Personnel Crushing Risks

During lowering of runways and vehicles, personnel must not be within the area covered by the lowering trajectory. The operator must be sure no one is in danger before operating the lift.

6.5 Bumping Risk

When the lift is stopped at relatively low height for working, the risk of bumping against projecting parts occurs.

6.6 Risk Of The Vehicle Falling From The Lift

Vehicle falling from the lift can be caused when the vehicle is improperly placed on platforms, and when its dimensions are incompatible with the lift or by excessive movement of the vehicle. In this case, keep immediately away from the working area.

6.7 Slipping Risks

The risk of slipping can be caused by oil or dirt on the floor near the lift.



Keep the area under and around the lift clean. Remove all oil spills.

6.8 Electrocutation Risks

Avoid use of water, steam, and solvent, varnish jets in the lift area where electric cables are placed and, in particular, next to the electric panel.

6.9 Risks Resulting From Improper Lighting

Make sure all areas next to the lift are well and uniformly lit, according to local regulations.

6.10 Risks Of Breaking Component During Operation

Materials and procedures, suitable for the designed parameters of the lift, have been used by the manufacturer to build a safe and reliable product. Operate the lift only for the use it has been designed for and follow the maintenance schedule shown in the chapter "Maintenance".

6.11 Risks For Unauthorized Uses

The presence of unauthorized persons next to the lift and on the platforms is strictly forbidden during lifting as well as when the vehicle has been already lifted.



Any use of the lift other than that herein specified can cause serious accidents to people in close proximity of the machine.

Installation



Only skilled technicians, appointed by the manufacturer, or by authorized dealers, must be allowed to carry out installation. Serious damage to people and to the lift can be caused if installations are made by unskilled personnel.

7.1 Checking For Place Suitability

The lift has been designed to be used in covered and sheltered places free of overhead obstructions. The working place must not be next to washing areas, painting workbenches, solvent or varnish deposits. The relevant standards of the local Health and Safety at Work regulations, for instance, with respect to minimum distance to wall or other equipment, escapes and the like, must be observed. All areas next to the lift must be well and uniformly lit.

7.2 Concrete Surface

The lift must be placed on the concrete surface sufficiently resistant. The surface must be suitable for bearing maximum stress values, also in unfavorable working conditions. The surface must be perfectly leveled.

7.3 Hydraulic System Connection

- Connect hydraulic hoses referring to the figure 12;
- Tighten fittings thoroughly.

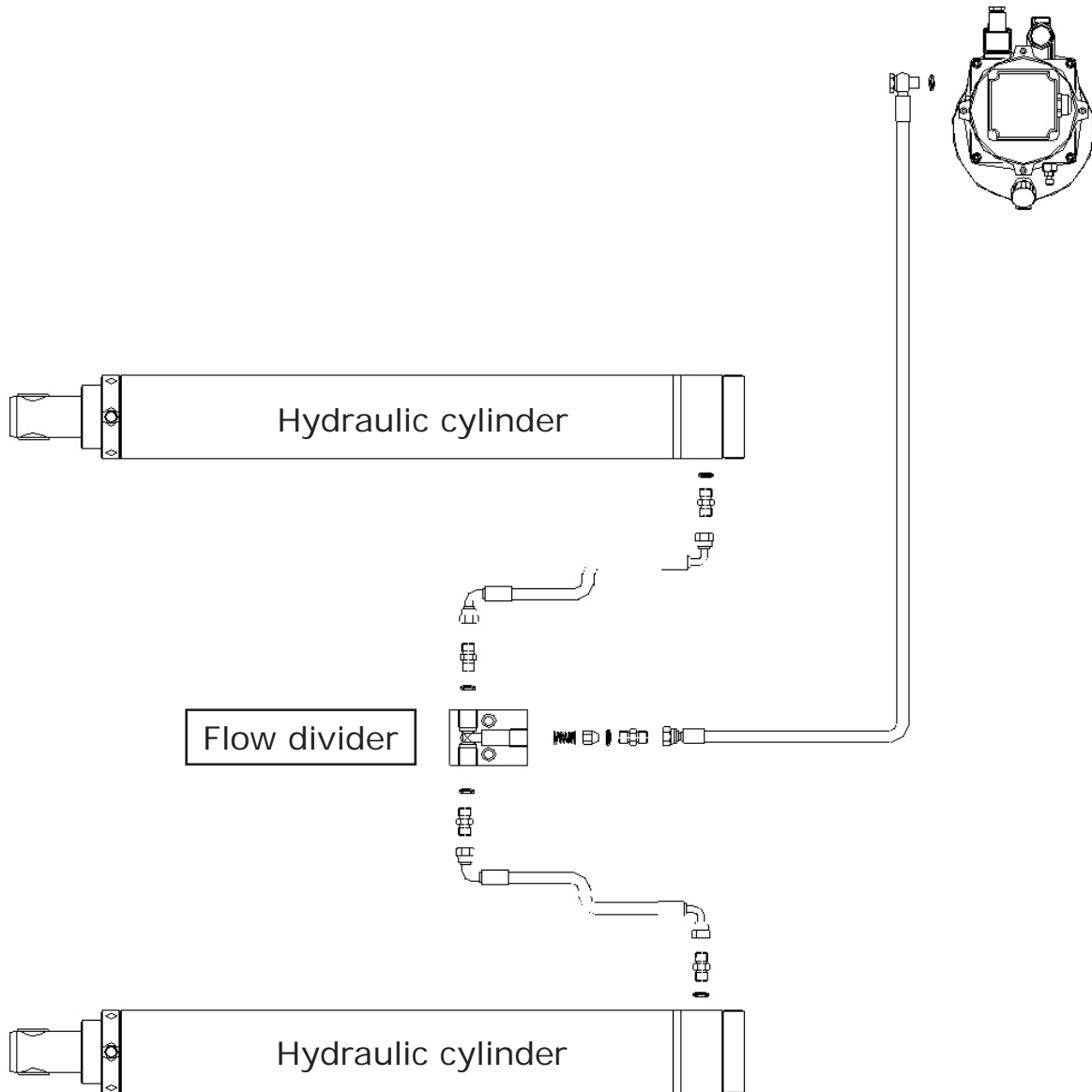


Figure 6 – Hydraulic Connections

7.4 Make The Electrical Hookup To Hydraulic Power Unit



The hookup work must be carried out by a qualified electrician.

Make sure that the power supply is right.

Make sure the connection of the phases is right. Improper electrical hook-up can damage motor and will not be covered under warranty.

DO NOT run the hydraulic unit with no oil. Damage to pump can occur.

The power unit must be kept dry.

- Fix the control panel onto the power-side column using the included screws.
- Make the electric hookup to the power unit referring to the attached the electric diagram figure 5 using the included electric cable.
- Make sure the connection of the phases is right and lift is grounded.

7.5 Start

- Make sure all pins and bolts to insure proper mounting
- Make sure the electrical system feeding voltage is equal to that specified in the nameplate on the motor
- Make sure the electric connections are in compliant with diagrams figure 5
- Make sure no leakage or blow-up in hydraulic line
- Make sure the working area is free from people and objects
- Grease sliding seats of blocks placed under platforms and on bases
- Pour oil in the tank (*about 5 liters more than one time*)
- Verify that the control unit is powered
- Verify that the motor direction of rotation is that shown on the label by pushing the lifting button. **IF MOTOR GETS HOT OR SOUNDS PECULIAR, STOP IMMEDIATELY AND RECHECK THE ELECTRIC CONNECTIONS**

7.6 Bleeding



Do not install the maximum working height limit switch before bleeding the hydraulic line.

During this procedure, DO NOT attempt to raise the lift with any load.

- Raising the lift slowly by pressing the lifting button until cylinders bottom out and the lift stops. DO NOT continue pressing button after lift reaches full height. Damage to motor can occur if continued.
- Lower the lift completely by pressing the lowering lever.
- Repeat raise and lower the lift completely at least 5 times to equalize the oil pressure in each cylinder.

7.7 Checks Less Load



During this procedure, observe all operating components and check for proper installation and adjustment. DO NOT attempt to raise vehicle until a thorough operation check has been completed.

Carry out two or three complete cycles of lowering and lifting and check:

- the safety devices for proper operation
- proper oil level in the tank
- no leakage and blow-by in hydraulic line
- cylinder for proper operation
- the lift for reaching its maximum height

7.8 Checking With Load



WARNING: please follow carefully the instructions in the coming paragraph for avoiding damages on the lift.

Carry out two or three complete cycles of lowering and lifting and check:

- Repeat the 7.7 section
- Check no strange noise during lifting and lowering

Operation And Use



Never operate the lift with any person or equipment below.

Never exceed the rated lifting capacity.

Always ensure that the lift safety is locked before any attempt is made to work on or near the vehicle.

Do not permit the power unit to get wet!

8.1 Controls

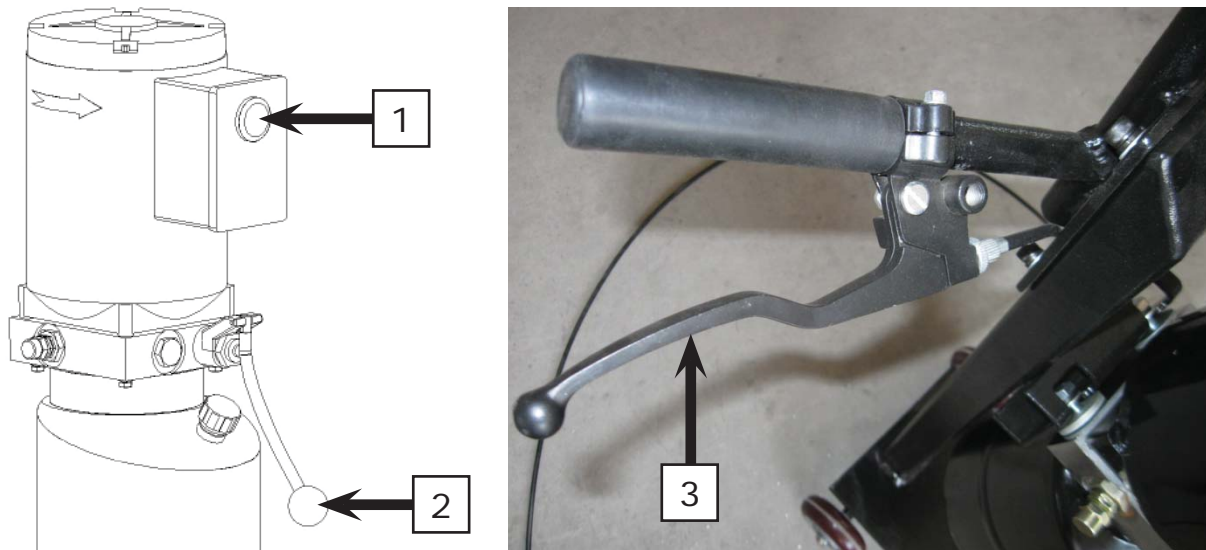


Figure 13 - Controls

Controls for operating the lift are:

LIFTING BUTTON (1)

- When pressed, the motor is powered to operate the hydraulic circuit to raise the lift.

LOWERING LEVER (2)

- When pressed, the hydraulic fluid is released from the cylinder to the oil tank: the lift starts to descend.

SAFETY RELEASE LEVER (3)

- When pressed, the mechanical safety is released.

8.2 To Raise The Lift

- Drive the vehicle at the center of the lift. Check to make sure that the vehicle is secured.
- Position the lifting arms and adaptors in the proper position indicated by the vehicle manufacturer;
- Press the lifting button to raise the vehicle;
- To rest the lift in standing position at the desired height by releasing the lifting button;
- Press the lowering lever to lower the lift to engage the mechanical safety;
- Always ensure that the lift rests on the safety before any attempt is made to work on or near the vehicle.

8.3 To Lower The Lift

- Be sure the safety area is free of people and objects;
- Raise the lift a little bit by pushing the lifting button to clear off the safety;
- Release the safety by operating the manual release lever;
- Continue pressing the lowering lever until the lift is lowered completely.

Maintenance



Only trained personnel who knows how the lift works, must be allowed to service the lift.

To service properly the lift, the following has to be carried out:

- use only genuine spare parts as well as equipment suitable for the work required;
- follow the scheduled maintenance and check periods shown in the manual;
- discover the reason for possible failures such as too much noise, overheating, oil blow-by, etc.

Refer to documents supplied by the dealer to carry out maintenance:

- functional drawing of the electric and hydraulic equipment
- exploded views with all data necessary for spare parts ordering
- list of possible faults and relevant solutions.



Before carrying out any maintenance or repair on the lift, disconnect the power supply, padlock the general switch and keep the key in a safe place to prevent unauthorized persons from switching on or operating the lift.

9.1 Ordinary maintenance

The lift has to be properly cleaned at least once a month using self-cleaning clothes. Lubricate all pivot pins at least once a week.



The use of water or inflammable liquid is strictly forbidden.

Be sure the rod of the hydraulic cylinders is always clean and not damaged since this may result in leakage from seals and, as a consequence, in possible malfunctions.

9.2 Periodic Maintenance

Every 3 months	Hydraulic circuit	<ul style="list-style-type: none"> • check oil tank level; refill with oil, if needed; • check the circuit for oil leakage. • check seals for proper conditions and replace them, if necessary;
	Foundation bolts	<ul style="list-style-type: none"> • check bolts for proper tightening
	Hydraulic pump	<ul style="list-style-type: none"> • verify that no noise changes take place in the pump when running and check fixing bolts for proper tightening
	Safety system	<ul style="list-style-type: none"> • check safety devices for proper operation
Every 6 months	Oil	<ul style="list-style-type: none"> • check oil for contamination or ageing. Contaminated oil is the main reason for failure of valves and shorter life of gears pumps
Every 12 months	General check	<ul style="list-style-type: none"> • verify that all components and mechanisms are not damaged
	Electrical system	<ul style="list-style-type: none"> • a check of the electrical system to verify that motor, limit switch and control panel operate properly must be carried out by skilled electricians
	Oil	<ul style="list-style-type: none"> • empty the oil tank and change the hydraulic oil

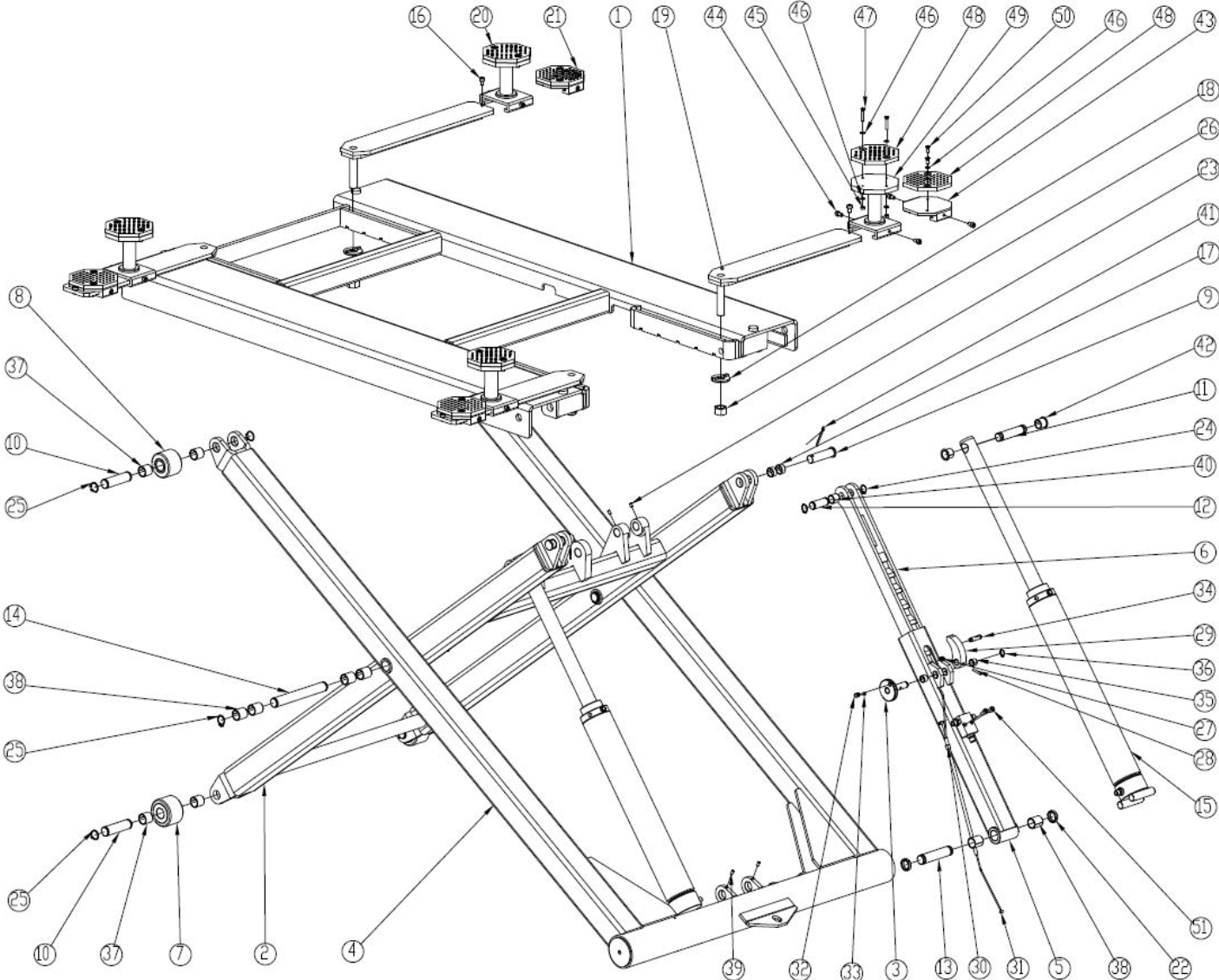
Troubleshooting

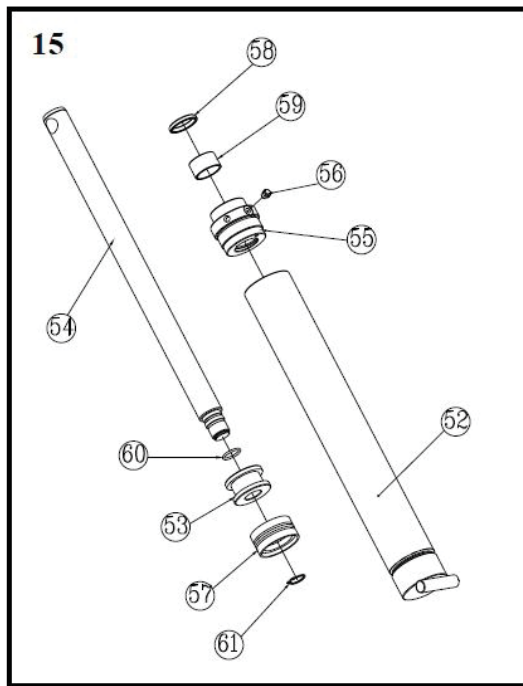
A list of possible troubles and solutions is given below.

Trouble:	Possible Cause:	Solution:
The lift does not work	The main switch is not turned on	Turn the switch on
	There is no power	Check Power on to restore if necessary
	The electrical wires are disconnected	Reconnect
	Fuses are blown	Replace
The lift does not raise	The motor direction of rotation is not correct	Interchange the two phases on the main switch
	The oil in the hydraulic unit is not sufficient	Add some hydraulic oil
	Presences of air in the hydraulic circuit	Bleed the hydraulic system
	The UP button is faulty	Check UP button and connection for proper operation. Replace, if needed
	The maximum pressure valve is faulty	Check and clean if dirty or replace if needed
	The lowering valve is faulty	Check and clean if dirty or replace if faulty
	The pump filter is dirty	Check and clean if needed.
	The pump suction is blown	Check the seal and replace if needed
The platforms are not leveled	Oil leakages in hydraulic circuit	Check the circuit for any leakage
The lift does not lower when the lowering lever is pressed	The lowering valve is faulty	Check and clean if dirty or replace if faulty
The lift does not lift or lower smoothly	Leakages or presences of air into hydraulic circuit	Bleed the hydraulic system
	The pump filter is dirty	Check and clean if needed
	The pump suction is blown	Check the seal and replace if needed

Parts List

Lift & Cylinder Illustration





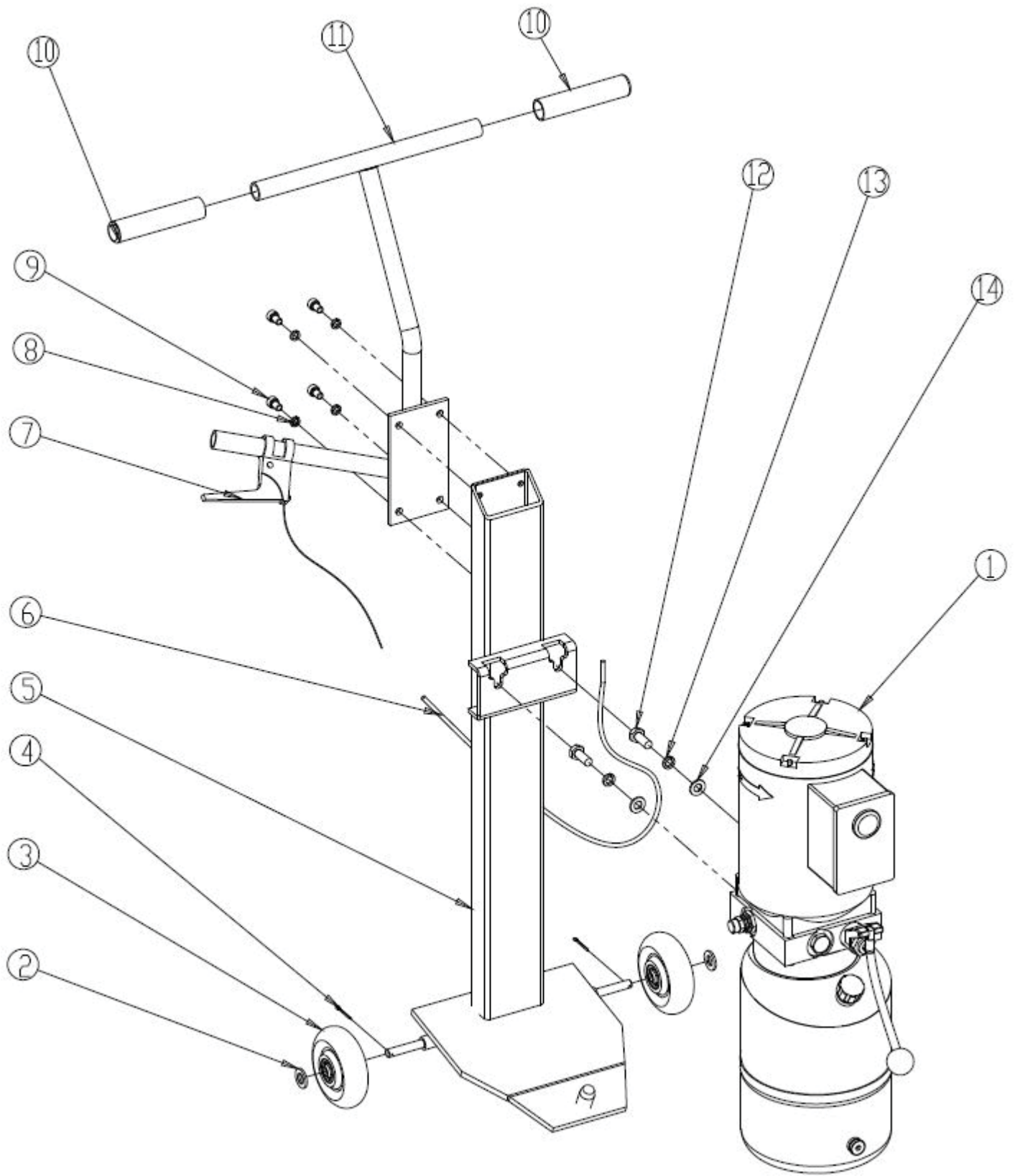
Lift & Cylinder List

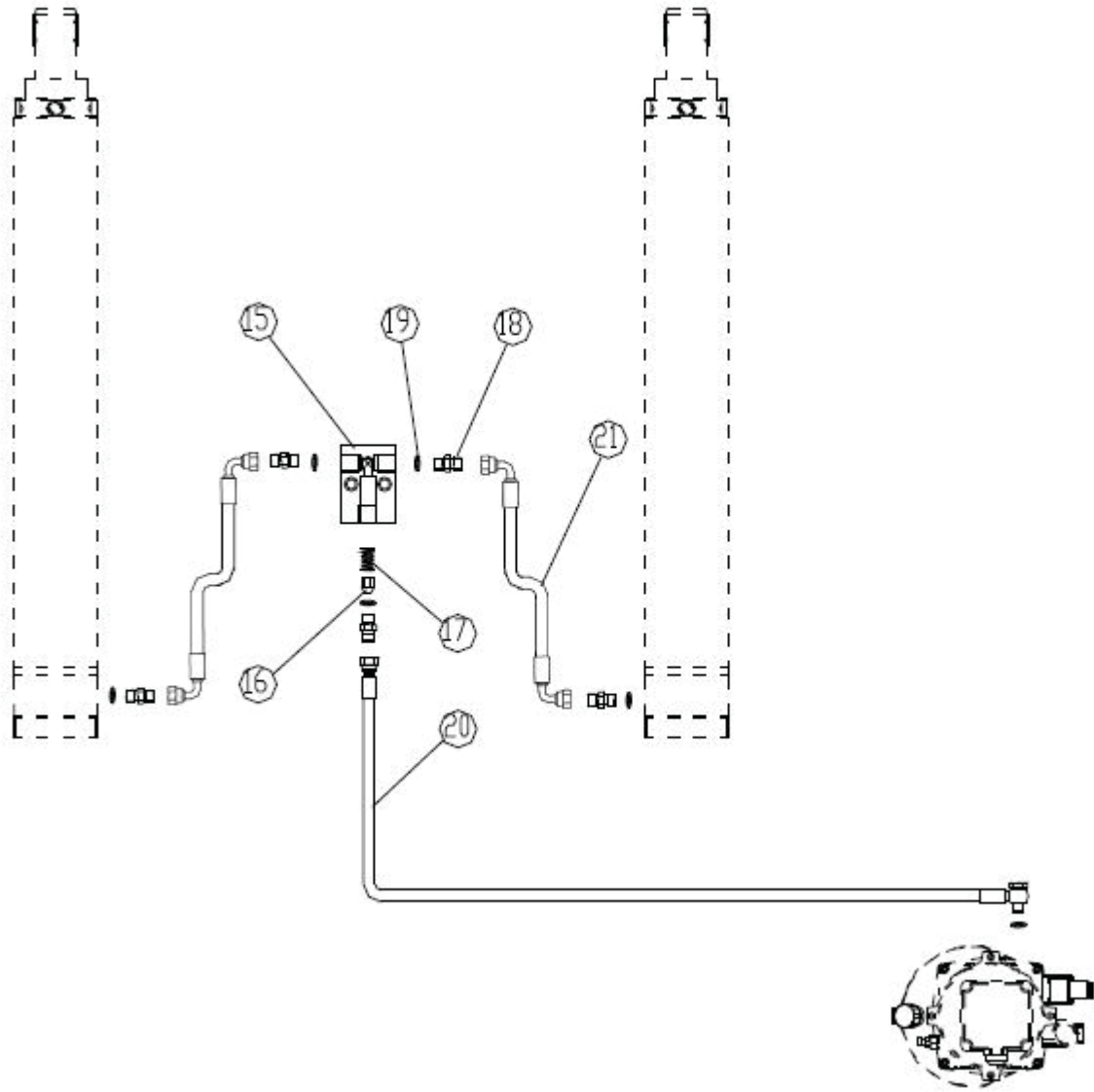
Item	Part No.	Description	Qty
1	XJ-00500	Lift frame	1
2	XJ-00200	Inner scissor	1
3	XJ-00900	Pulley	1
4	XJ-00400	Out scissor	1
5	XJ-00800	Safety support	1
6	XJ-00700	Safety rack	1
7	XJ-00004	Lower wheel	2
8	XJ-00013	Upper wheel	2
9	XJ-00003	Shaft	2
10	XJ-00005	Wheel shaft	4
11	XJ-00008	Cylinder shaft	2
12	XJ-00009	Shaft	1
13	XJ-00010	Shaft	1
14	XJ-00011	Middle shaft	2
15	XJ-04000	Hydraulic cylinder	2
16	0202043	Screw M8X12 - GB/T70.1	4

Item	Part No.	Description	Qty
17	0210061	Self-lubricated bush 2212	4
18	XJ-00018	Anti-rotation block	4
19	XJ-00100	Lifting arm	4
20	XJ-08000	H.130 lifting adaptor	4
21	XJ-07000	H.17 lifting adaptor	4
22	XJ-00006	Spacer	2
23	0209037	Screw M6X10 - GB/T80	4
24	0212005	Seeger D.20 - GB/T894.1	2
25	0212004	Seeger D.25 - GB/T894.1	12
26	0203020	Nut M20 - GB/T6170	4
27	XJ-00025	Safety spring	1
28	GB/T879.1	Elastic pin 5X30	1
29	XJ-00012	Safety pawl	1
30	XJ-00021	Cable holder	1
31	XJ-00023	Safety release cable L=3500	1
32	XJ-00024	Pin	1
33	0202008	Screw M4X8 - GB/T70.1	1
34	XJ-00022	Spring holding pin	1
35	0210062	Self-lubricated bush 1612	2
36	0212002	Seeger D.16 - GB/T894.1	1
37	0210009	Self-lubricated bush 2525	8
38	0210010	Self-lubricated bush 2530	10
39	GB/T80	Screw M6X12	2
40	0210002	Self-lubricated bush 2020	1
41	GB/T91	Split pin 4X50	2
42	SF-1(DU)	Edged self-lubricated bush 2020	4
43	XJ-07001	Slider 1	4
44	0202043	Screw M8X12 - GB/T70.1	16
45	0203004	Nut M6 - GB/T6170	16
46	0205006	Washer D.6 - GB/T97.1	24
47	GB/T68	Screw M6X35	8
48	XSZ-7-3-1	Rubber pad	8

Item	Part No.	Description	Qty
49	XJ-08100	Slider 2	4
50	0207011	Screw M6X16 - GB/T68	8
51	0202033	Screw M6X20 - GB/T70.1	2
52	XJ-04100	Cylinder liner	1
53	MS100-70-2	Piston	1
54	XJ-04001	Cylinder shaft	1
55	MS100-70-5	Cylinder guiding cover	1
56	0306087	Silencer 1/8	1
57	0312014	Gasket 70X50	1
58	0311008	Scraper D.40	1
59	0305006	Guide ring 40X25X2.5	1
60	0309025	O-ring 32X3.1	1
61	0212006	Seeger D.26 - GB/T894.1	1

Control Unit Illustration



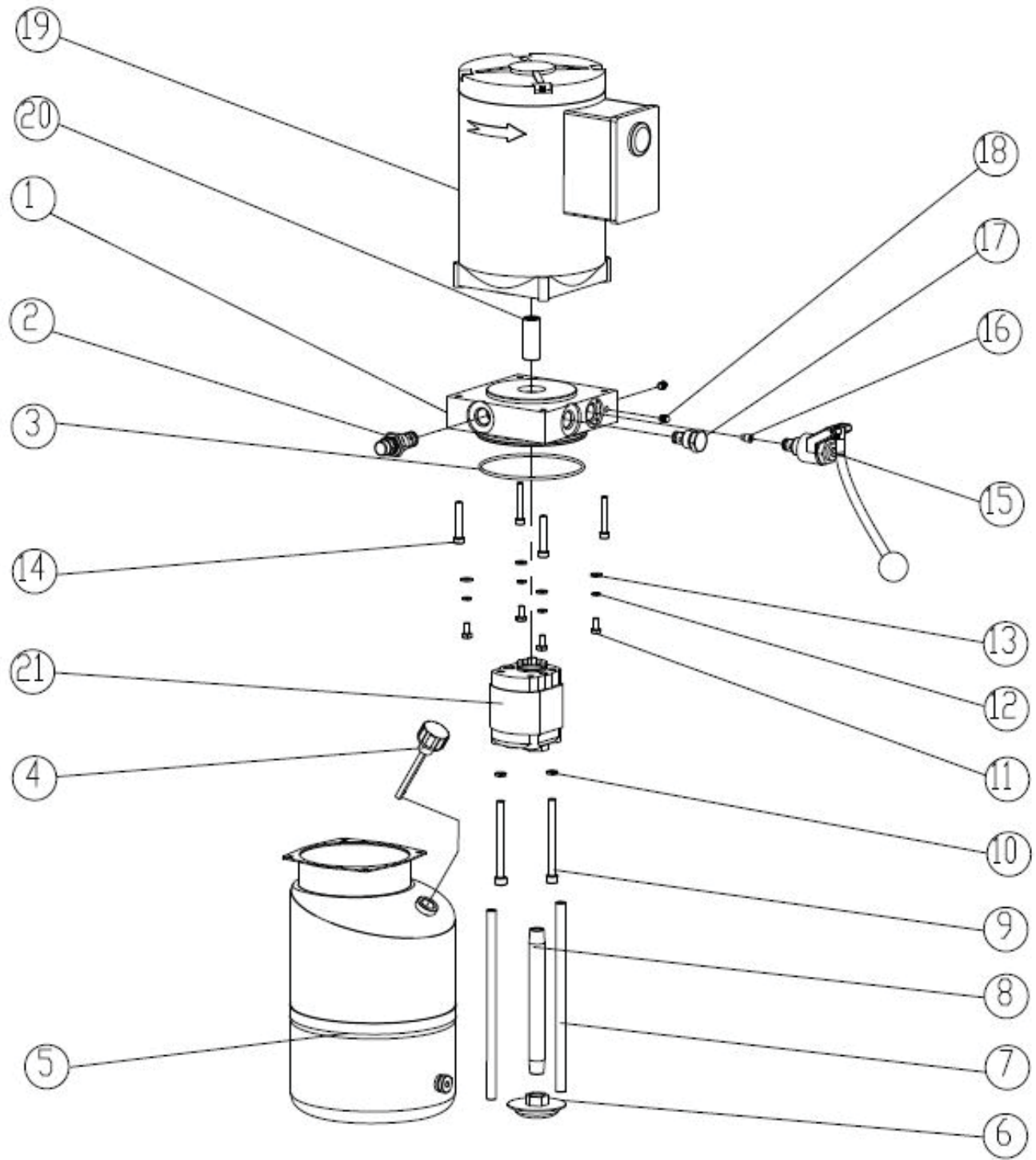


Control Unit List

Item	Part No.	Description	Qty
1	BX-C-A5	Hydraulic power unit	1
2	0205013	Washer D.12 - GB/T70.1	2
3	0511122	Wheel 4"	2
4	0213019	Split pin 2X26 - GB/T91	2
5	7630A-03100	Cart frame	1
6	7530D02301	Power cable L=3500	1
7	0511123	Safety releasing handle	1
8	0208006	Spring washer D.8 - GB/T93	4

Item	Part No.	Description	Qty
9	0202043	Screw M8X12 - GB/T70.1	4
10	0511007	Handle cover 22X120	2
11	7630A-03200	Handle	1
12	0201063	Screw M10X25 - GB/T5781	2
13	0208007	Spring washer D.10 - GB/T93	2
14	0205011	Washer D.10 - GB/T97.1	2
15	XJ-00001	Flow divider	1
16	7530-Y-2	Flow restrictor	1
17	7530-Y-3	Spring	1
18	0302007	Union 1/4	5
19	0313001	Washer 1/4	8
20	7630-ZJ3000	Hydraulic hose L=3000	1
21	7630-WW350	Hydraulic hose L=350	2

Hydraulic Power Unit Illustration



Hydraulic Power Unit List

Item	Part No.	Description	Qty
1	BZ-ZB-C	Manifold	1
2	0307018	Pressure overload valve	1
3	GB1235	O-ring 115X3.1	1
4	0305026	Oil level plug 3/8	1
5	0305039	Oil tank Y120-5	1
6	0305010	Oil filter 3/8	1
7	BZ-G10X120	Oil returning pipe	1
8	BZ-G18X160	Oil suction pipe	1
9	GT/T70.1	Screw M8X85	2
10	0208006	Spring washer D.8 - GB/T93	2
11	0201011	Screw M6X12 - GB/5781	4
12	0208005	Spring washer D.6 - GB/T93	4
13	0205006	Washer D.6 - GB/97.1	4
14	0202035	Screw M6X40 - GT/T70.1	4
15	0307015	Manual lowering valve	1
16	BZ-GZ-001	Special screw M8X12	1
17	0307008	Non-return valve	1
18	0305001	Plug QD007	2
19	0509096	Motor 2.2KW 110V/60HZ/1PH	1
20	BZ-9	Joint	1
21	0301011	Gear pump 2.1CC	1

Warranty



This item is warranted for two (2) years on structural components and two (2) years on hydraulic power units and cylinders from invoice date. Wear items are covered by a 90 day warranty.

This LIMITED warranty policy does **not include a labor** warranty.

NOTE: ALL WARRANTY CLAIMS MUST BE PRE-APPROVED BY THE MANUFACTURER TO BE VALID.

The Manufacturer shall repair or replace at their option for this period those parts returned to the factory freight prepaid, which prove after inspection to be defective. This warranty will not apply unless the product is installed, used and maintained in accordance with the Manufacturers installation, operation and maintenance instructions.

This warranty applies to the ORIGINAL purchaser only, and is non-transferable. The warranty covers the products to be free of defects in material and workmanship but, does not cover normal maintenance or adjustments, damage or malfunction caused by: improper handling, installation, abuse, misuse, negligence, carelessness of operation or normal wear and tear. In addition, this warranty does not cover equipment when repairs or alterations have been made or attempted to the Manufacturer's products.

THIS WARRANTY IS EXCLUSIVE AND IS LIEU OF ALL OTHER WARRANTIES EXPRESSED OR IMPLIED INCLUDING ANY IMPLIED WARRANTY OR MERCHANTABILITY OR ANY IMPLIED WARRANTY OF FITNESS FROM A PARTICULAR PURPOSE, AND ALL SUCH IMPLIED WARRANTIES ARE EXPRESSLY EXCLUDED.

THE REMEDIES DESCRIBED ARE EXCLUSIVE AND IN NO EVENT SHALL THE MANUFACTURER, NOR ANY SALES AGENT OR OTHER COMPANY AFFILIATED WITH IT OR THEM, BE LIABLE FOR SPECIAL CONSEQUENTIAL OR INCIDENTAL DAMAGES FOR THE BREACH OF OR DELAY IN PERFORMANCE OF THIS WARRANTY. THIS INCLUDES, BUT IS NOT LIMITED TO, LOSS OF PROFIT, RENTAL OR SUBSTITUTE EQUIPMENT OR OTHER COMMERCIAL LOSS.

PRICES: Prices and specifications are subject to change without notice. All orders will be invoiced at prices prevailing at time of shipment. Prices do not include any local, state or federal taxes.

RETURNS: Products may not be returned without prior written approval from the Manufacturer.

DUE TO THE COMPETITIVENESS OF THE SELLING PRICE OF THESE LIFTS, THIS WARRANTY POLICY WILL BE STRICTLY ADMINISTERED AND ADHERED TO.