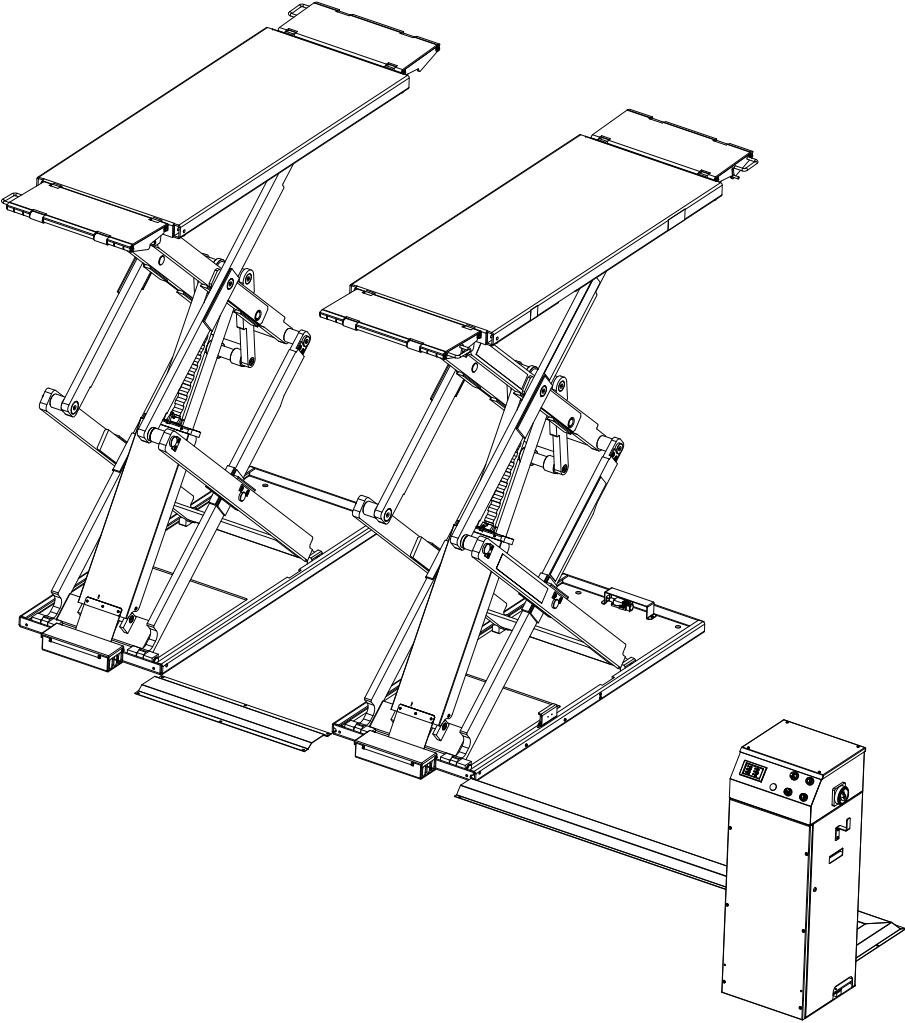
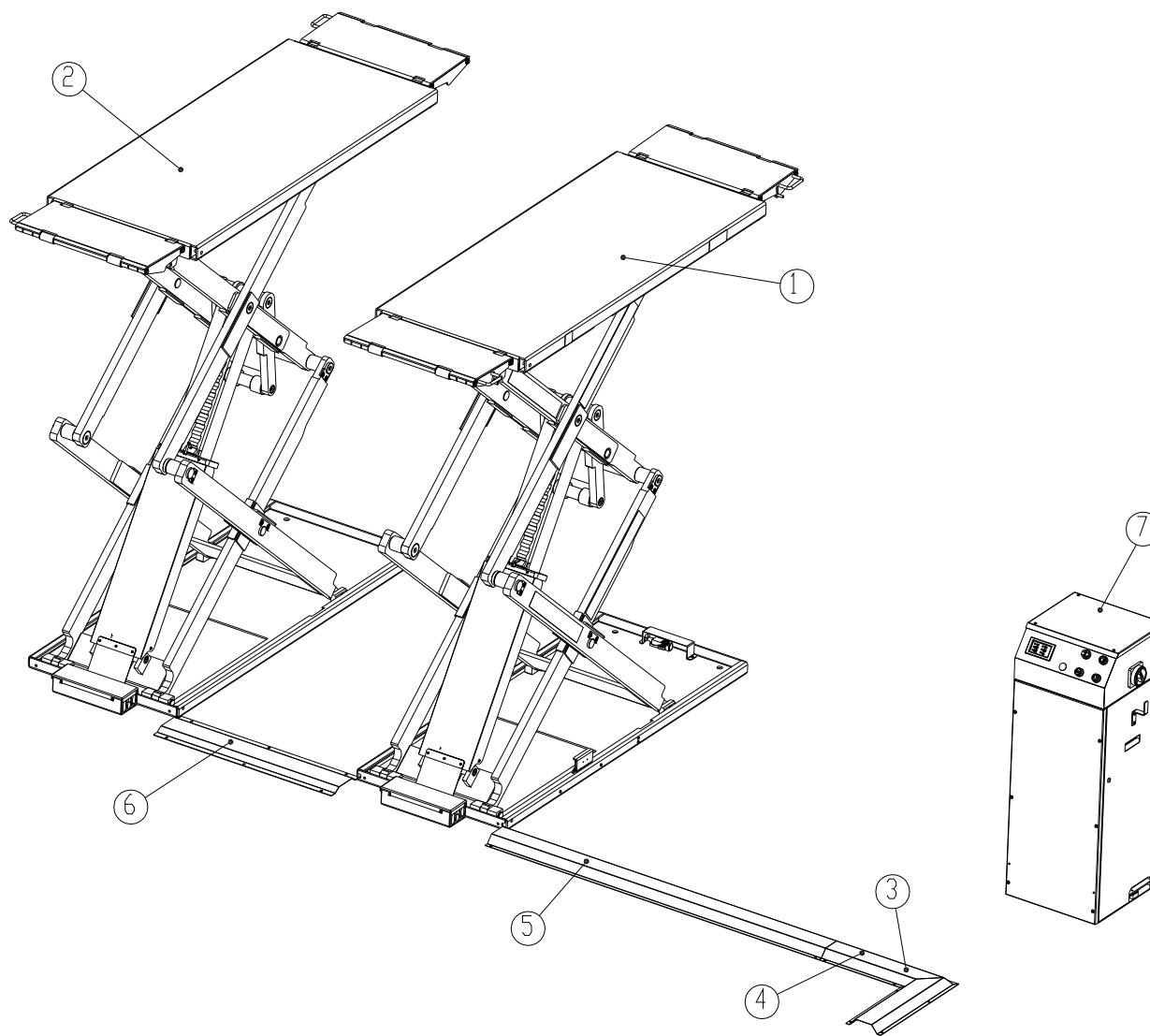




ED. 01/2015

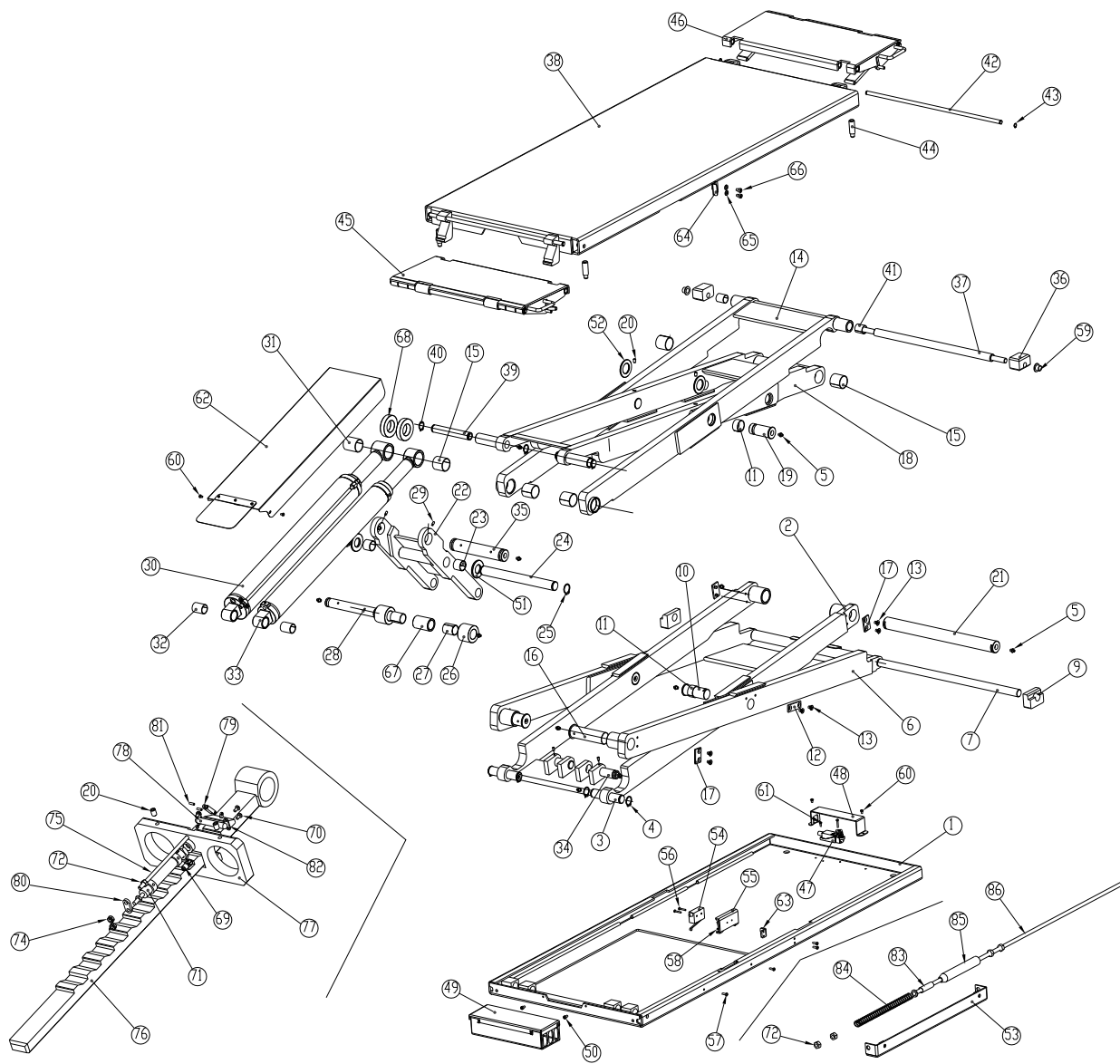
PART CATALOGUE
SLP-9K
SCISSOR LIFT





TAV.0	LIFT	ED. 07/15
-------	------	-----------

ITEM	PART NO.	DESCRIPTION	QTY	REMARK
1	J13D010000	Runway P2	1	
2	J13D020000	Runway P1	1	
3	NS12000-04-1	Corner hose cover	3	
4	NS12000-04-2	Hose cover	1	
5	NS12000-04-3	Hose cover	1	
6	J13D641101	Middle hose cover	1	
7	J13DD10001	Control unit	1	



TAV.1.0

RUNWAY P2

ED. 01/15

ITEM	PART NO.	DESCRIPTION	QTY	REMARK
1	J13D010000	Base	1	
2	J13D020000	Inferior inner scissor	1	
3	J13C510115	Shaft	2	
4	0212020	Seeger D.28 - GB/T894.1	4	
5	0215021	Greaser 8X1	18	
6	J13D210100	Inferior outer scissor	1	
7	J13D510109	Lower shaft	1	
8	J13C510110	Lower slider 1	1	
9	J13C510111	Lower slider 2	1	
10	J13C510104	Middle shaft	2	
11	0210021	Bush 3520	4	
12	NS60000-06	Fastening plate	2	
13	0207016	Screw M8X12 - GB/T819.1	12	
14	J13D230100	Superior outer scissor	1	
15	0210031	Bush 4040	5	
16	J13C510102	Shaft	2	
17	NS60000-05	Fastening plate	4	
18	J13D240100	Superior inner scissor	1	
19	J13C510105	Middle shaft	2	
20	0209060	Screw M8X12 - GB/T77	4	
21	J13D510108	Shaft	1	
22	J13D410100	Lifting lever	1	
23	0210078	Bush 3027	2	
24	J13D420101	Lever middle shaft	1	
25	0212021	Seeger D.30 - GB/T894.1	2	
26	J13C420104	Lever lower wheel	2	
27	0210016	Bush 3040	2	

TAV.1.0	RUNWAY P2	ED. 01/15
---------	-----------	-----------

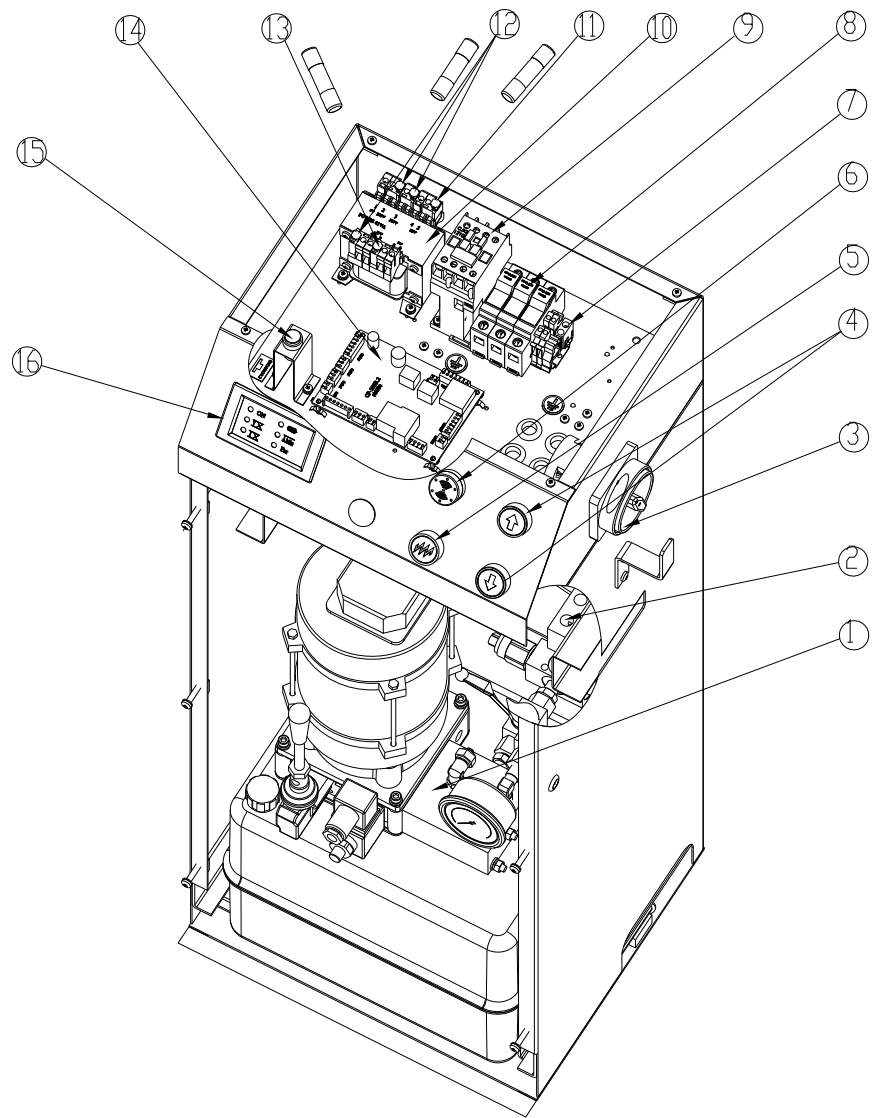
28	J13D420103	Lever lower shaft	1
29	0209002	Screw M6X10 - GB/T79	6
30	J13DY75000	Master hydraulic cylinder	1
31	0210033	Self-lubricated bush 4050	1
32	0210012	Self-lubricated bush 2840	2
33	J13CY60000	Slave hydraulic cylinder	1
34	J13C510103	Cylinder lower shaft	2
35	J13D420102	Lever upper shaft	1
36	J13C510113	Upper slider	2
37	J13D510112	Upper shaft	1
38	J13D310100	Table	1
39	J13C510101	Shaft	2
40	0212004	Seeger D.25 - GB/T894.1	4
41	0210010	Self-lubricated bush 2530	2
42	J13C323101	Ramp shaft	4
43	0212001	Seeger D.12 - GB/T894.1	8
44	NS-8-61	Shock absorber	4
45	J13C320100	Ramp 1	1
46	J13C320200	Ramp 2	1
47	0505018	Limit switch 8108	1
48	J13C612101	Switch protection	1
49	J13C631000	Hose connection cover	1
50	0202030	Screw M6X10 - GB/T70.1	4
51	J13C510107	Nylon spacer	2
52	J13C510106	Nylon spacer	2
53	J13C611100	Support	1
54	0505014	Micro switch	1

TAV.1.0	RUNWAY P2	ED. 01/15
---------	-----------	-----------

55	J13C611301	Switch support	1
56	0206017	Screw M4X25 - GB/T818	3
57	0206026	Screw M5X16 - GB/T818	4
58	0205006	Washer D.6 - GB/T97.1	3
59	J13C510114	Nylon bush	2
60	0206030	Screw M5X8 - GB/T818	4
61	0206013	Screw M4X12 - GB/T818	1
62	J13D621000	Cylinder protection	1
63	J13C611205	Support	1
64	J13C330101	Slider limiter	2
65	0205008	Washer D.8 - GB/T97.1	4
66	0202097	Screw M8X10 - GB/T70.1	4
67	J13D420108	Lever middle spacer	1
68	J13D420105	Spacer	1
69	0306083	90 degree rotation union 6-M5	1
70	0206023	Screw M4X8 - GB/T818	4
71	0306056	Safety release air cylinder 16X20	1
72	0203004	Nut M6 - GB52	7
73	0204014	Nut M16X1.5 - GB/T6173	1
74	0204003	Self-locking nut M6 - GB/T889.1	2
75	NS131802	Safety release pin	1
76	J13D431100	Safety rack	1
77	J13D430101	Support	1
78	NS131200	Safety hook	1
79	NS131801	Connection plate	1
80	NS131804	Connection plate	1
81	NS131803	Pin	2

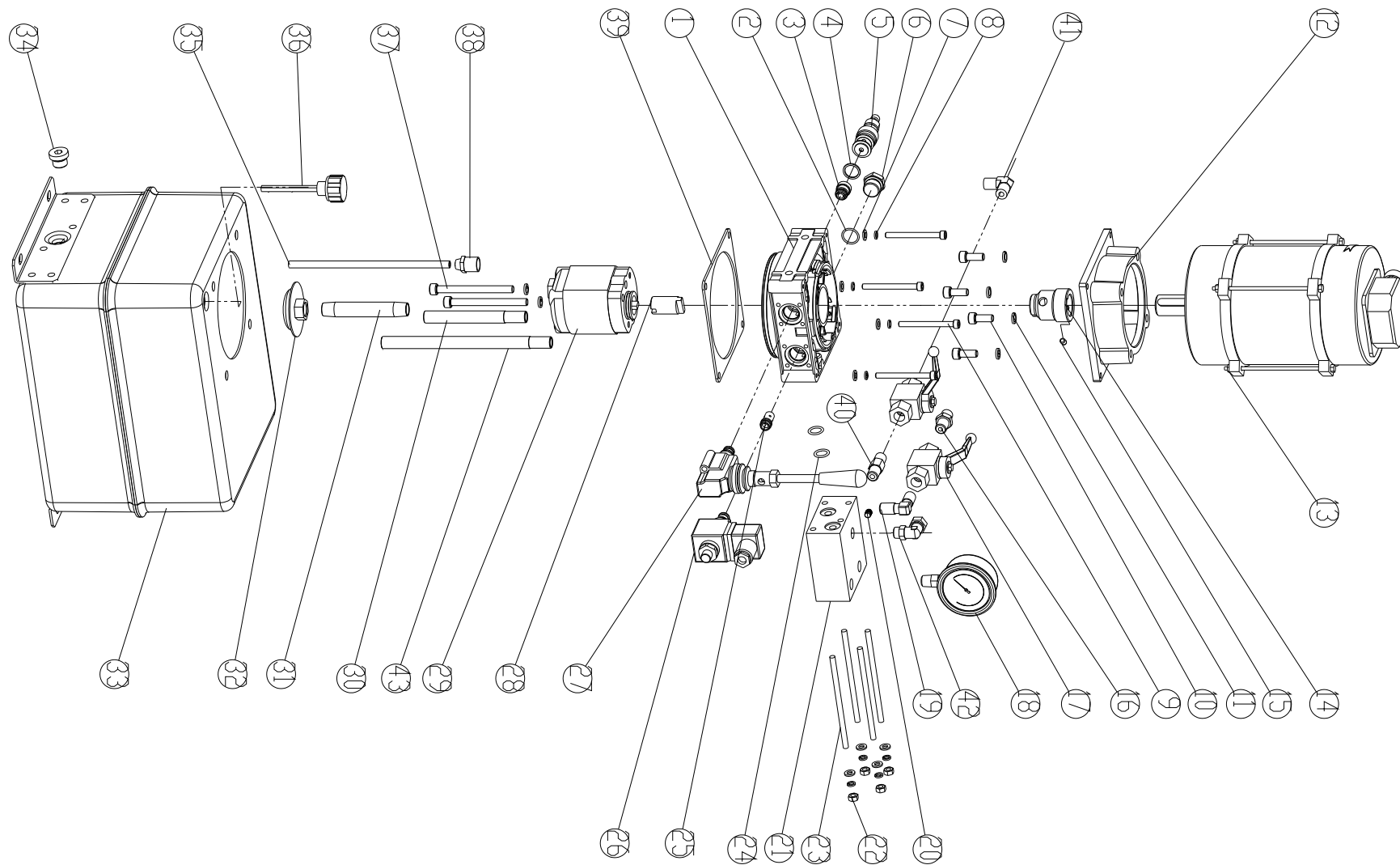
TAV.1.0	RUNWAY P2	ED. 01/15
---------	-----------	-----------

82	NS131805	Fastening plate	2
83	J13C611203	Special nut M6	1
84	J13C611204	Spring	1
85	J13C611202	Guide bush	1
86	J13C611201	Switch actuator	1



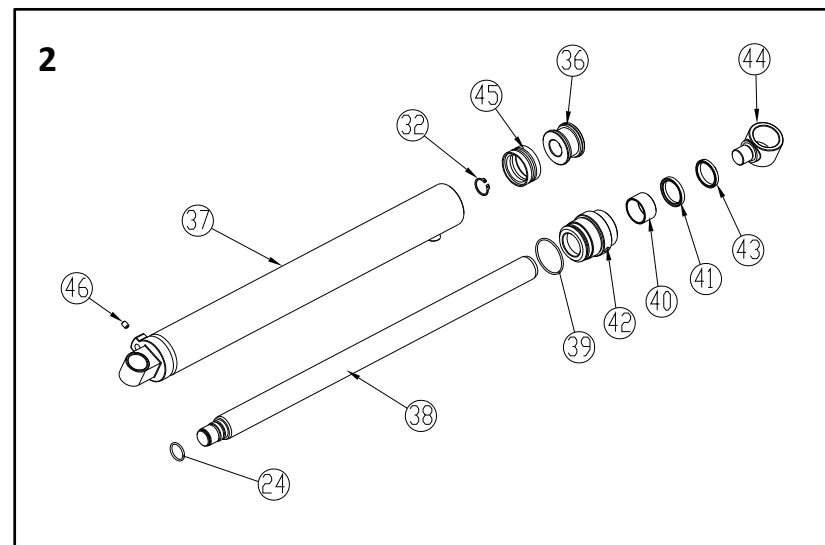
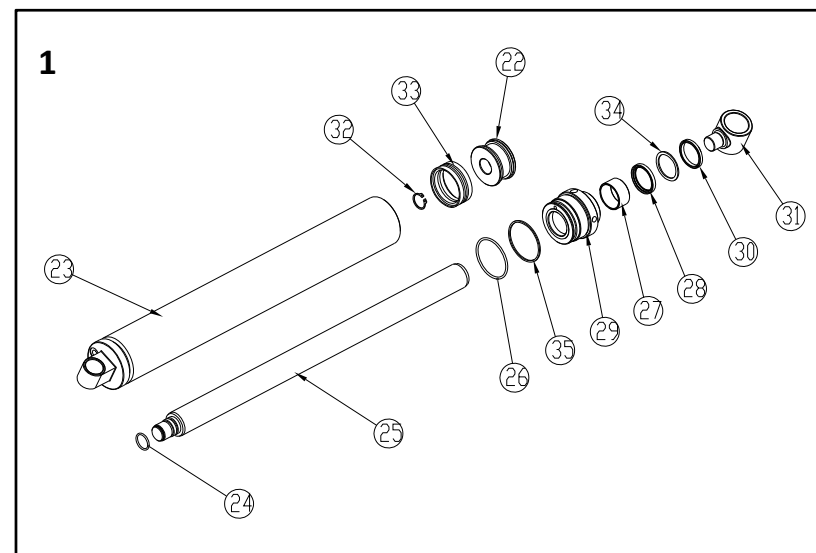
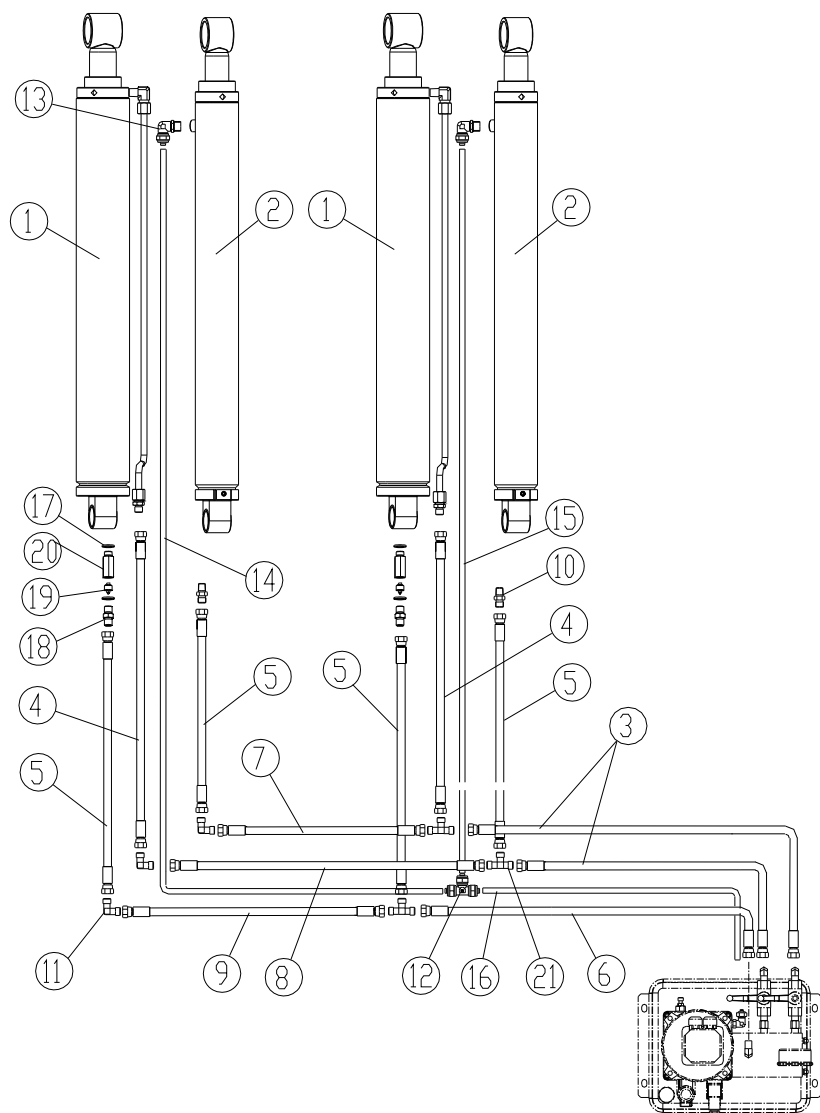
TAV.7.0	CONTROL UNIT	ED. 01/15
---------	--------------	-----------

ITEM	PART NO.	DESCRIPTION	QTY	REMARK
1	BZ-YLY	Hydraulic power unit	1	
2	0306190	Solenoid air valve DC24V	1	
3	0505022	Power switch HZ5/2-20A	1	
4	0502052	Pushbutton LA37G-EA21-10	1	
5	0502054	Safety engaging button	1	
6	0502021	Beeper DC24V	1	
7	0507002	Wiring terminal	1	
8	0504013	Overload cutoff 32A/10X38	2	
9	0501044	Contactora 1210/DC24V	1	
10	0503013	Transformer 63VA	1	
11	0504004	Fuse 4A 5X20	1	
12	0504016	Fuse 1A 5X20	3	
13	0504003	Fuse 2A 5X20	1	
14	0507040	Control board CP-503B.2	1	
15	0502017	Override button LA16Y-11-Y	1	
16	0507011	Function indicator CP-501D	1	



ITEM	PART NO.	DESCRIPTION	QTY	REMARK
1	BZ-ZB-Y	Manifold	1	
2	0309054	O-ring 17.0X1.8 - GB3452.1	1	
3	0307067	Non return valve	1	
4	0313057	Copper washer 16X20	1	
5	0307010	Pressure overload valve	1	
6	BZ-SD-01	Plug	1	
7	0205006	Washer D.6 - GB/T97.1	8	
8	0208005	Spring washer D.6 - GB/T93	8	
9	0202036	Screw M6X65 - GB/T70.1	4	
10	0202045	Screw M8X20 - GB/T70.1	4	
11	0208006	Spring washer D.8 - GB/T93	6	
12	BZ-DJ-1B	Motor flange	1	
13	0509092	Motor 220V/60HZ/1PH 2.2KW 2P	1	
14	BZ-ZT24	Motor joint	1	
15	0209042	Screw M6X8 -GB/T80	1	
16	0303063	Union 1/4 (1BT-04SP)	1	
17	0307041	Leveling cutoff cock 1/4	2	
18	0305054	Pressure gauge 400bar 1/4	1	
19	0303031	90° union 1/4 (1T9-04SP)	1	
20	0305001	Plug QD07	1	
21	BZ-W-YLY	Interface block	1	
22	0203004	Nut M6 - GB/T52	4	
23	0213045	Screw M6X120 - GB/T901	4	
24	0309019	O-ring 18X2.4 - GB1235	2	
25	0307006	Lowering speed control valve D.2.5	1	
26	0307048	Lowering solenoid valve DC24V	1	
27	0307012	Emergency hand pump	1	

28	BZ-BJ36	Pump joint	1
29	0301008	Gear pump 2.1cc	1
30	BZ-G14X120	Oil return pipe	1
31	BZ-G18X100	Oil suction pipe	1
32	0305010	Oil filter 3/8	1
33	HK2-0200	Oil tank	1
34	0305018	Plug 3/8	1
35	0306097	Rilsan hose 8X5 L=190	1
36	0305026	Oil level plug 3/8	1
37	0202053	Screw M8X90 - GB/T70.1	2
38	0306070	Union 8-3/8	1
39	BZ-F-01	Gasket	1
40	0303060	Union 1/4 (1T-04SPL)	1
41	0303002	90° union 1/4 (1BT9-04SP)	1
42	0306067	90° union 10-1/4	1
43	BZ-G14X200	Oil return pipe	1



TAV.30	HYDRAULIC CYLINDERS	ED. 01/15
--------	---------------------	-----------

ITEM	PART NO.	DESCRIPTION	QTY	REMARK
1	J13DY75000	Master hydraulic cylinder	2	
2	J13CY60000	Slave hydraulic cylinder	2	
3	ZZ2700	Hydraulic hose 1/4 L=2700	2	
4	ZZ190	Hydraulic hose 1/4 L=190	2	
5	ZZ180	Hydraulic hose 1/4 L=180	4	
6	ZZ2970	Hydraulic hose 1/4 L=2970	1	
7	ZZ1300	Hydraulic hose 1/4 L=1300	1	
8	ZZ1400	Hydraulic hose 1/4 L=1400	1	
9	ZZ1380	Hydraulic hose 1/4 L=1380	1	
10	0303063	Union 1/4 (1BT-04SP)	2	
11	0303010	90° union 1/4 (1B9-04SP)	3	
12	0306081	Tee rotation union 10	1	
13	0306067	90° union 10-1/4	2	
14	0306109	Rilsan hose 10X6.5 L=2300	1	
15	0306109	Rilsan hose 10X6.5 L=900	1	
16	0306109	Rilsan hose 10X6.5 L=3000	1	
17	0313001	Washer 1/4	4	
18	0303065	Union 1/4 (1B-04)	2	
19	0307021	Parachute valve 1/4	2	
20	7532-B	Valve union	2	
21	0303021	Tee union 1/4	3	
22	C13CY75801	Piston	1	
23	C13DY75100	Master cylinder liner	1	
24	0309025	O-ring 32X3.1 – GB1235	2	
25	C13CY75802	Cylinder shaft	1	
26	0309077	O-ring 71X3.55 – GB3452.1	1	
27	0305006	Guide ring 45X25X2.5	1	

28	0310014	Seal 45X55X7	1
29	C13CY75803	Cylinder guiding cover	1
30	0311009	Scraper 45X53X5	1
31	MS100-80-6	Shaft support	1
32	0212020	Seeger D.28 – GB/T894.1	2
33	0312024	Gasket 75X63X20.5	1
34	C13CY75804	Sealing ring	1
35	C13CY75805	Sealing ring	1
36	C13CY60801	Piston	1
37	C13CY60100	Slave cylinder liner	1
38	C13CY76002	Cylinder shaft	1
39	0309035	O-ring 63X3.1 – GB1235	1
40	0305006	Guide ring 40X25X2.5	1
41	0310013	Seal 40X50X6	1
42	C13CY60803	Cylinder guiding cover	1
43	0311008	Scraper 40X48X5	1
44	MS100-70-6	Shaft support	1
45	0312027	Gasket 60X48X20.5	1
46	0209046	Screw M8X10 – GB/T80	1