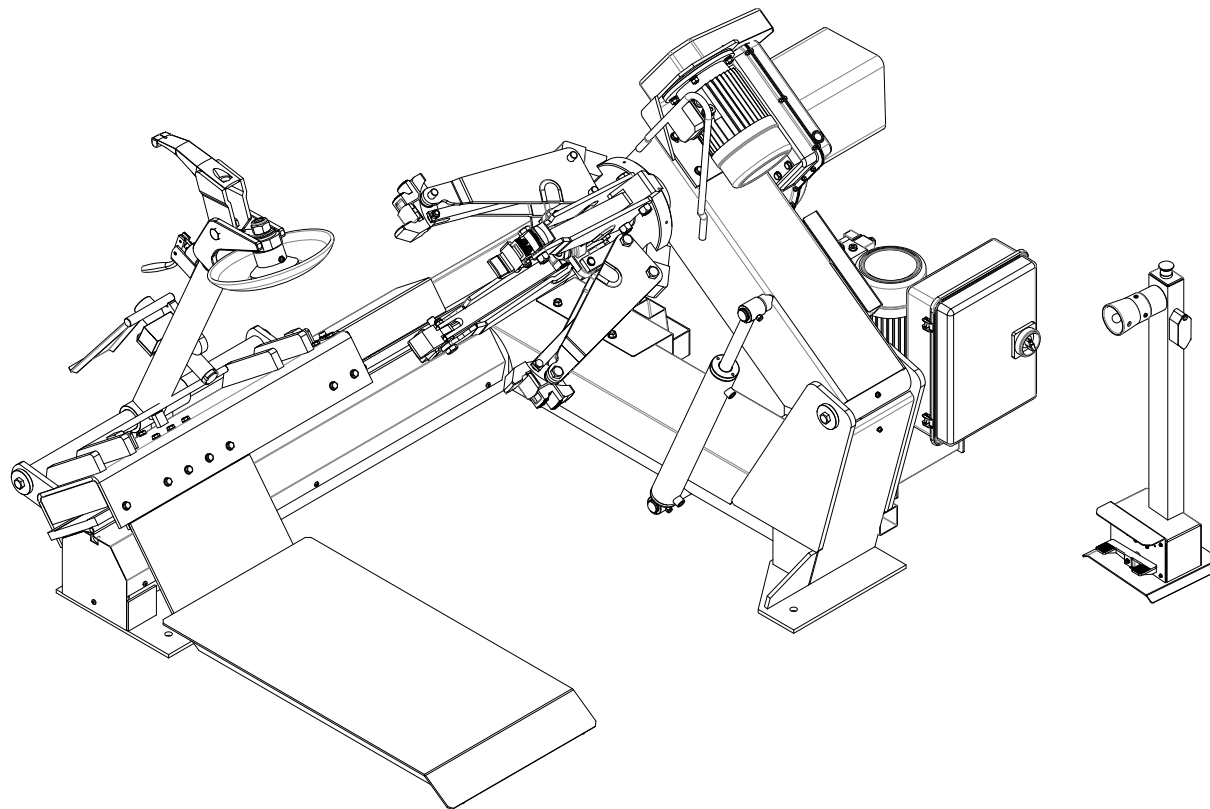
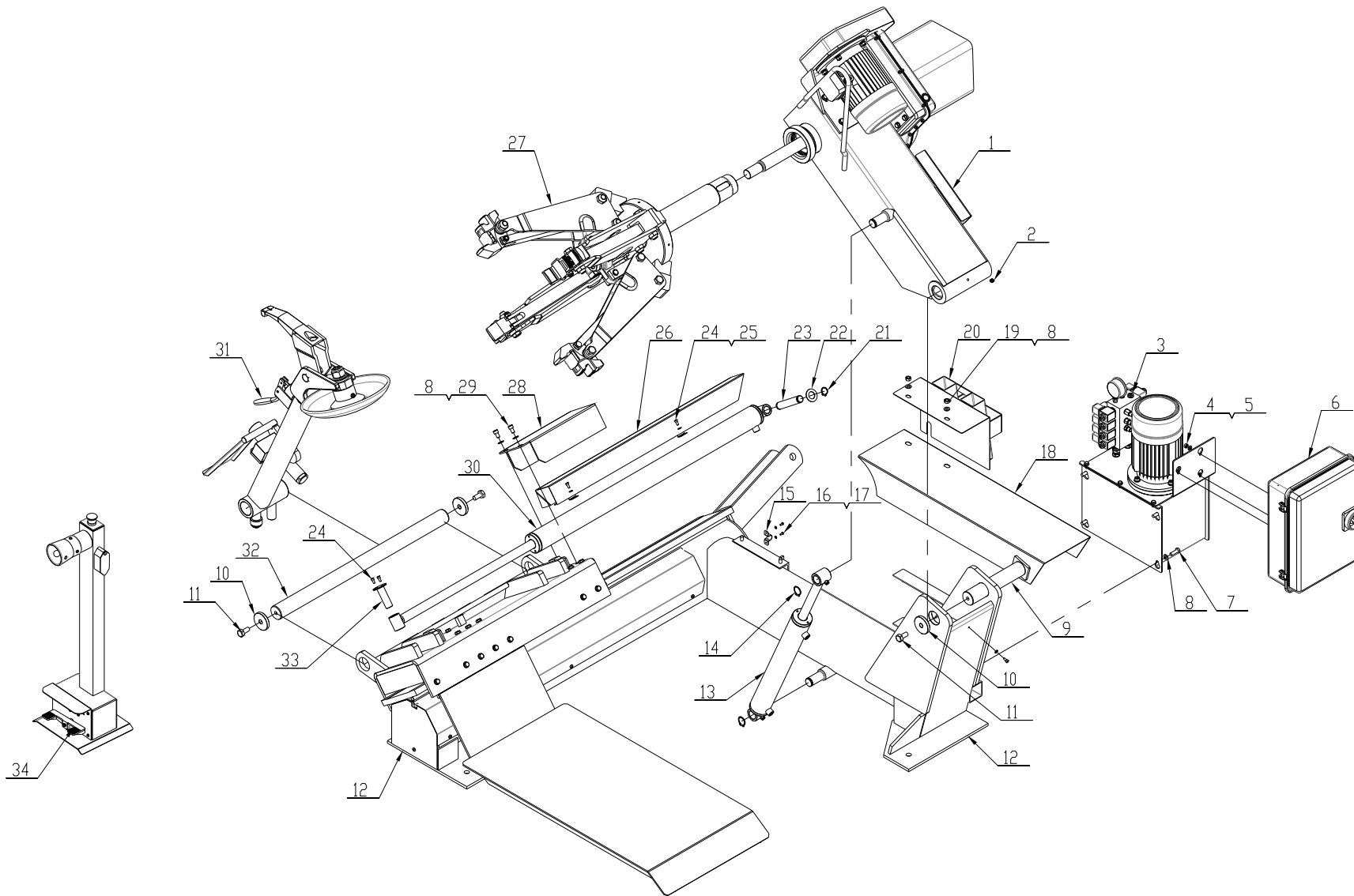




ED. 10/2011

PART CATALOGUE
TC-303
TIRE CHANGER



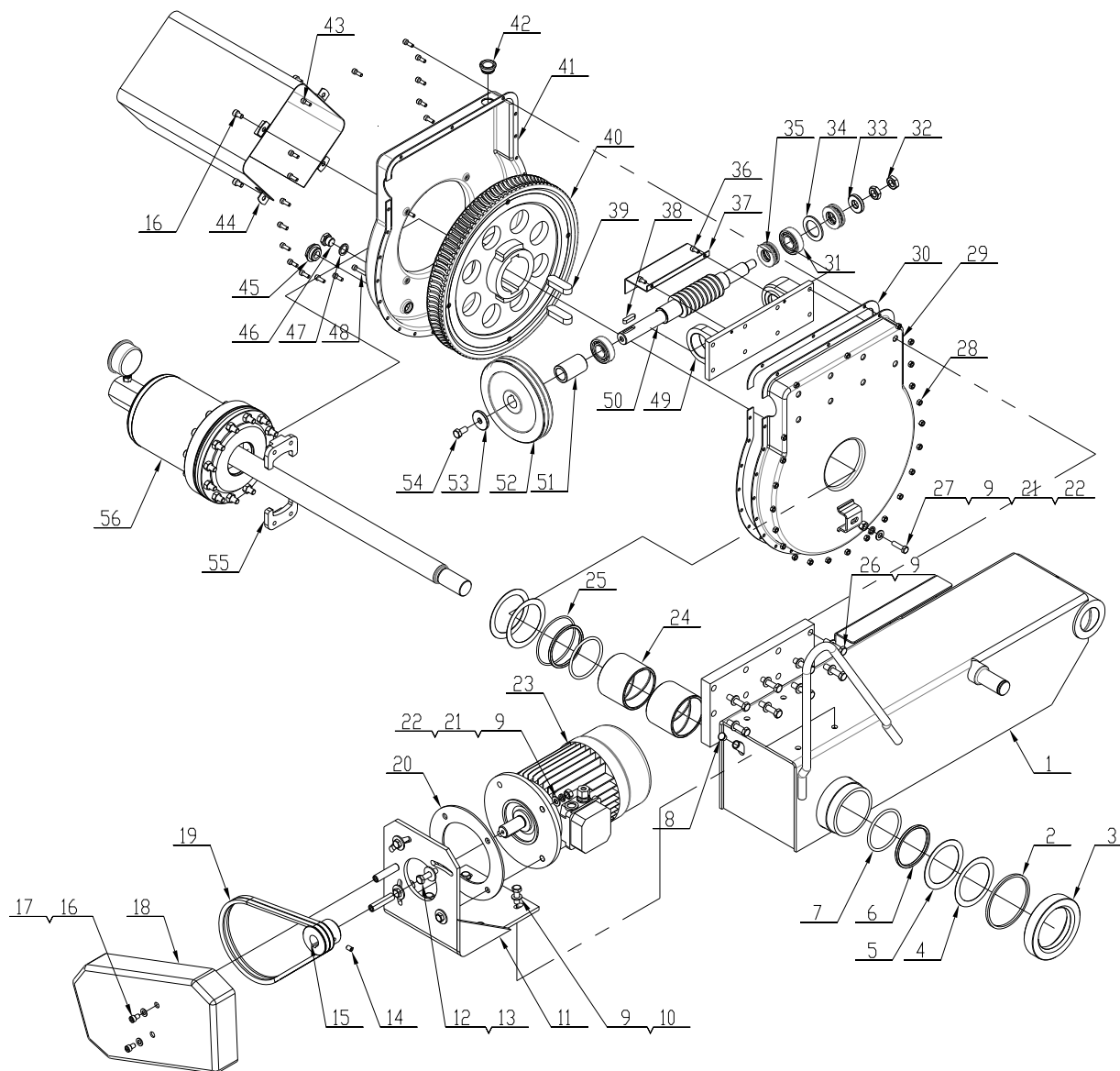


TAV.0	GENERAL ASSEMBLY	ED. 10/11
-------	------------------	-----------

ITEM	PART NO.	DESCRIPTION	QTY	REMARK
1	YC8-2000000A	Chuck arm	1	
2	0215021	Greaser M8X1 - GB1152	1	
3	YC8-BZ-0	Hydraulic unit	1	
4	0203006	Nut M8 - GB6170	3	
5	0205008	Washer D.8 - GB/T97.1	3	
6	S551-00D	Electric unit	1	
7	0201065	Screw M10X30 - GB/T5781	4	
8	0205011	Washer D.10 - GB/T97.1	8	
9	YC8-2400991B	Too arm pin	1	
10	YC8-3001067	Washer	3	
11	0201092	Screw M14X30 - GB/T5781	3	
12	YC8-1000000	Frame and carriage	1	
13	YC8-60-0	Arm cylinder	1	
14	0212021	Seeger D.30 - GB/T894.1	2	
15	YC8-3001069	U bolt	1	
16	0206012	Screw M4X10 - GB/T818	2	
17	0205002	Washer D.4 - GB/T97.1	2	
18	YC8-3000948C	Cover	1	
19	0203011	Nut M10 - GB6170	2	
20	YC8-2400935A	Support	1	
21	0212003	Seeger D.24 - GB/T894.1 24	2	
22	YC8-4399289	Washer	2	
23	YC8-3001003B	Pin	1	
24	0202024	Screw M6X12 - GB/T70.1	7	
25	0205006	Washer D.6 - GB/T97.1	5	
26	YC8-2400949	Cylinder cover	1	
27	YC8-2000000B	Chuck	1	

TAV.0	GENERAL ASSEMBLY		ED. 10/11
-------	------------------	--	-----------

28	YC8-3001074	Cylinder cover	1
29	0202056	Screw M10X16 - GB/T70.1	2
30	YC8-60B-0	Carriage cylinder	1
31	YC8-2001000	Tools	1
32	YC8-3001004A	Arm shaft	1
33	YC8-3000988	Pin	1
34	YC8-2002000	Pedal control	1



TAV.1.0	CHUCK ARM	ED. 10/11
---------	-----------	-----------

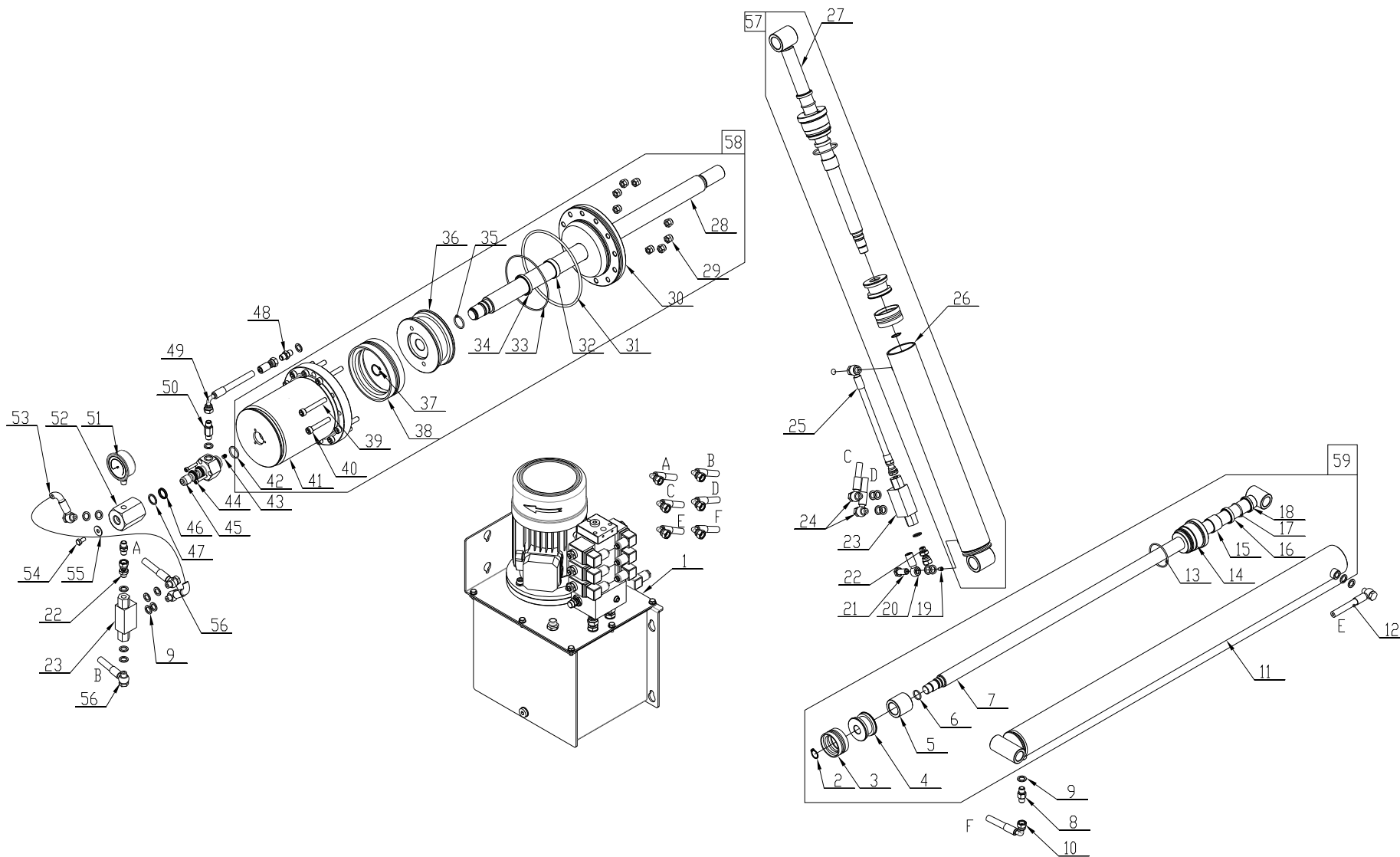
ITEM	PART NO.	DESCRIPTION	QTY	REMARK
1	YC8-2400985	Chuck arm	1	
2	0511119	Felt 115X106X5	1	
3	YC8-3001738	Ring for felt	1	
4	YC8-3001056	Spacer	2	
5	YC8-3001057	Self-lubricated washer	2	
6	YC8-4299308	Steel ring	2	
7	GB1235	O-ring 90X5.3	2	
8	0606064	Under cap D.13	1	
9	0205011	Washer D.10 - GB/T97.1	18	
10	0201049	Screw M10X30 - GB/T5783	4	
11	YC8-2400974	Motor support	1	
12	0201068	Screw M10X40 - GB/T5782	6	
13	0205010	Washer D.10 - GB/T96	4	
14	0209032	Screw M8X12 - GB/T80	1	
15	YC8-3000975	Motor pulley	1	
16	0202043	Screw M8X12 - GB/T70.1	4	
17	0205008	Washer D.8 - GB/T97.1	2	
18	YC8-2400943	Belt casing	1	
19	0511051	Driven belt V 760	2	
20	YC8-4299330	Spacer	1	
21	0208007	Washer D.10 - GB/T93	5	
22	0203011	Nut M10 - GB6170	5	
23a	0509086	Double speed motor 220V/60HZ/3PH 1.3KW/1.8KW	1	
23b	0509099	Motor 220V/60Hz/1PH 1.5KW	1	
24	YC8-3001041	Bush for chuck rod	2	
25	GB/T3452.1	O-ring 97.5X3.55	1	
26	0201051	Screw M10X45 - GB/T5782	6	

TAV.1.0	CHUCK ARM	ED. 10/11
---------	-----------	-----------

27	0201030	Screw M10X30 - GB/T5781	1
28	0203006	Nut M6 - GB6170	25
29	YC8-2400995	Cover	1
30	YC8-3001051	Gasket	1
31	GB/T276	Bearing 6205	2
32	0204014	Nut M16X1.5 - GB/T6173	2
33	YC8-3001114	Washer	1
34	YC8-3001115	Spacer	1
35	0214009	Bearing 51205 - GB/T301	2
36	0202024	Screw M6X12 - GB/T70.1	2
37	YC8-3001010	Oil screen	1
38	0213025	Tab 8X30 - GB/T1096	1
39	0213029	Tab 20X60 - GB/T1096	2
40	YC8-3010838A	Helical gear	1
41	YC8-3000998	Cover	1
42	YC8-4199258	Oil plug	1
43	0202032	Screw M6X16 - GB/T70.1	22
44	YC8-6609764	Pivot union cover	1
45	0215024	Oil level indicator M27X1.5 - GB1160.2	1
46	0305018	Oil plug 3/8	1
47	0313012	Washer 3/8	1
48	0202026	Screw M6X30 - GB/T70.1	1
49	YC8-3001009	Worm support	1
50	YC8-3010861b	Worm screw	1
51	YC8-3000999a	Spacer	1
52	YC8-3001052b	Driven pulley	1
53	YC8-3001068	Washer	1

TAV.1.0	CHUCK ARM	ED. 10/11
---------	-----------	-----------

54	0201062	Screw M10X20 - GB/T5783	1
55	YC8-3008803	Wheel locking plate	2
56	YC8-140-0G	Chuck cylinder	1



TAV.3.0	HYDRAULIC UNIT	ED. 10/11
---------	----------------	-----------

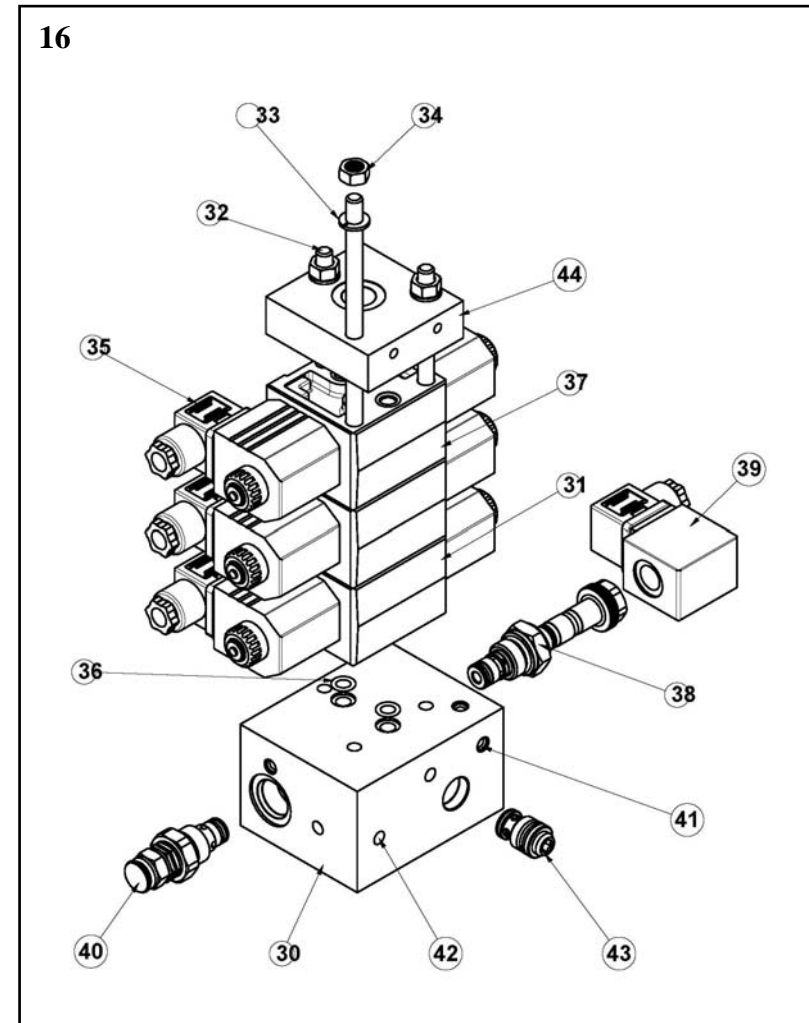
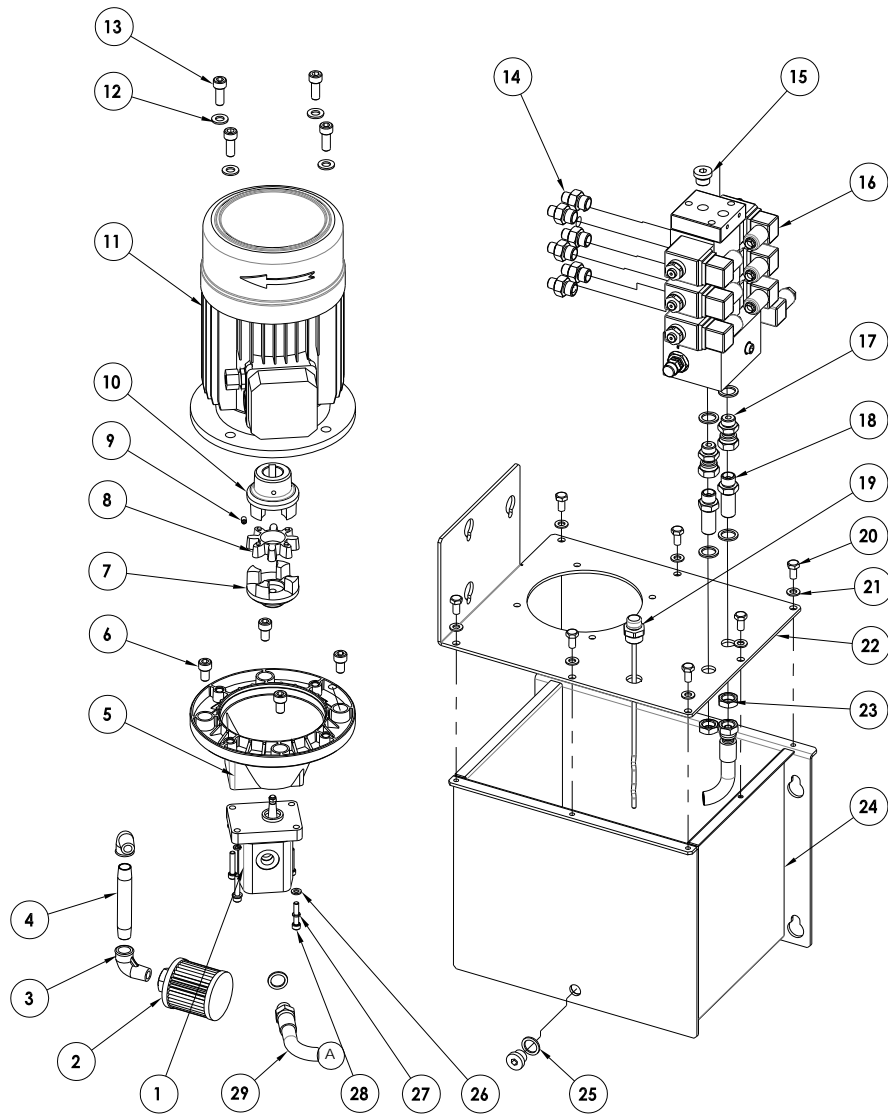
ITEM	PART NO.	DESCRIPTION	QTY	REMARK
1	303-BZ-0	Power unit	1	
2	0212005	Seeger D.20 - GB/T894.1	2	
3	0312002	Gasket 60X44	2	
4	YC8-60-3	Piston	2	
5	YC8-60B-6	Spacer	1	
6	0309022	O-ring 24X2.4 - GB1235	2	
7	YC8-60B-4	Piston rod	1	
8	0302003	1/4 union	1	
9	0313001	Washer 1/4	25	
10	303-WW2140	Hydraulic hose L=2140	1	
11	YC8-60B-10	Cylinder liner	1	
12	303-WJ2700	Hydraulic hose L=2700	1	
13	0309032	O-ring 60X3.1 - GB1235	2	
14	YC8-60-5	Cylinder guide cover	2	
15	0305006	Guide ring 30X25X2.5 - GB/T15242.2	2	
16	0310009	Sealing ring 30X38X7	2	
17	0309027	O-ring 35X3.1 - GB1235	2	
18	0311005	Scraper D.30	2	
19	BZ-GZ-002	Special screw	1	
20	0304010	Rotation union 1/4	1	
21	BZ-720B-0401	Special screw	1	
22	0305002	Union 1/4	2	
23	0307020	Stop valve BP17000000	2	
24	303-WJ1300	Hydraulic hose L=1300	2	
25	303-ZJ250	Hydraulic hose L=250	1	
26	YC8-60-10	Cylinder liner	1	
27	YC8-60-4	Cylinder shaft	1	

TAV.3.0	HYDRAULIC UNIT	ED. 10/11
---------	----------------	-----------

28	YC8-140-6	Cylinder shaft	1
29	0204005	Self -locking nut M10 - GB/T889.1	8
30	YC8-140-7	Cylinder guide cover	1
31	0309049	O-ring 195X5.7 GB1235	1
32	0305012	Guide ring 40X12X2.5 - GB/T15242.2	1
33	0309046	O-ring 140X3.1 GB1235	1
34	0310013	Sealing ring 40X50X6	1
35	0309025	O-ring 32X3.1 - GB1235	1
36	YC8-140-5	Piston	1
37	0212006	Seeger D.26 - GB/T894.1	1
38	0312008	Gasket 140X115X25.4	1
39	0202057	Screw M10X70 - GB/T70.1	4
40	0202065	Screw M10X60 - GB/T70.1	8
41	YC8-140-4	Cylinder liner	1
42	GB1235	O-ring 30X3.1	1
43	0305001	Plug QD07	1
44	GB/T70.1	Screw M6X30	3
45	YC8-140-3	Pin	1
46	Q211	Sealing ring 20X3.53	3
47	C-2C120-85-7	Ring	3
48	0302007	Union 1/4	3
49	303-ZW170	Hydraulic hose L=170	1
50	0302004	Union 1/4	1
51	0307052	Pressure gauge 250bar	1
52	YC8-140-2	Pivot union body	1
53	303-JJ430	Hydraulic hose L=430	2
54	0201026	Screw M8X16 - GB/T5783	1

TAV.3.0	HYDRAULIC UNIT	ED. 10/11
---------	----------------	-----------

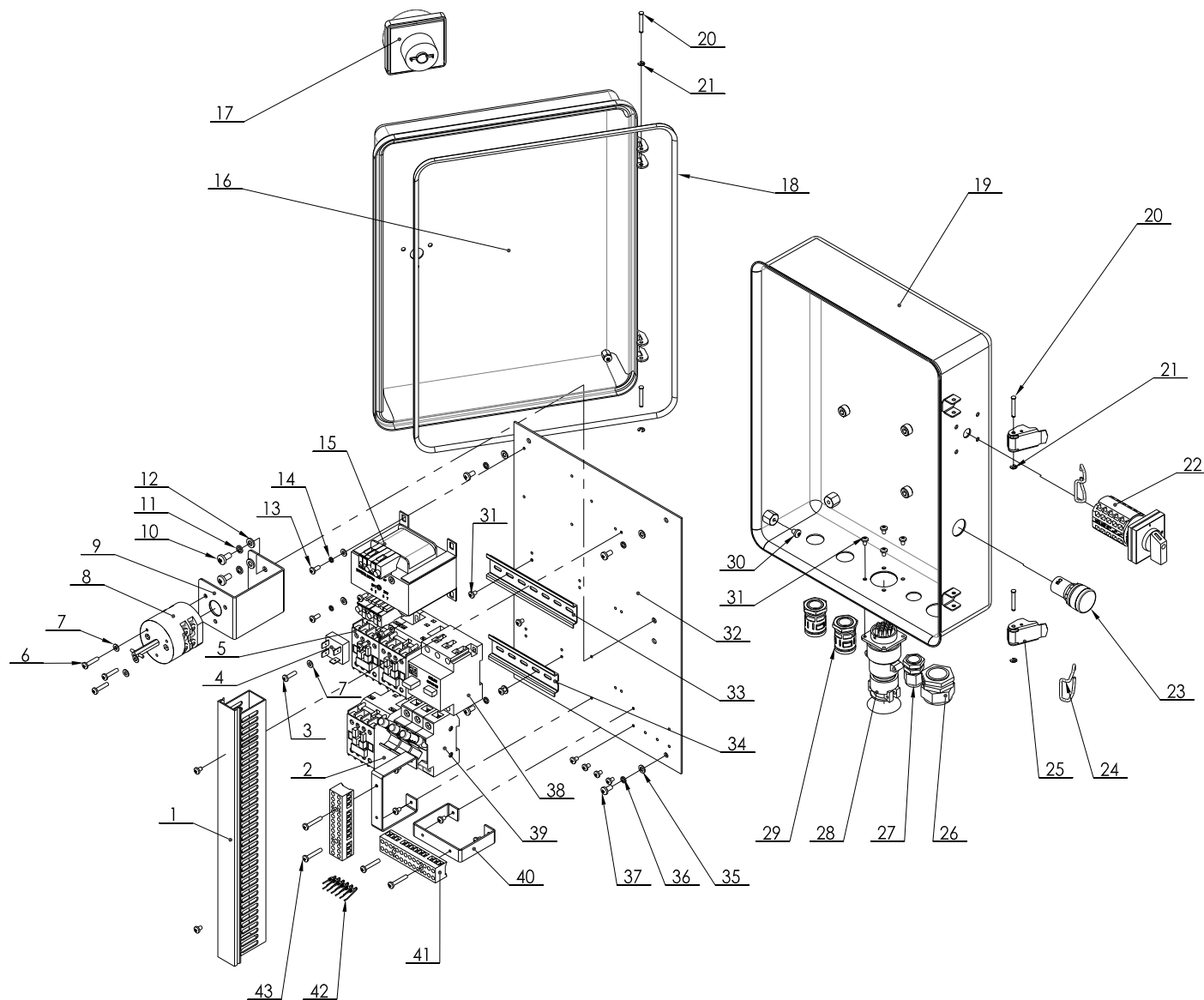
55	0205009	Washer D.8 - GB/T96	1
56	303-WJ1800	Hydraulic hose L=1800	2
57	YC8-60-0	Arm cylinder	1
58	YC8-140-0	Chuck cylinder	1
59	YC8-60B-0	Carriage cylinder	1



TAV.3.1	POWER UNIT	ED. 10/11
---------	------------	-----------

ITEM	PART NO.	DESCRIPTION	QTY	REMARK
1	0301005	Gear pump 4.2CC	1	
2	0305011	Oil filter 3/8	1	
3	5T9-06ST	Union	2	
4	BZ-G18X100	Oil draining pipe	1	
5	YC8-4197872	Motor flange	1	
6	GB/T70.1	Screw M10X16	4	
7	YC8-4197873C	Pump joint	1	
8	YC8-4197873A	Rubber absorber	1	
9	0209009	Screw M6X8 - GB/T80	1	
10	YC8-4197873B	Motor joint	1	
11a	0509085	Motor 220V/60HZ/3Ph 1.1KW	1	
11b	0509099	Motor 220V/60HZ/1PH 1.5KW	1	
12	0205011	Washer D.10 - GB/T97.1	4	
13	0202061	Screw M10X25 - GB/T70.1	4	
14	1B-06-04WD	Nipple	6	
15	0305018	Oil plug 3/8	2	
16	0307046	Multiple base with solenoid valves PR09007B	1	
17	0305003	Union 3/8	2	
18	0305004	Union 3/8	2	
19	YC8-3010652	Oil lever plug	1	
20	GB/T5783	Screw M8X16 A	7	
21	0205008	Washer D.8 - GB/T97.1	7	
22	YC8-6609758	Tank cover	1	
23	0305045	Special nut	2	
24	YC8-2409757	Oil tank	1	
25	0313012	Washer 3/8	6	
26	0205006	Washer D.6 - GB/T97.1	4	

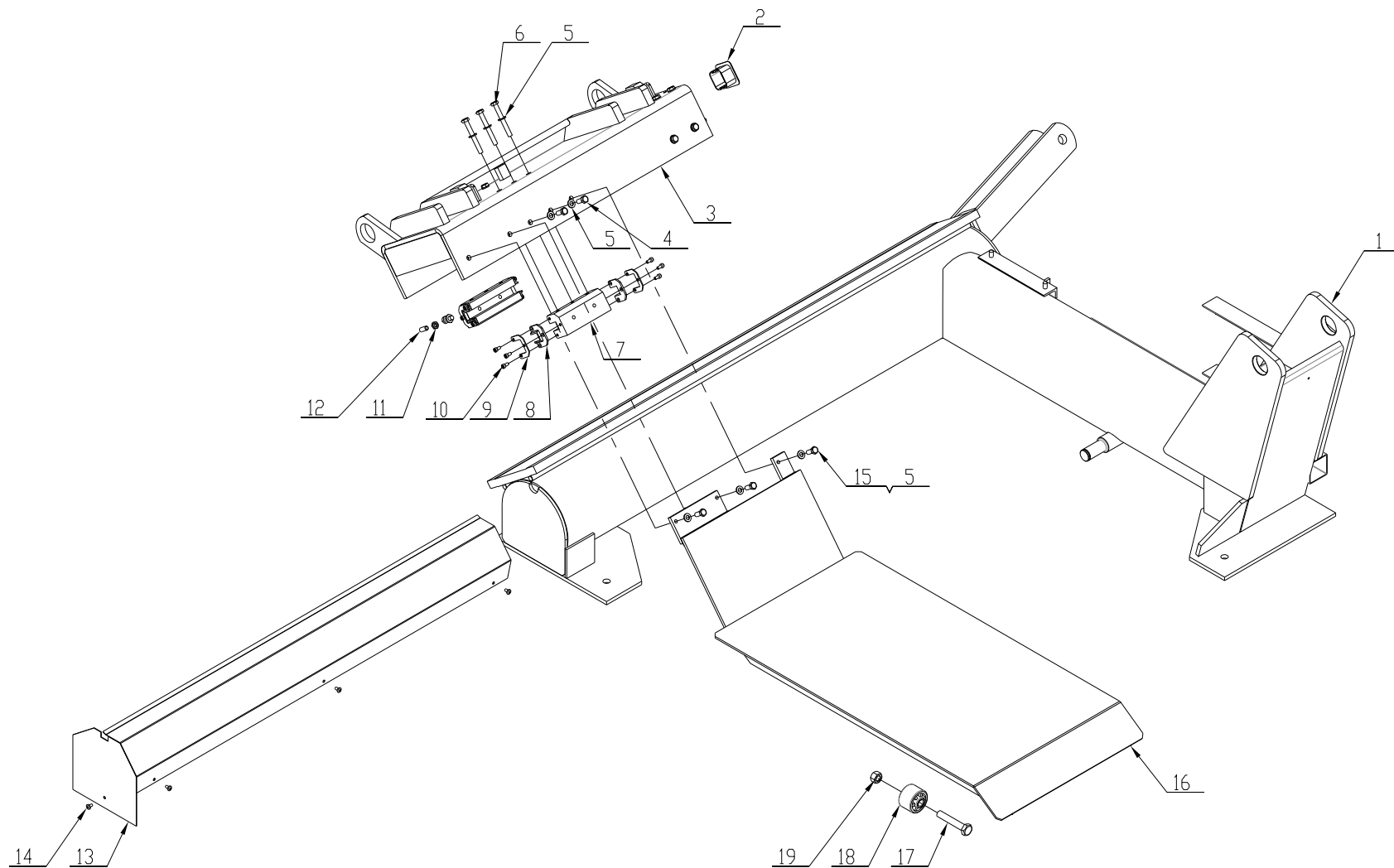
27	0208005	Washer D.6 - GB/T93	4
28	0202026	Screw M6X30 - GB/T70.1	4
29	303-ZY(5/16)390	Hydraulic hose L=390	1
30	0307108	Interface block PR09007C	1
31	0307096	ED06Z Modular directional valve 24Vdc C161401002	2
32	K211524000	Stud M8x190	3
33	C012506000	Washer D.8 DIN128A	3
34	C010506000	Nut M8 UNI 5588	3
35	C160001000	Standard connector black	6
36	C000110000	Seal OR 108 (8.73X1.78) NBR70	2
37	0307097	ED08Z Modular directional valve 24Vdc C161403002	1
38	0307098	2/2 Electric valve normally open VE3-NA V389674A20	1
39	C166455OC2	S-CE+C coil 24Vcc 18W with connector	1
40	V388904A23	VM15 Relief valve 80-250bar	1
41	C011707000	Ball sealing plug MB800-080	5
42	C011804000	Sealing plug D.7	3
43	V389209000	VU3/8" Check valve	1
44	0307108	Closing plate with P port 3/8"BSPP R933003329	1



ITEM	PART NO.	DESCRIPTION	QTY	REMARK
1	454134800	Wiring terminal L=370	1	
2	0501002	Contactora AC24V	1	
3	0206015	Screw M4X16 - GB/T818	1	
4	0508006	Rectifier - 3510	1	
5	0501004	Contactora AC24V	2	
6	0206016	Screw M4X20 - GB/T818	3	
7	0205002	Washer D.4 - GB/T97.1	8	
8	0505025	Power switch 20A	1	
9	CC-850222	Switch support	1	
10	0206040	Screw M6X12 - GB/T818	2	
11	0208005	Washer D.6 - GB/T93	2	
12	0205006	Washer D.6 - GB/T97.1	2	
13	0206012	Screw M4X10 - GB/T818	4	
14	0208002	Washer D.4 - GB/T93	4	
15	454052300	Transformer 115VA	1	
16	1064503030	Front cover	1	
17	454060502	Power switch lever	1	
18	S551-02-5	Gasket	1	
19	1064503040	Back cover	1	
20	S551-6	Pin	4	
21	0211001	Seeger D.3.5 - GB/T896	4	
22	0505013	Pole change switch - HZ5-LW26-20A	1	
23	0502023	Pilot lamp AC24V	1	
24	S551-4	Hook	2	
25	S551-5	Clamp	2	
26	0508012	Cable relief M27	1	
27	0508011	Cable relief M18	1	

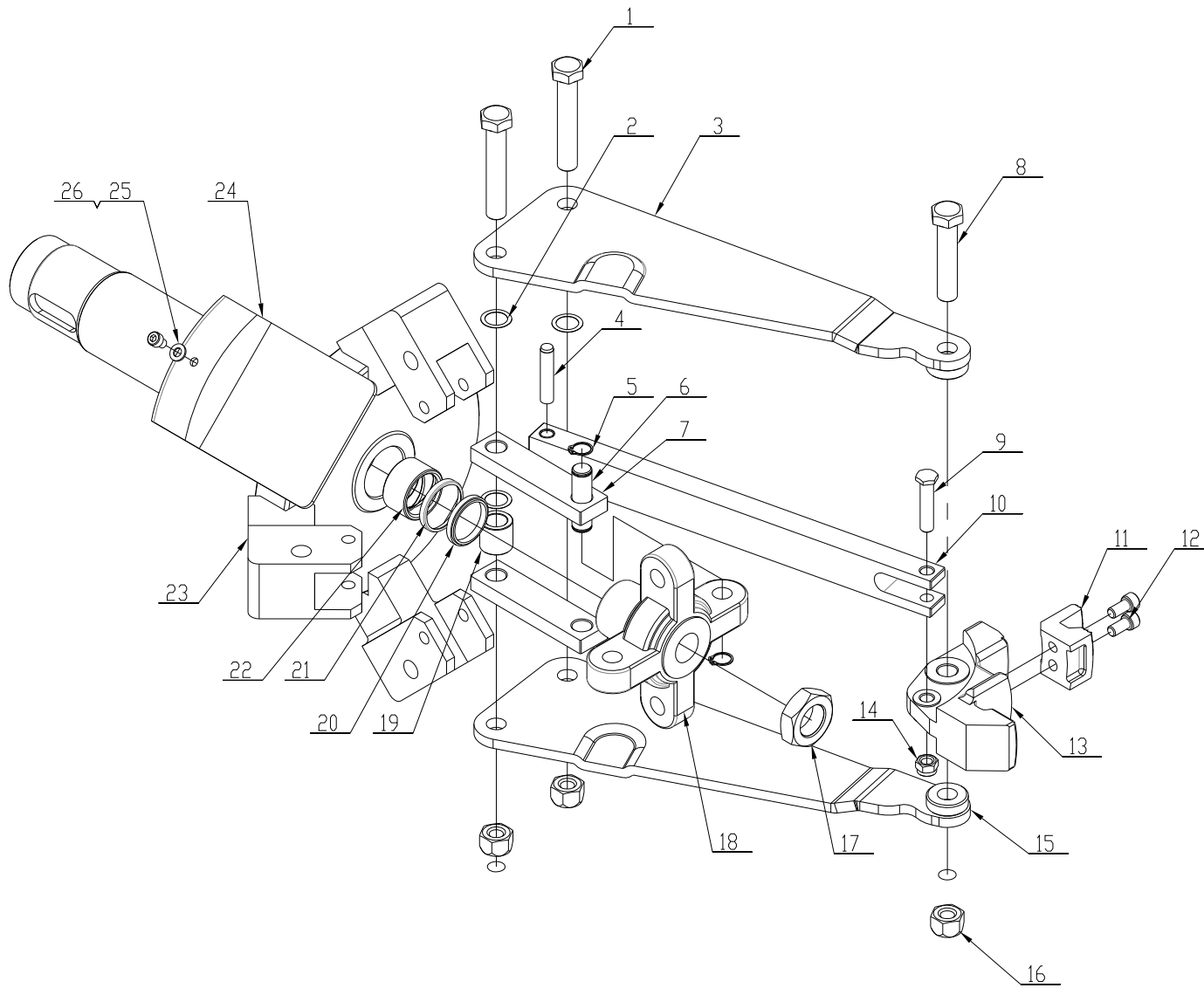
TAV.6.0	ELECTRIC UNIT	ED. 10/11
---------	---------------	-----------

28	454122200	Cable connector 14P	1
29	0507118	Conduit connector	2
30	0206014	Screw M5X6 - GB/T818	2
31	0206019	Screw M4X6 - GB/T818	18
32	CC-850221	Support	1
33	454130600	Guide 35X145	1
34	0507001	Guide 35X110	1
35	0205004	Washer D.5 - GB/T97.1	4
36	0208003	Washer D.5 - GB/T93	4
37	0206024	Screw M5X10 - GB/T818	4
38	0501020	Circuit breaker 6.3-10A	1
39a	0504009	Overload cutoff 16A 10X38 for 380V/400V	3
39b	0504013	Overload cutoff 32A 10X38 for 220V/230V	2
40	CC-850223	Support	2
41	0507009	Terminal board	2
42	454121600	LED - IN5408	6
43	0206017	Screw M4X25 - GB/T818	4



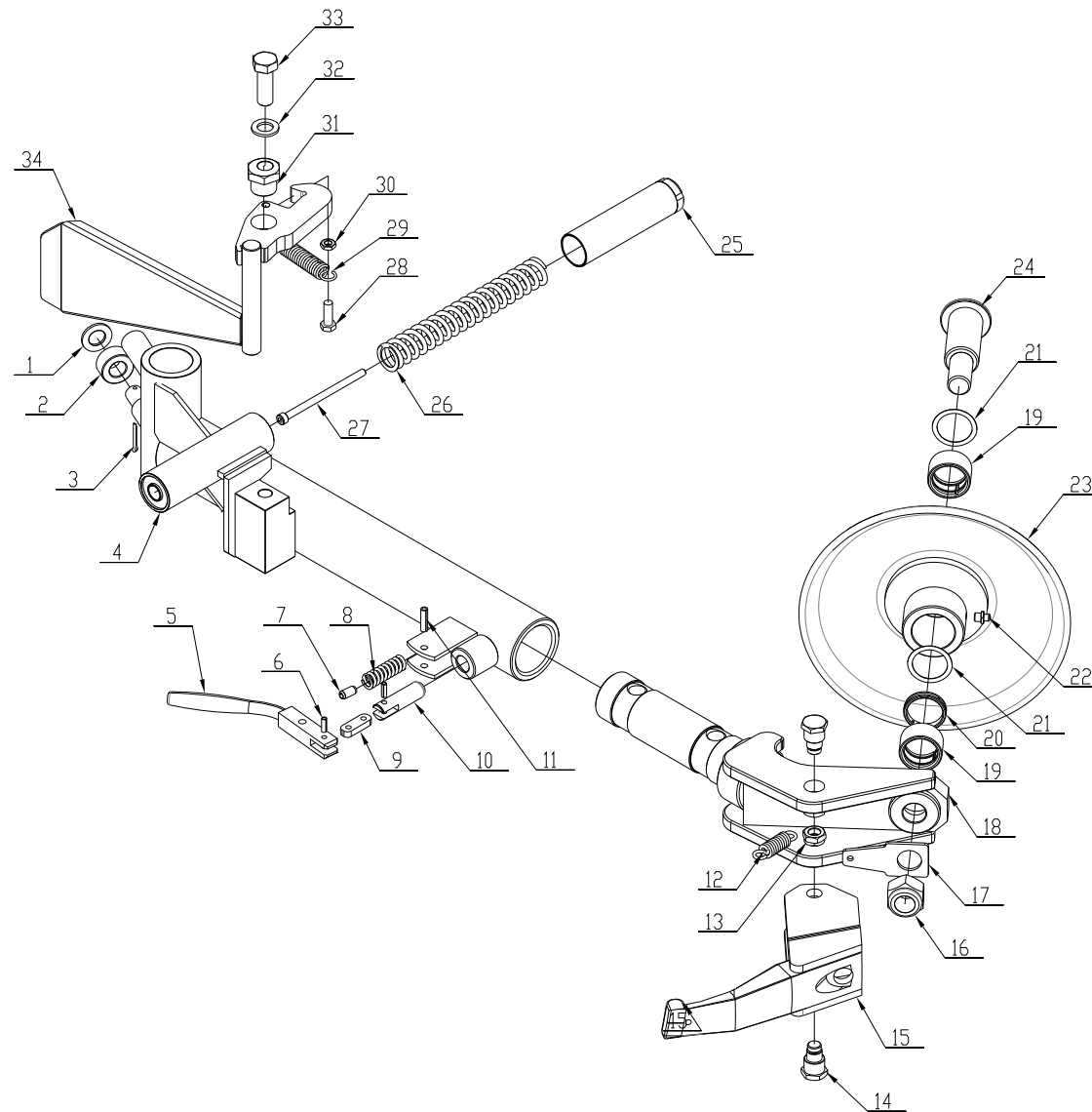
TAV.12.0	FRAME AND CARRIAGE	ED. 10/11
----------	--------------------	-----------

ITEM	PART NO.	DESCRIPTION	QTY	REMARK
1	YC8-2400989A	Frame	1	
2	YC8-4299252	Carriage terminal unit	2	
3	YC8-2400979	Carriage	1	
4	0201063	Screw M10X25 - GB/T5781	8	
5	0205011	Washer D.10 - GB/T97.1	21	
6	0201054	Screw M10X85 - GB/T5782	10	
7	YC8-3000980A	Carriage slide	4	
8	YC8-4299307	Scraper	8	
9	YC8-3001062	Side plate	8	
10	0202024	Screw M6X12 - GB/T70.1	24	
11	0204012	Nut M10 - GB/T 6172.1	4	
12	0209024	Screw M10X25 - GB/T77	4	
13	YC8-2404501	Cover	1	
14	0206031	Screw M6X10 - GB/T818	4	
15	0201064	Screw M10X25 - GB/T5783	3	
16	YC8-2400990C	Ramp	1	
17	0201099	Screw M16X90 - GB/T5782	2	
18	YC8-4299251	Roller	2	
19	0203017	Nut M16 - GB/T6170	2	



TAV.27.0	CHUCK	ED. 10/11
----------	-------	-----------

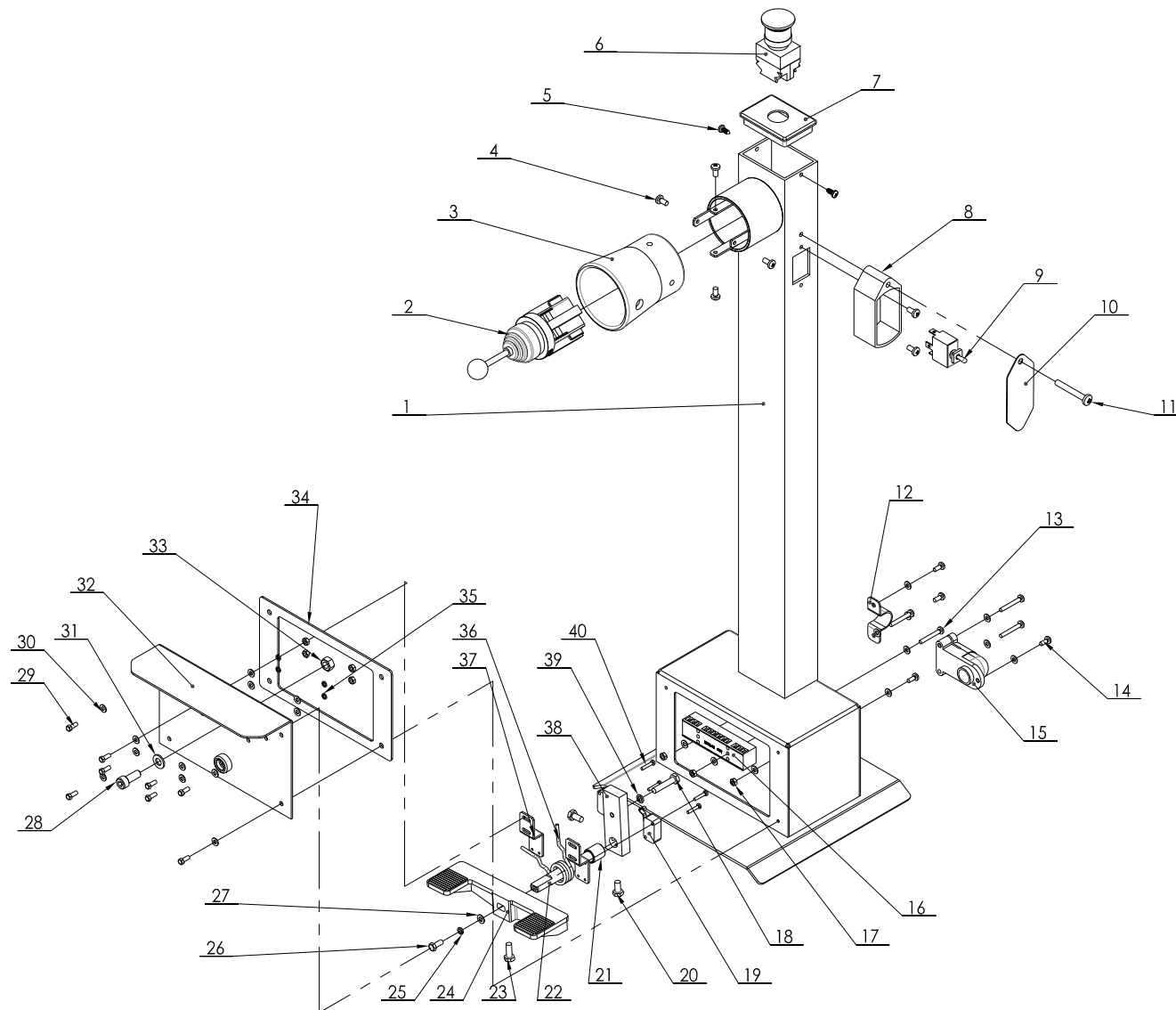
ITEM	PART NO.	DESCRIPTION	QTY	REMARK
1	0201105	Screw M18X1.5X100 - GB/T5785	8	
2	YC8-4399974	Copper washer	16	
3	YC8-2400929b	Chuck left arm	4	
4	0213039	Elastic pin 12X60 - GB/T119.1	4	
5	0212016	Seeger D.18 - GB/T894.1	8	
6	YC8-3000993	Pin	4	
7	YC8-3001044a	Connection rod	8	
8	0201107	Screw M18X1.5X85 - GB/T5785	4	
9	YC8-3000968	Special screw	4	
10	YC8-3000992	Bar	4	
11	CC-510101	Clamp	4	
12	0202060	Screw M10X20 - GB/T70.1	8	
13	YC8-3000924	Clamp support	4	
14	0204007	Nut M12 - GB/T889.1	4	
15	YC8-2400931b	Chuck right arm	4	
16	0204010	Nut M18X1.5 - GB/T6184	12	
17	0204019	Nut M33X2.0 - GB/T6173	1	
18	YC8-3001050a	Turntable cross	1	
19	YC8-3000994	Spacer	4	
20	0311008	Scraper D.40	1	
21	YC8-4299309	Steel ring for scraper	1	
22	YC8-3010893A	Bush for chuck rod	1	
23	YC8-2401794A	Chuck turntable	1	
24	YC8-3005740A	Chuck protection	4	
25	0205008	Washer D.8 - GB/T97.1	4	
26	0202097	Screw M8X10 - GB/T70.1	4	



ITEM	PART NO.	DESCRIPTION	QTY	REMARK
1	0205022	Washer D.20 - GB/T97.1	1	
2	YC8-3001039	Roller	1	
3	0213035	Split pin 4X28 - GB/T91	1	
4	YC8-2400983d	Tool holder	1	
5	YC8-3001030b	Lever	1	
6	0213005	Elastic pin 6X18 - GB/T879.1	2	
7	0213001	Elastic pin 10X20 - GB/T879.1	1	
8	YC8-3001040	Spring	1	
9	YC8-3001028	Connection rod	1	
10	YC8-3001029	Sliding bolt	1	
11	0213007	Elastic pin 8X30 - GB/T879.1	1	
12	CC-620005	Spring	1	
13	0204014	Nut M16X1.5 - GB/T6173	2	
14	YC8-3010837	Pin	2	
15	YC8-1000835	Long tool	1	
16	0204011	Nut M27 - GB/T889.1	1	
17	CC-620004	Spring connection	1	
18	YC8-2410832d	Support	1	
19	CC-620002	Bead breaking disk bush	2	
20	CC-620003	Spacer	1	
21	YC8-4396915	Steel shim	2	
22	0215021	Greaser M8X1 - GB1152	1	
23	YC8-2410857a	Bead breaking disk	1	
24	CC-620001	Pin	1	
25	YC8-2400984	Expeller	1	
26	YC8-3001038	Spring	1	
27	0202039	Screw M8X130 - GB/T70.1	1	

TAV.31.0	TOOLS	ED. 10/11
----------	-------	-----------

28	0201049	Screw M10X30 - GB/T5783	1
29	YC1-3000114	Bead breaking spring	1
30	0204012	Nut M10 - GB/T6172.1	1
31	YC8-3001031b	Cam	1
32	0205021	Washer D.18 - GB/T97.1	1
33	0201108	Screw M18X50 - GB/T5783	1
34	YC8-2400932d	Hook	1

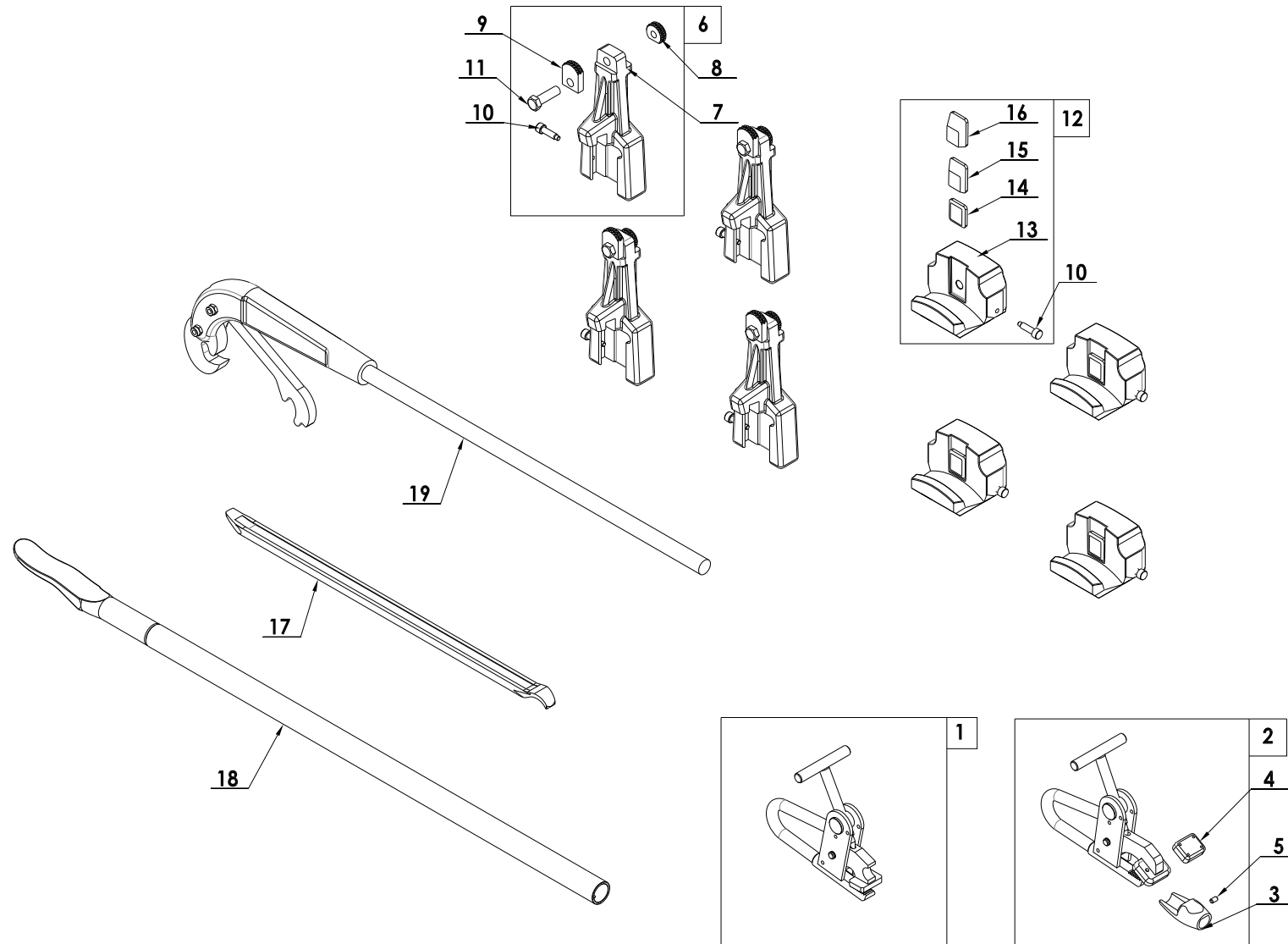


ITEM	PART NO.	DESCRIPTION	QTY	REMARK
1	YC8-2406762	Pedal unit base	1	
2	0505010	Manipulator	1	
3	0606020	Rubber cover	1	
4	0206024	Screw M5X10 - GB/T818	6	
5	0207035	Screw ST4.2X12 - GB/T845	2	
6	0502044	Emergency switch LAY37-02	1	
7	J3A-200006	Cap A	1	
8	T-23-02B	Switch support	1	
9	0505016	Commutator	1	
10	T-23-03A	Switch cover	1	
11	0206039	Screw M6X45 - GB/T818	1	
12	YC8-3001069	U bolt	1	
13	0206018	Screw M4X30 - GB/T818	4	
14	0206012	Screw M4X10 - GB/T818	4	
15	YC8-3000901	Harness holder	1	
16	0507009	Terminal board	1	
17	0203002	Nut M4 - GB/T6170	7	
18	0201019	Screw M6X30 - GB/T5780	1	
19	0505014	Micro switch	2	
20	0201010	Screw M6X12 - GB/T5781	2	
21	YC8-3001135	Spacer	1	
22	YC8-3015413	Spring support	1	
23	0201012	Screw M6X16 - GB/T5781	1	
24	YC8-3015412	Pedal	1	
25	0208003	Washer D.5 - GB/T93	1	
26	0201006	Screw M5X12 - GB/T5781	1	
27	0205004	Washer D.5 - GB/T97.1	1	

28	0202045	Screw M8X20 - GB/T70.1	1
29	0201001	Screw M4X10 - GB/T5781	8
30	0205002	Washer D.4 - GB/T97.1	23
31	0205008	Washer D.8 - GB/T97.1	1
32	YC8-2400977	Pedal box	1
33	0203008	Nut M8 - GB/T6170	1
34	YC8-3001138	Gasket	1
35	0208002	Washer D.4 - GB/T93	4
36	YC8-3007133b	Pedal control spring	1
37	YC8-3001143a	Switch support	2
38	YC8-3001131	Lever	1
39	0208005	Washer D.6 - GB/T93	1
40	0206002	Screw M3X16 - GB/T818	4

ACCESSORIES

ED. 10/11



ACCESSORIES

ED. 10/11

ITEM	PART NO.	DESCRIPTION	QTY	REMARK
1	DB-11	Pliers	1	
2	YC8-F200000	Pliers for alloy rim Art. 138/90	1	Optional
3	YC8-F202001	Alloy protection	1	
4	YC8-F201001	Block	1	
5	0209037	Screw M6X10 - GB/T80	1	
6	YC8-F100200	Clamping extension kit Art. 140/90	4	Optional
7	YC8-F100201	Clamping extension	1	
8	YC8-F100202	Short clamp	1	
9	YC8-F100203	Long clamp	1	
10	YC8-F100105	Special screw	2	
11	0201148	Screw M12X40 - GB/T5783	1	
12	YC8-F100100	Clamp protection kit Art. 137/90	4	Optional
13	YC8-F100101	Clamp protection	1	
14	YC8-F100102	Plastic insert 1	1	
15	YC8-F100103	Plastic insert 2	1	
16	YC8-F100104	Plastic insert 3	1	
17	511040	Short tire lever 24"	1	
18	DB-12T	Long bead lifting lever	1	
19	0511009	Tire ring lifting lever Art. 148/90	1	Optional