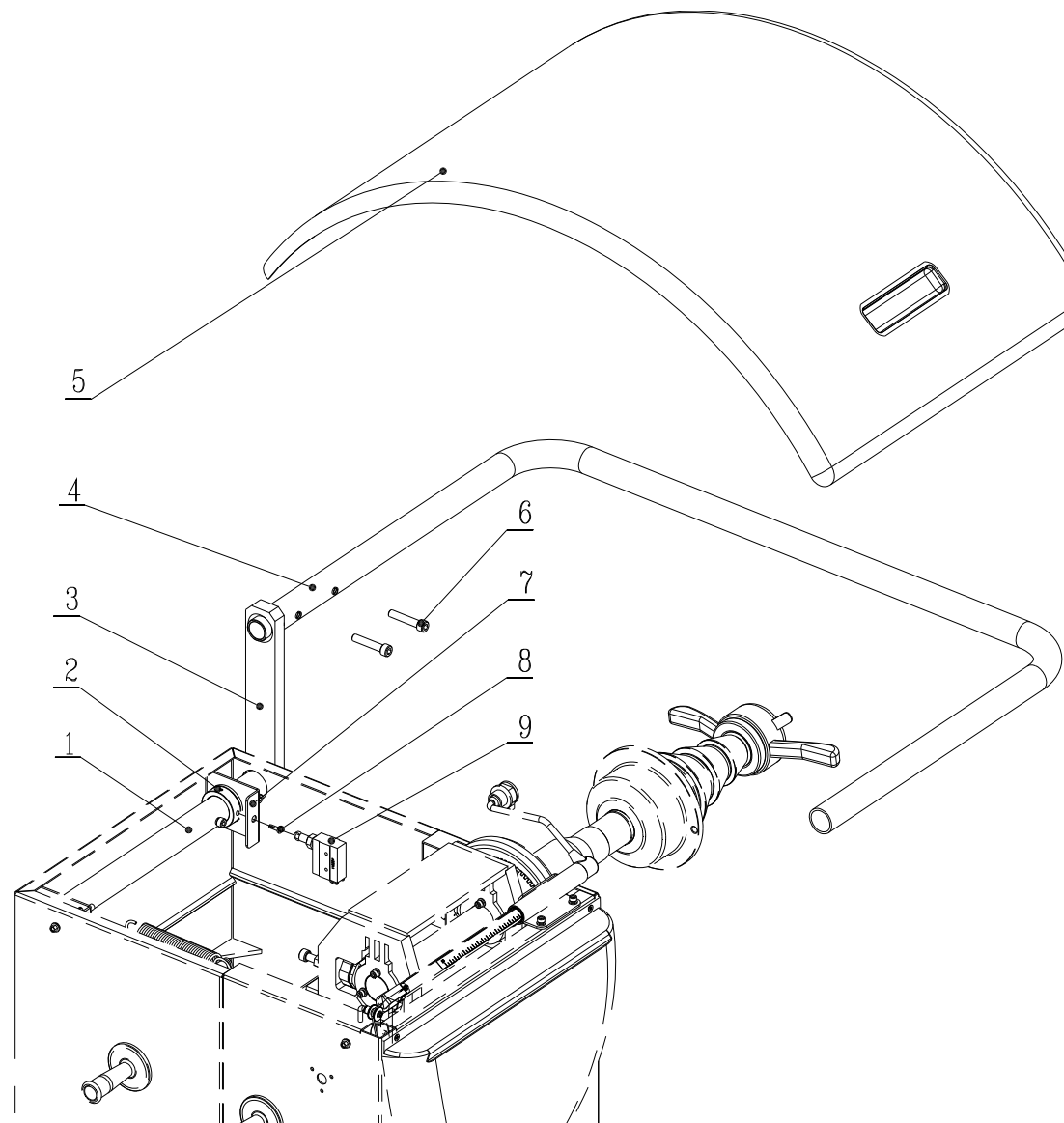


TAV.1.0

CONTROL PANEL

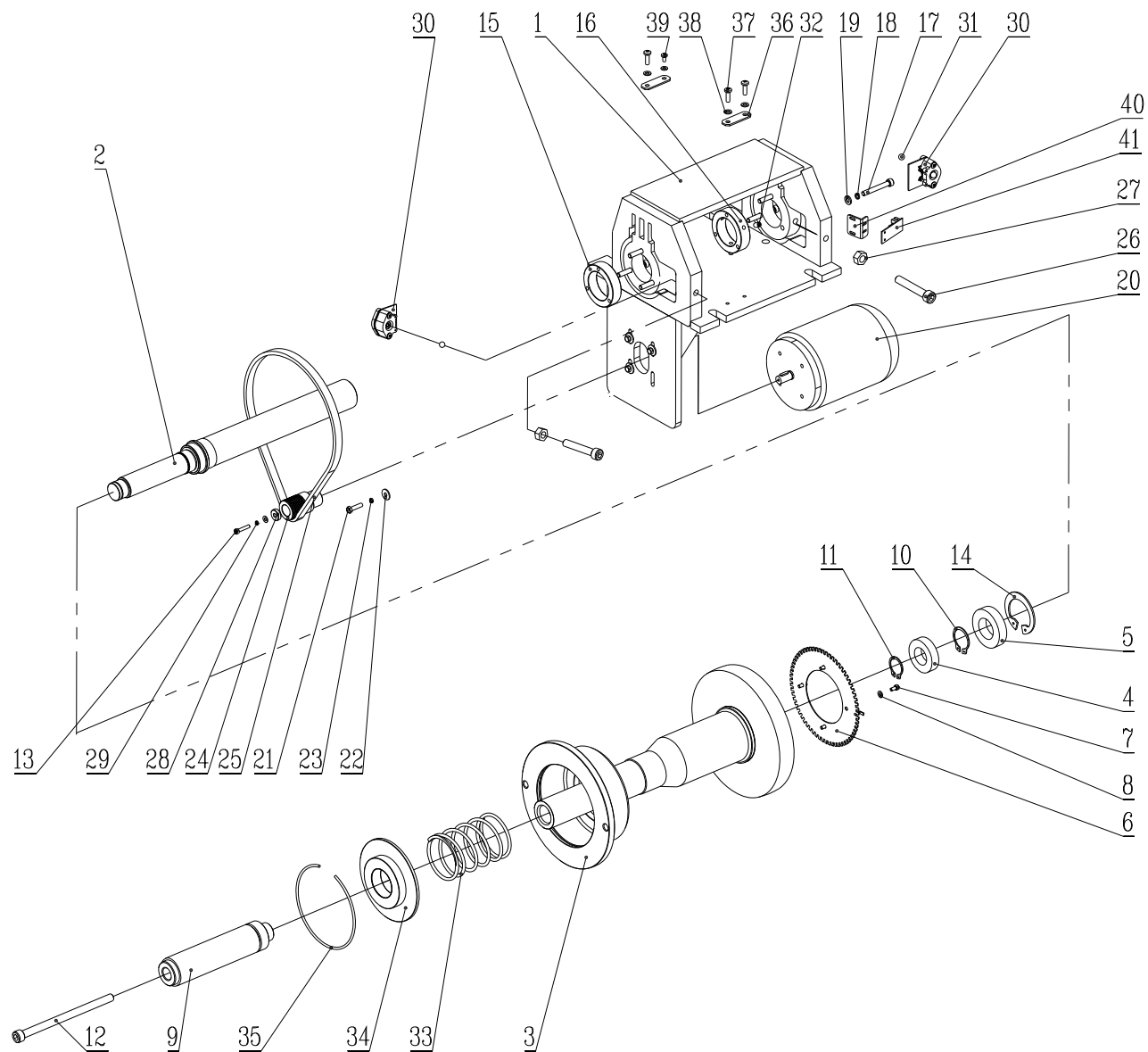
ED. 11/11

ITEM	PART NO.	DESCRIPTION	QTY	REMARK
1	0507088	Control panel	1	
2	0507083	Computer board	1	
3	P1-20002	Weight tray	1	
4	0215028	Self-tapping screw M5.5X2.5	4	



TAV.2.0	WHEEL GUARD	ED. 11/11
---------	-------------	-----------

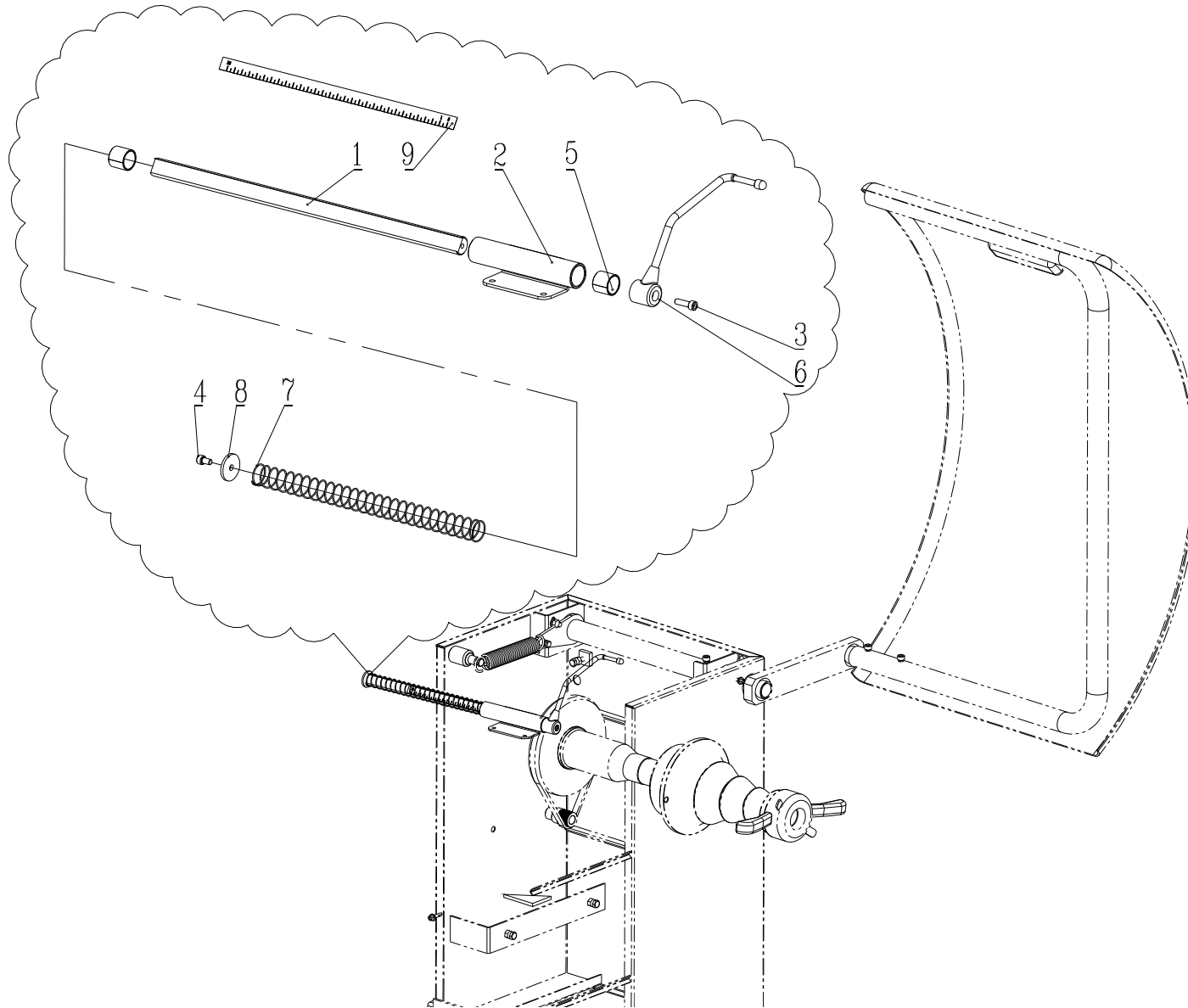
ITEM	PART NO.	DESCRIPTION	QTY	REMARK
1	P1-31211	Swivel	1	
2	P1-31205	Bush	1	
3	P1-31242	Guard arm	1	
4	P1-31401	Guard support	1	
5	P1-31402	Wheel guard	1	
6	0202040	Screw M8X16 - GB/T70.1	4	
7	P1-31221	Switch support	1	
8	0206014	Screw M5X6 - GB/T 818	1	
9	0505017	Micro switch 7311	1	



TAV.3.0	BALANCING SHAFT	ED. 11/11
---------	-----------------	-----------

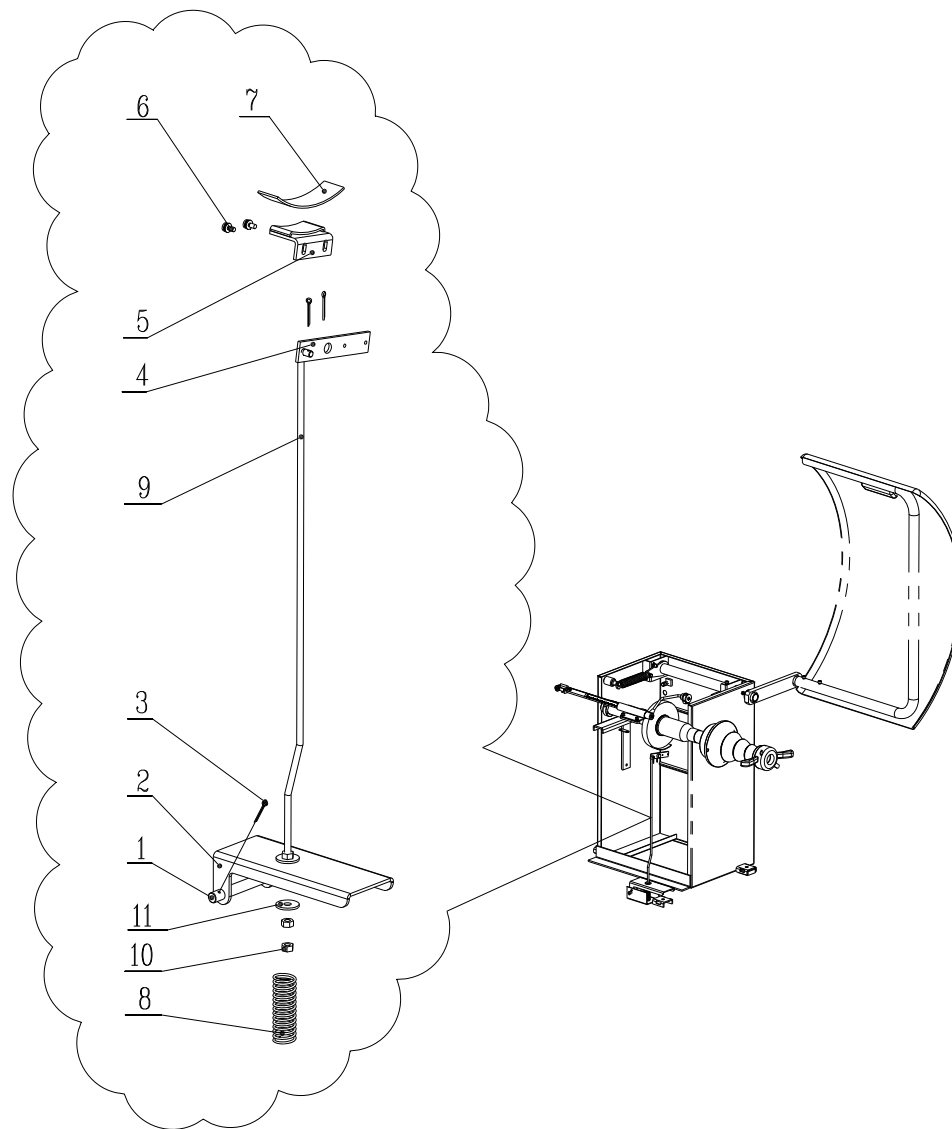
ITEM	PART NO.	DESCRIPTION	QTY	REMARK
1	P1-11100	Shaft support	1	
2	P1-11001	Balancing shaft	1	
3	P1-10010	Balancing wheel	1	
4	0214001	Bearing 6005 - GB276	1	
5	0214002	Bearing 6006 - GB276	1	
6	P1-11002	Encoder phase disk	1	
7	0202008	Screw M4X8 - GB/T70.1	4	
8	0205002	Washer D.4 - GB/T97.1	6	
9	P1-10021	Thread end piece	1	
10	0212021	Seeger D.30 - GB/T894.2	1	
11	0212004	Seeger D.25 - GB/T894.2	1	
12	0202064	Screw M10X160 - GB/T70.1	1	
13	0202001	Screw M4X20 - GB/T70.1	1	
14	0211006	Seeger D.55 - GB/T893.2	1	
15	P1-11014	Bush	1	
16	P1-11015	Bush	1	
17	0202028	Screw M6X45 - GB/T70.1	6	
18	0208005	Spring washer D.6 - GB/T93	6	
19	0205006	Washer D.6 - GB/T97.1	6	
20a	0509008	Motor 220V/50Hz 0.18KW	1	
20b	0509022	Motor 220V/60Hz 0.18KW	1	
20c	0509082	Motor 230V/50Hz 0.18KW	1	
20d	0509083	Motor 110V/60Hz 0.18KW	1	
21	0201115	Screw M5X20 - GB/T5781	4	
22	0205005	Washer D.5 - GB/T96	4	
23	0208003	Spring washer D.5 - GB/T93	4	
24	P1-11003Y	Drive pulley	1	

25	0511049	Drive belt	1
26	P1-11004	Special screw M10X60	2
27	0203009	Nut M10 - GB/6170	2
28	P1-11007Y	Pulley cap	1
29	0208002	Spring washer D.4 - GB/T93	1
30	P1-11200	Piezo sensor	2
31	0215038	Steel ball D.8	4
32	0209002	Screw M6X10 - GB/T80	3
33	P1-11010	Captured spring	1
34	P1-11011	Cover	1
35	P1-11012	Spring	1
36	P1-11013	Fastening plate	1
37	0206026	Screw M5X16 - GB/818	2
38	0205004	Washer D.5 - GB/T97.1	3
39	0206023	Screw M4X8 - GB/818	1
40	P1-11005	Encoder support	1
41	0507085	Phase encoder	1



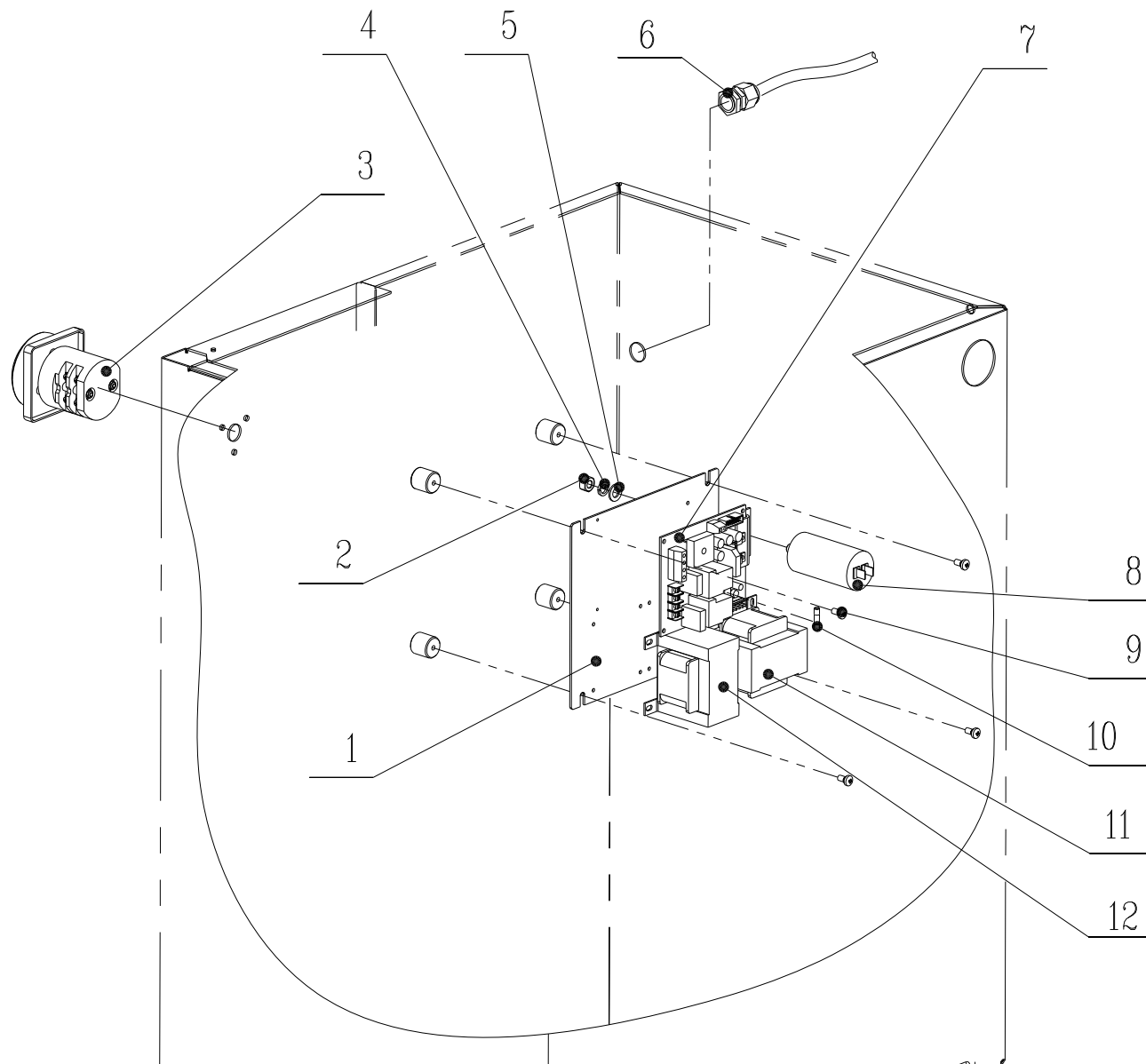
TAV.4.0**DISTANCE GAUGE****ED. 11/11**

ITEM	PART NO.	DESCRIPTION	QTY	REMARK
1	P1-41101B	Gauge rod	1	
2	P1-41300	Gauge support	1	
3	0202033	Screw M6X20 - GB/T70.1	1	
4	0202030	Screw M6X10 - GB/T70.1	1	
5	0210002	Self-lubricated bush 2020	2	
6	P1-41200B	Gauge index	1	
7	P1-41212B	Spring	1	
8	P1-41213B	Washer	1	
9	P1-41109	Scale decal	1	



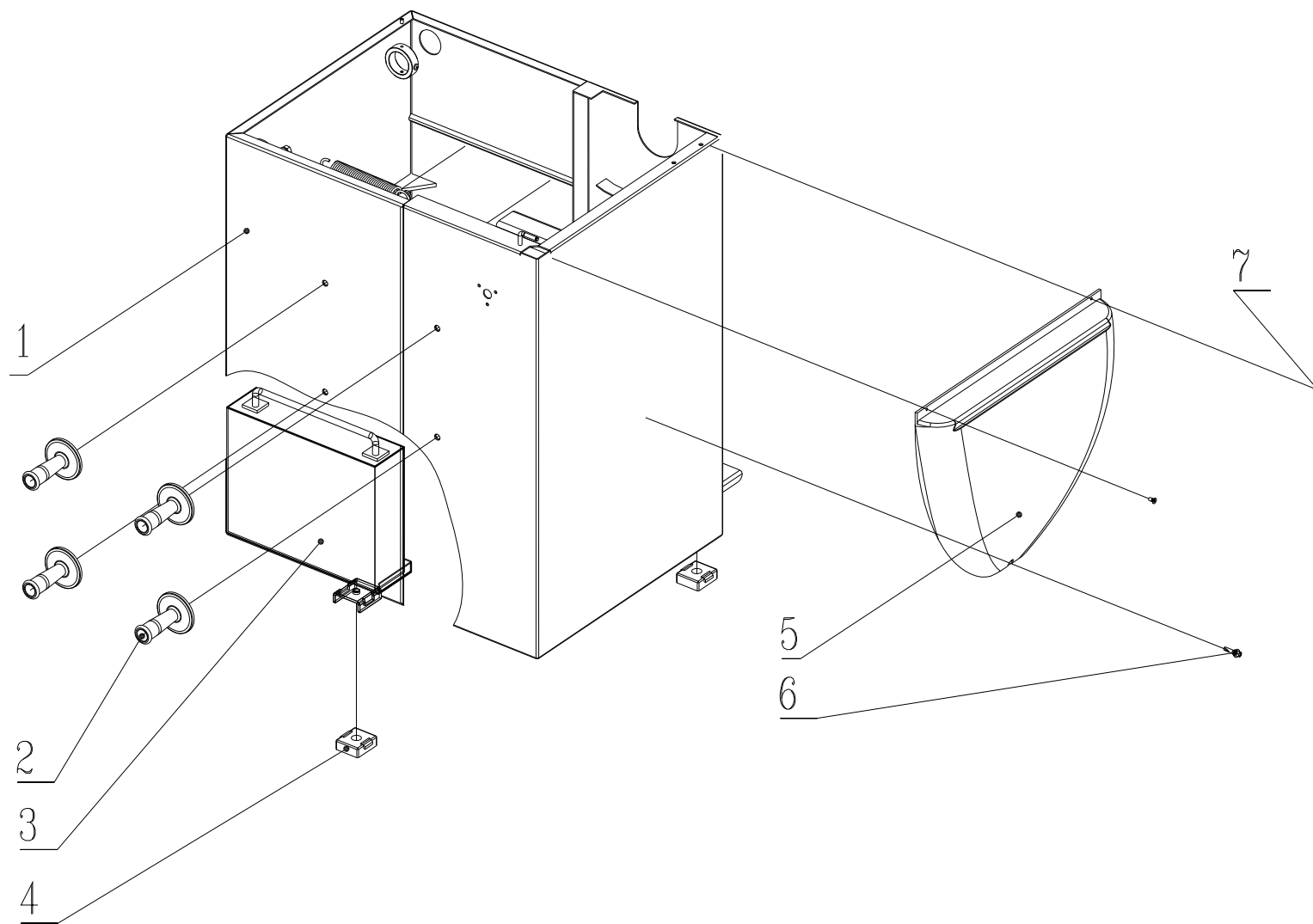
TAV.5.0	FOOT BRAKE	ED. 11/11
---------	------------	-----------

ITEM	PART NO.	DESCRIPTION	QTY	REMARK
1	P1-31301	Pin	1	
2	P1-31302	Brake pedal	1	
3	0213044	Split pin 2X20 - GB/T91	4	
4	P1-31303	Lever	1	
5	P1-31304	Brake	1	
6	0201137	Screw M4X10 - GB/T9074.4	4	
7	P1-31305	Brake cloth	1	
8	P1-31306	Spring	1	
9	P1-31307	Connecting rod	1	
10	0203004	Nut M6 - GB/T6170	3	
11	0205007	Washer D.6 - GB/T5287	2	



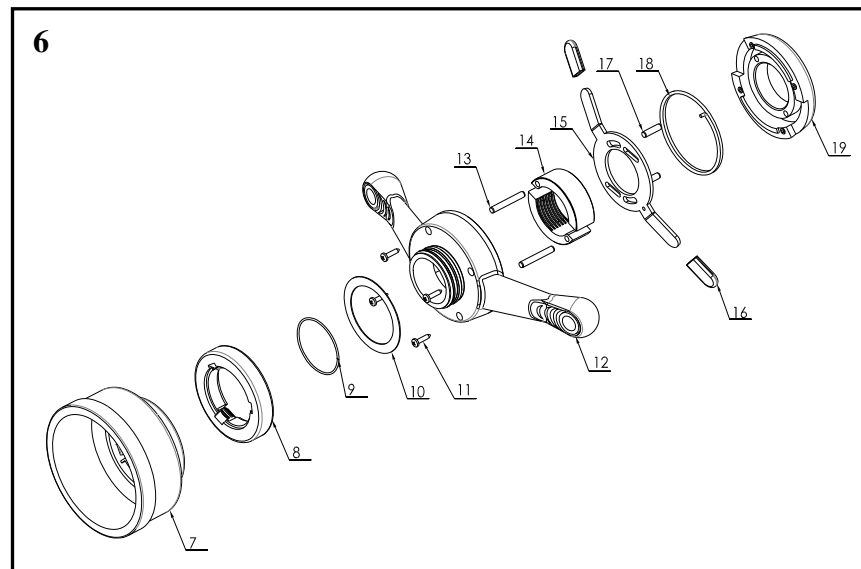
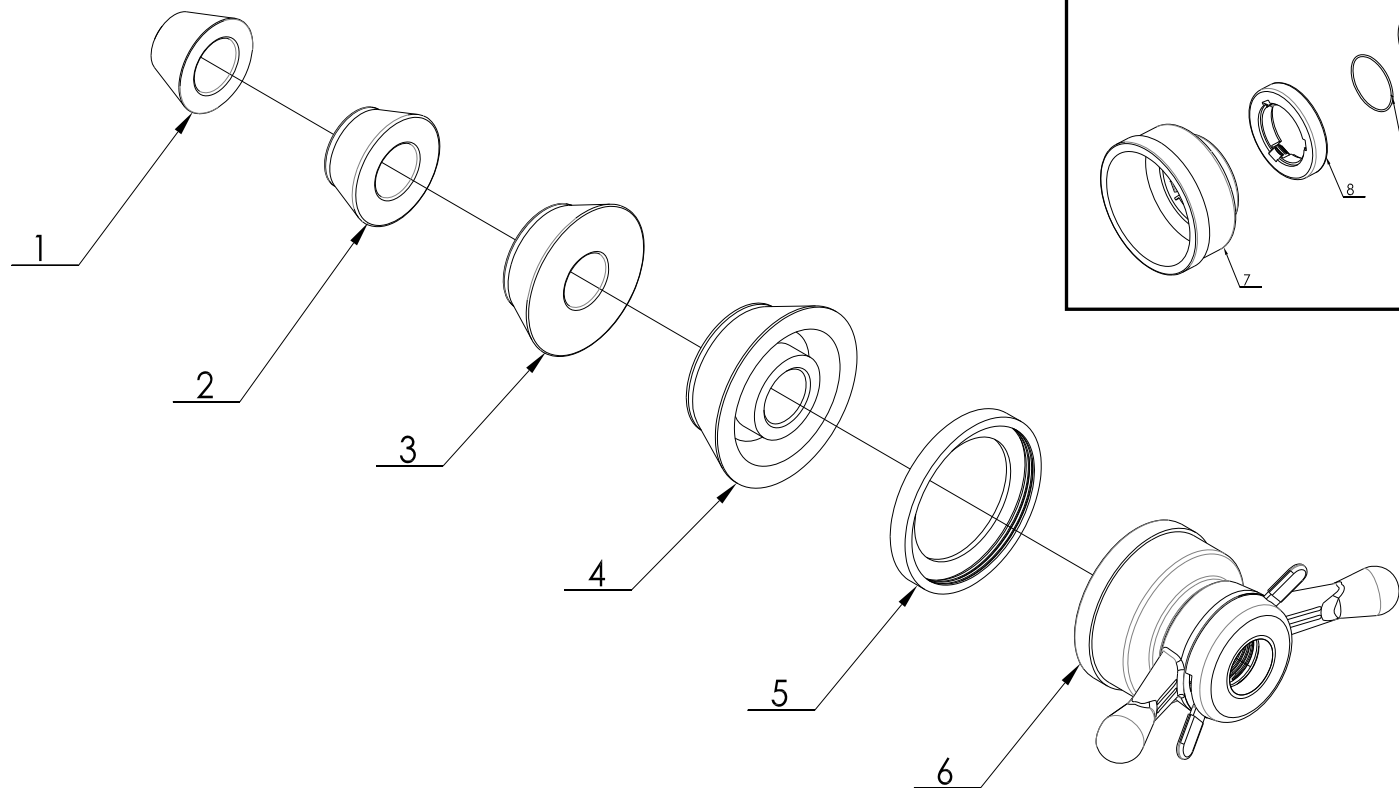
TAV.6.0	POWER BOARD	ED. 11/11
---------	-------------	-----------

ITEM	PART NO.	DESCRIPTION	QTY	REMARK
1	P1-31181	Board support	1	
2	0203019	Nut M18 - GB/T6170	1	
3	0505006	Power switch 20A	1	
4	0208006	Spring washer D.8 - GB/T93	1	
5	0205008	Washer D.8 - GB/T97.1	1	
6	0507115	Cable holder M18	1	
7	0507086	Power board	1	
8a	0507110	Capacitor 50Hz 20VF/450V	1	
8b	0507112	Capacitor 60HZ 35V/300V	1	
9	0206024	Screw M5X10 - GB/T819.1	4	
10	0504010	Fuse 2A	1	
11a	0503046	Power transformer 220V/30VA	1	
11b	0503062	Power transformer 230V/30VA	1	
11c	0503064	Power transformer 110V/30VA	1	
12a	0503034	Braking transformer 220V/40VA	1	
12b	0503061	Braking transformer 230V/40VA	1	
12c	0503063	Braking transformer 110V/40VA	1	



TAV.7.0	BODY	ED. 11/11
---------	------	-----------

ITEM	PART NO.	DESCRIPTION	QTY	REMARK
1	P1-31100	Body	1	
2	P1-22001	Cone holder	4	
3	P1-23101	Counterweight	1	
4	YC1-3002099	Plastic foot	2	
5	P1-20001	Front panel	1	
6	0215028	Self-tapping screw M5.5X2.5	1	
7	0207008	Screw M5X10 - GB/T819.1	2	

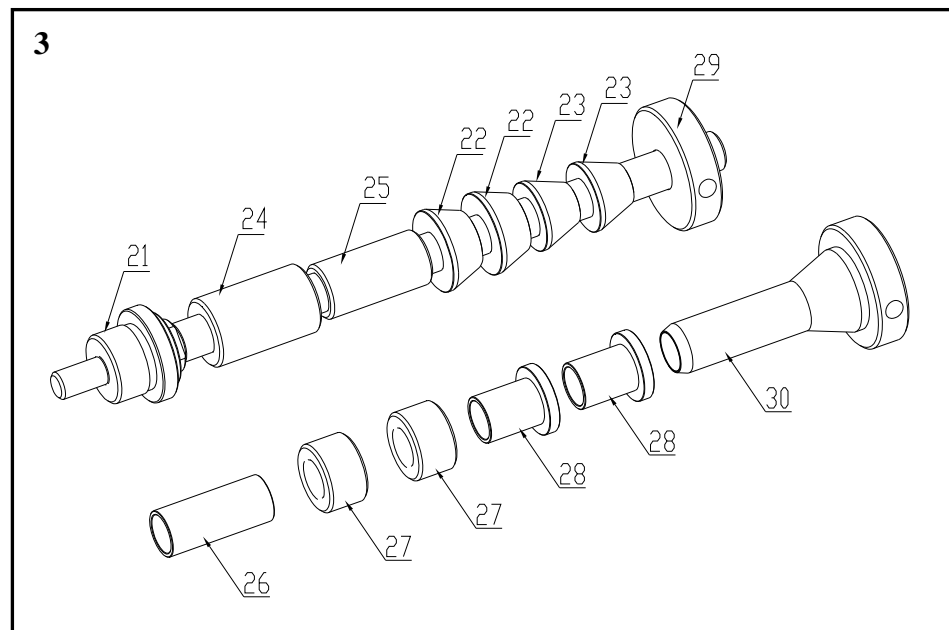
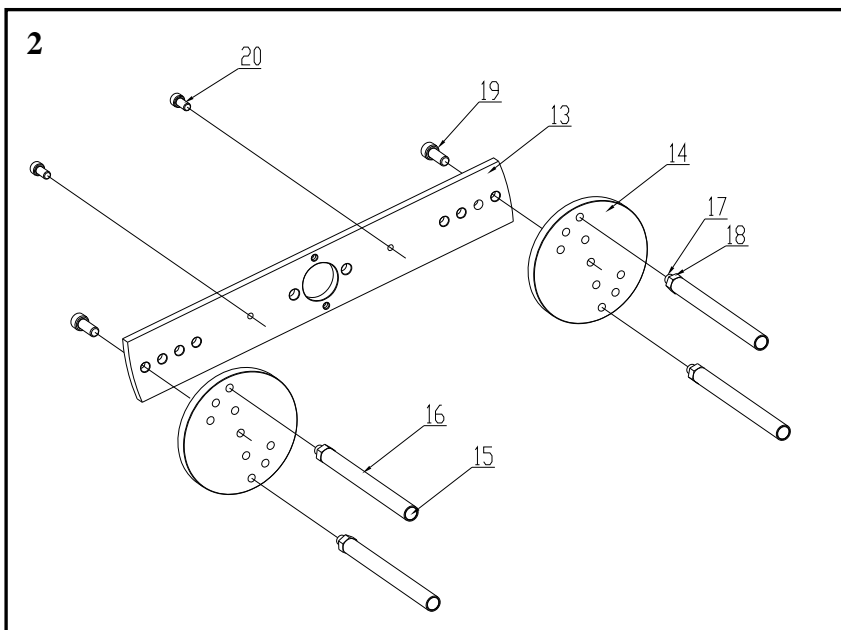
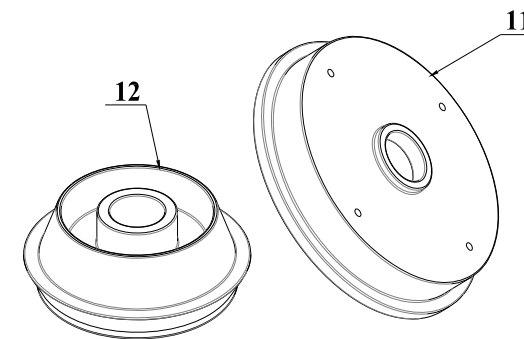
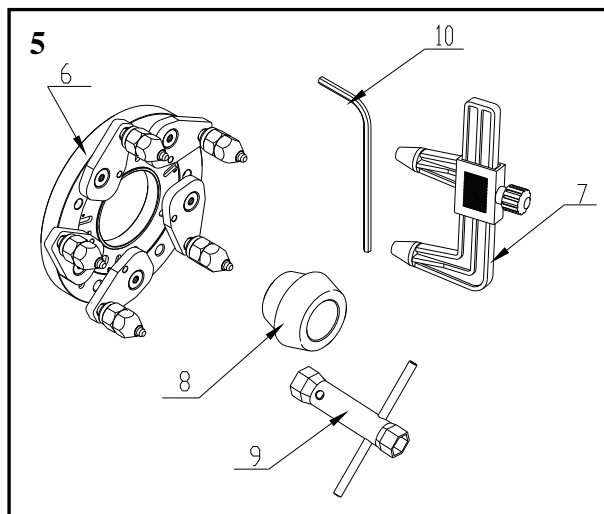
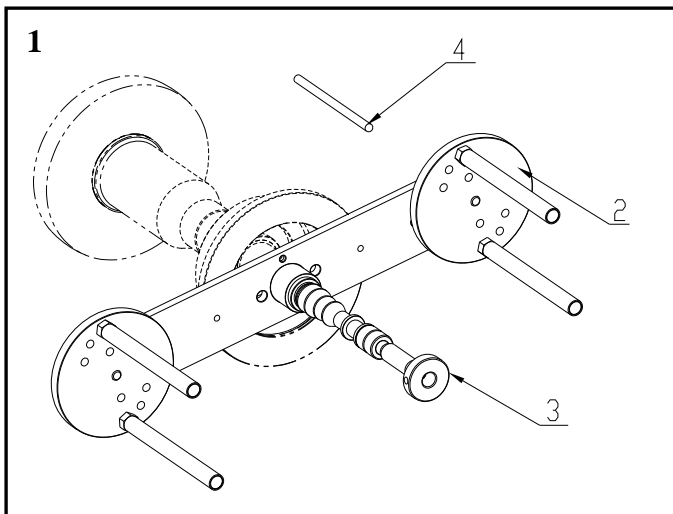


TAV.9.0

STANDARD ACCESSORIES

ED. 11/11

ITEM	PART NO.	DESCRIPTION	QTY	REMARK
1	P1-12001W	Cone 44-70	1	
2	P1-12002W	Cone 59-82	1	
3	P1-12003W	Cone 78-111	1	
4	P1-12004W	Cone 85-132	1	
5	P1-50001	Rubber cap	1	
6	P1-50000	Quick nut kit TR40X3	1	
7	P1-50005	Clamping hood	1	
8	P1-50004	Quick nut	1	
9	P1-50008	Spring	1	
10	P1-50009	Washer	1	
11	GB/T845	Self-tapping screw ST3.5X16	4	
12	P1-50002	Nut lever	1	
13	GB/T119.2	Elastic pin 5X35	2	
14	P1-50012	Clamping nut	1	
15	P1-50006	Clamping plate	1	
16	P1-50013	Lever protection	2	
17	GB/T119.2	Elastic pin 5X18	2	
18	P1-50007	Returning spring	1	
19	P1-50003	Nut flange	1	



TAV.10.0

OPTIONAL ACCESSORIES

ED. 11/11

ITEM	PART NO.	DESCRIPTION	QTY	REMARK
1	PF-14101	Motorcycle adaptor kit	1	
2	PF-811	Spoke support	1	
3	PF-141	Adaptor kit	1	
4	PF-100001	Gauge extension	1	
5	PF-211	Universal adaptor kit	1	
6	PF-211100	Complete flange	1	
7	PF-211820	Holes detector	1	
8	PF-211831	Pre-centering cone	1	
9	PF-211810	T-hexagonal wrench	1	
10	0511090	Hexagonal elbowed wrench	1	
11	PF-221201	Light truck spacer	1	
12	PF-221202	Light truck cone	1	
13	PF-811101	Support plate	1	
14	PF-811102	Flange	2	
15	PF-811201	Pin	4	
16	PF-811202	Pin protection	4	
17	0209045	Screw M10X35 - GB/T77	4	
18	0203009	Nut M10 – GB/T6170	4	
19	0202061	Screw M10X25 – GB/T70.1	2	
20	0202040	Screw M8X16 – GB/T70.1	2	
21	PF-141101	Balancing shaft	1	
22	PF-141201	M/C cone 1	2	
23	PF-141202	M/C cone 2	2	
24	PF-141301	Spacer 1	1	
25	PF-141302	Spacer 2	1	
26	PF-141303	Spacer 3	1	
27	PF-141304	Spacer 4	2	

TAV.10.0	OPTIONAL ACCESSORIES	ED. 11/11
----------	----------------------	-----------

28	PF-141305	Spacer 5	2
29	PF-141401	Locking nut	1
30	PF-141402	Spacer	1