

| | | |
|-------|-------------------|-----------|
| TAV.0 | GENERAL BREAKDOWN | ED. 04/14 |
|-------|-------------------|-----------|

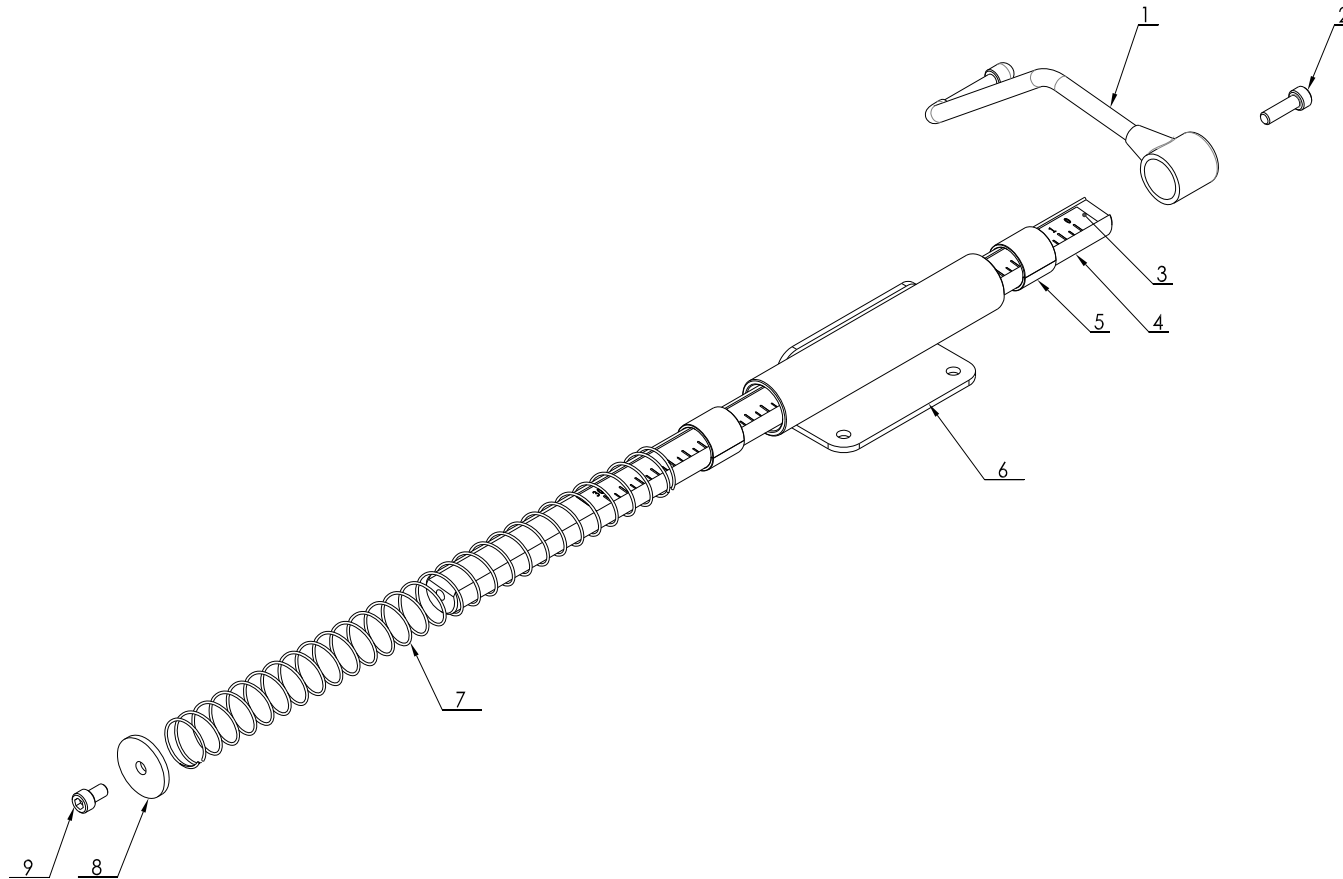
| ITEM | PART NO. | DESCRIPTION | QTY | REMARK |
|------|----------|-------------------------------|-----|--------|
| 1 | P2-22001 | Plastic frame | 1 | |
| 2 | 0507136 | Control panel | 1 | |
| 3 | P2-22002 | Back cover | 1 | |
| 4 | 0205004 | Washer D.5 - GB/T97.1 | 10 | |
| 5 | 0206041 | Screw M5X12 - GB/T818 | 6 | |
| 6 | 0208003 | Locking washer D.5 - GB/T93 | 4 | |
| 7 | 0202016 | Screw M5X12 - GB/T70.1 | 4 | |
| 8 | P2-21200 | Panel bracket | 1 | |
| 9 | 0202040 | Screw M8X16 - GB/T70.1 | 9 | |
| 10 | 0202093 | Screw M8X50 - GB/T70.1 | 1 | |
| 11 | P2-21100 | Bracket support | 1 | |
| 12 | 0202045 | Screw M8X20 - GB/T70.1 | 7 | |
| 13 | 0208006 | Locking washer D.8 - GB/T93 | 13 | |
| 14 | 0205008 | Washer D.8 - GB/T97.1 | 5 | |
| 15 | P2-20003 | Weight tray | 1 | |
| 16 | P1-31181 | Power board support | 1 | |
| 17 | 0201017 | Screw M5X10 - GB/T9074.4 | 12 | |
| 18 | 0507086 | Power board | 1 | |
| 19 | P1-31182 | Cooling bracket | 1 | |
| 20a | 0508268 | Capacitor 50Hz 20uF/450V | 1 | |
| 20b | 0508269 | Capacitor 60HZ 35uF/300V | 1 | |
| 21a | 0503046 | Power transformer 220V/30VA | 1 | |
| 21b | 0503062 | Power transformer 230V/30VA | 1 | |
| 21c | 0503064 | Power transformer 110V/30VA | 1 | |
| 22a | 0503034 | Braking transformer 220V/40VA | 1 | |
| 22b | 0503061 | Braking transformer 230V/40VA | 1 | |
| 22c | 0503063 | Braking transformer 110V/40VA | 1 | |

| | | |
|-------|-------------------|-----------|
| TAV.0 | GENERAL BREAKDOWN | ED. 04/14 |
|-------|-------------------|-----------|

| | | | |
|----|-------------|-----------------------------|---|
| 23 | 0203008 | Nut M8 - GB52 | 1 |
| 24 | 0201038 | Screw M8X25 - GB/T5783 | 1 |
| 25 | 0203029 | Nut M8 - GB/T6170 | 1 |
| 26 | P2-23101 | Connection plate | 1 |
| 27 | 0201135 | Screw M3X8 - GB/T9074.4 | 4 |
| 28 | 0201149 | Isolation pin | 4 |
| 29 | P2-31181 | Board support | 1 |
| 30 | 0507185 | CPU board | 1 |
| 31 | P1-42001 | Side cap | 1 |
| 32 | P2-31100A | Casing | 1 |
| 33 | 0215028 | Self-tapping screw 5.5X25 | 4 |
| 34 | P1-31232 | Wheel guard spring | 1 |
| 35 | 0201030 | Screw M8X30 - GB/T5781 | 2 |
| 36 | 0505006 | Power switch 20A | 1 |
| 37 | P1-20001 | Plastic front | 1 |
| 38 | P1-22001 | Cone holder | 3 |
| 39 | P1-41000B | Distance gauge assembly | 1 |
| 40 | 0202032 | Screw M6X16 - GB/T70.1 | 2 |
| 41 | 0208005 | Locking washer D.6 - GB/T93 | 2 |
| 42 | 0205006 | Washer D.6 - GB/T97.1 | 2 |
| 43 | 0207046 | Screw M4X10 - GB/T973 | 3 |
| 44 | YC1-3002099 | Plastic foot | 3 |
| 45 | P1-31231 | Bush | 2 |
| 46 | 0206014 | Screw M5X6 - GB/T818 | 1 |
| 47 | P1-31205 | Positioning bush | 1 |
| 48 | 0209046 | Screw M8X10 - GB/T80 | 2 |
| 49 | P1-31220 | Switch support | 1 |

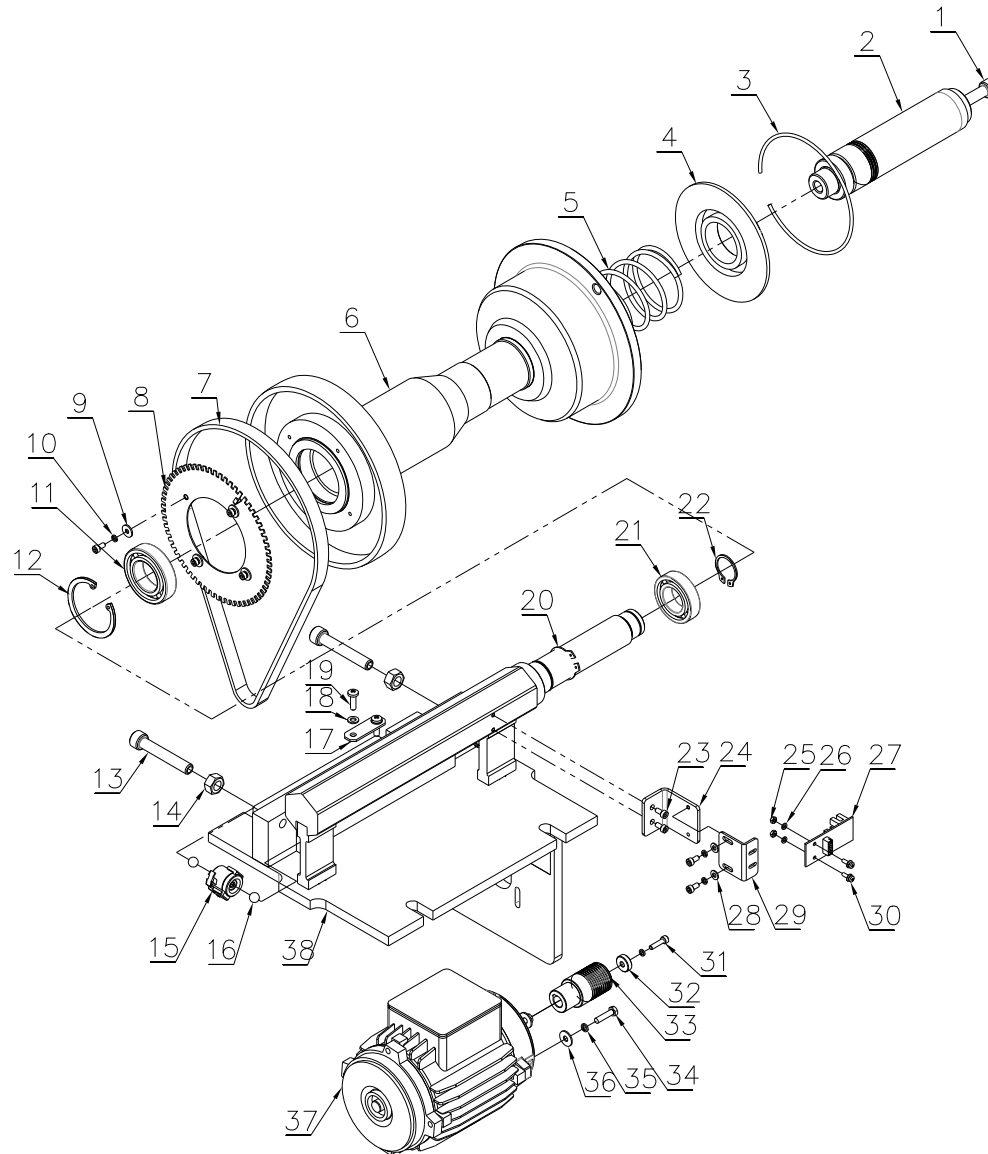
| | | |
|-------|-------------------|-----------|
| TAV.0 | GENERAL BREAKDOWN | ED. 04/14 |
|-------|-------------------|-----------|

| | | | |
|----|-----------|------------------------------|---|
| 50 | P1-31402 | Wheel guard | 1 |
| 51 | P1-31401A | Wheel guard frame | 1 |
| 52 | P1-31210 | Wheel guard shaft | 1 |
| 53 | 0505017 | Limit switch 7311 | 1 |
| 54 | P1-31240A | Wheel guard arm | 1 |
| 55 | 0202062 | Screw M10X30 - GB/T70.1 | 4 |
| 56 | 0208007 | Locking washer D.10 - GB/T93 | 4 |
| 57 | 0205011 | Washer D.10 - GB/T97.1 | 4 |
| 58 | P1B-11000 | Balancing shaft assembly | 1 |
| 59 | P1-31305 | Braking cloth | 1 |
| 60 | 0201137 | Screw M4X10 - GB/T9074.4 | 2 |
| 61 | P1-31307 | Connecting rod | 1 |
| 62 | P1-31303 | Lever | 1 |
| 63 | P1-31304 | Brake | 1 |
| 64 | 0203004 | Nut M6 - GB/T52 | 3 |
| 65 | 0205007 | Washer D.6 - GB/T96 | 2 |
| 66 | P1-31301 | Pin | 1 |
| 67 | 0213044 | Split pin 2X20 - GB/T91 | 4 |
| 68 | P1-31302 | Brake pedal | 1 |
| 69 | P1-31306 | Spring | 1 |
| 70 | 0507135 | Display board | 1 |



| | | |
|----------|-------------------------|-----------|
| TAV.39.0 | DISTANCE GAUGE ASSEMBLY | ED. 04/14 |
|----------|-------------------------|-----------|

| ITEM | PART NO. | DESCRIPTION | QTY | REMARK |
|------|-----------|---------------------------|-----|--------|
| 1 | P1-41200B | Index | 1 | |
| 2 | 0202033 | Screw M6X20 - GB/T70.1 | 1 | |
| 3 | P1-41109 | Scale decal | 1 | |
| 4 | P1-41101B | Gauge rod | 1 | |
| 5 | 0210002 | Self-lubricated bush 2020 | 2 | |
| 6 | P1-41300 | Gauge support | 1 | |
| 7 | P1-41212B | Spring | 1 | |
| 8 | P1-41213B | Washer | 1 | |
| 9 | 202030 | Screw M6X10 - GB/T70.1 | 1 | |



| | | |
|----------|--------------------------|-----------|
| TAV.58.0 | BALANCING SHAFT ASSEMBLY | ED. 04/14 |
|----------|--------------------------|-----------|

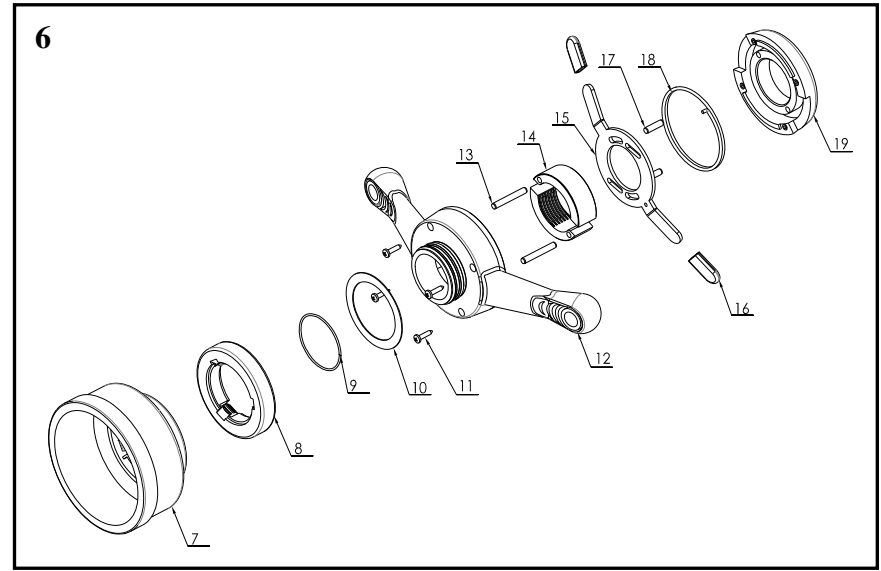
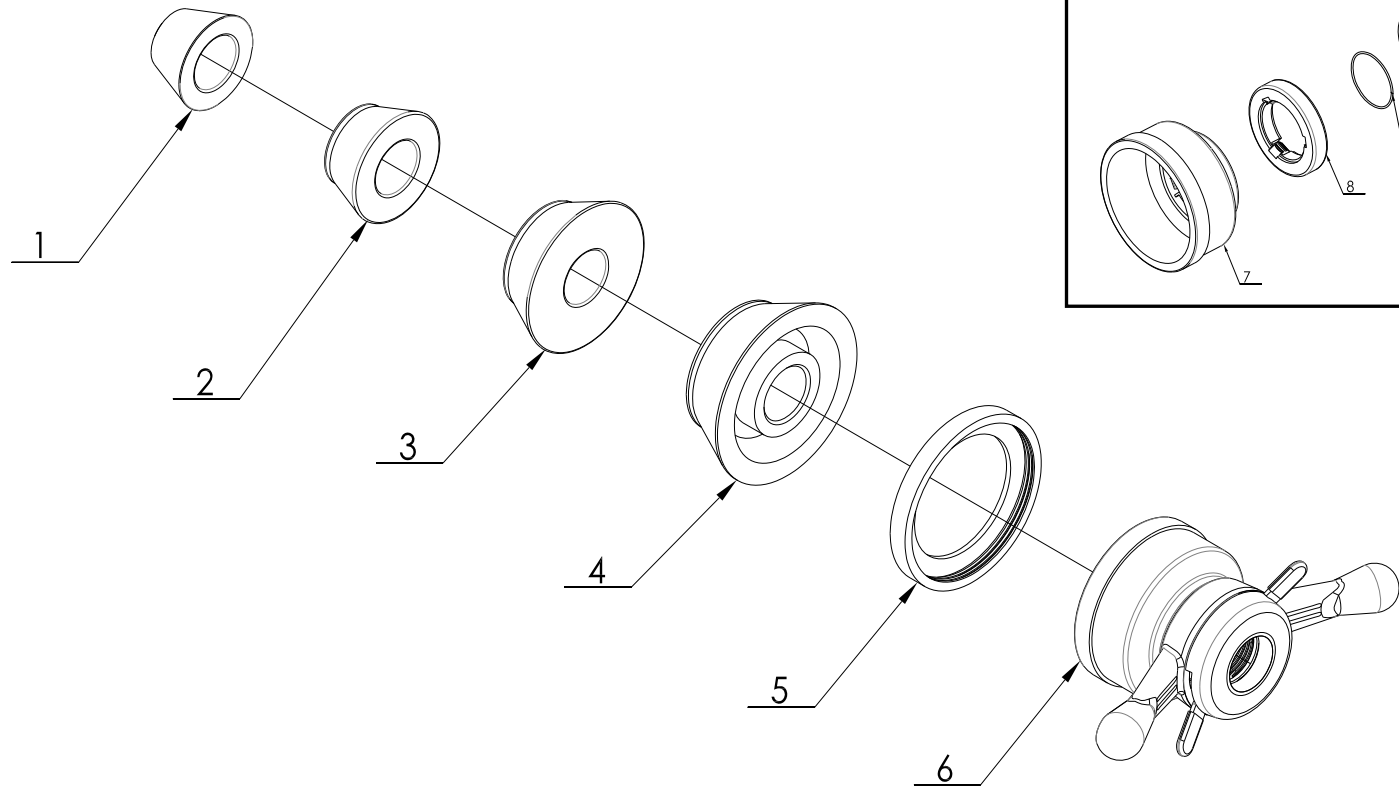
| ITEM | PART NO. | DESCRIPTION | QTY | REMARK |
|------|------------|-----------------------------|-----|--------|
| 1 | 0202064 | Screw M10X160 - GB/T70.1 | 1 | |
| 2 | P1-10021 | Thread end piece | 1 | |
| 3 | P1-11012 | Seeger ring | 1 | |
| 4 | P1-11011 | Cover | 1 | |
| 5 | P1-11010 | Captured spring | 1 | |
| 6 | P1-10010 | Balancing wheel | 1 | |
| 7 | 0511049 | Drive belt 6-J290 | 1 | |
| 8 | P1-11002 | Phase disk | 1 | |
| 9 | 0205003 | Washer D.4 - GB/T96 | 4 | |
| 10 | 0208002 | Locking washer D.4 - GB/T93 | 7 | |
| 11 | 0214002 | Bearing 6006 | 1 | |
| 12 | 0211006 | Seeger D.55 | 1 | |
| 13 | P1-11004 | Special screw | 2 | |
| 14 | 0203011 | Nut M10 - GB/T6170 | 2 | |
| 15 | 0507087 | Piezo sensor | 2 | |
| 16 | 0215068 | Steel ball D.9 | 4 | |
| 17 | P1-11013 | Fastening plate | 1 | |
| 18 | 0205004 | Washer D.5 - GB/T97.1 | 2 | |
| 19 | 0206026 | Screw M5X16 - GB/T818 | 2 | |
| 20 | 0212021 | Seeger D.30 - GB/T894.1 | 1 | |
| 21 | 0214001 | Bearing 6005 | 1 | |
| 22 | 0212004 | Seeger D.25 - GB/T894.1 | 1 | |
| 23 | 0202008 | Screw M4X8 - GB/T70.1 | 8 | |
| 24 | P10A300001 | Support | 1 | |
| 25 | 0203001 | Nut M3 - GB/T52 | 2 | |
| 26 | 0205001 | Washer D.3 - GB/T97.1 | 2 | |
| 27 | 0507085 | Phase encoder | 1 | |

TAV.58.0

BALANCING SHAFT ASSEMBLY

ED. 04/14

| | | | |
|-----|-----------|-----------------------------|---|
| 28 | 0205002 | Washer D.4 - GB/T97.1 | 2 |
| 29 | P1-11005 | Encoder support | 1 |
| 30 | 0201136 | Screw M3X10 - GB/T9074.4 | 2 |
| 31 | 0202011 | Screw M4X16 - GB/T70.1 | 1 |
| 32 | P1-11007Y | Washer | 1 |
| 33 | P1-11003Y | Motor pulley | 1 |
| 34 | 0201115 | Screw M5X20 - GB/T5781 | 4 |
| 35 | 0208003 | Locking washer D.5 - GB/T93 | 4 |
| 36 | 0205005 | Washer D.5 - GB/T96 | 4 |
| 37a | 0509008 | Motor 220V/50Hz 0.18KW | 1 |
| 37b | 0509022 | Motor 220V/60Hz 0.18KW | 1 |
| 37c | 0509082 | Motor 230V/50Hz 0.18KW | 1 |
| 37d | 0509083 | Motor 110V/60Hz 0.18KW | 1 |
| 38 | P1B-11100 | Complete shaft | 1 |



STANDARD ACCESSORIES

ED. 04/14

| ITEM | PART NO. | DESCRIPTION | QTY | REMARK |
|-------------|-----------------|-----------------------------|------------|---------------|
| 1 | P1-12001W | Cone 44-70 | 1 | |
| 2 | P1-12002W | Cone 59-82 | 1 | |
| 3 | P1-12003W | Cone 78-111 | 1 | |
| 4 | P1-12004W | Cone 85-132 | 1 | |
| 5 | P1-50001 | Rubber cap | 1 | |
| 6 | P1-50000 | Quick nut kit TR40X3 | 1 | |
| 7 | P1-50005 | Clamping hood | 1 | |
| 8 | P1-50004 | Quick nut | 1 | |
| 9 | P1-50008 | Spring | 1 | |
| 10 | P1-50009 | Washer | 1 | |
| 11 | 0207058 | Self-tapping screw ST3.5X16 | 4 | |
| 12 | P1-50002 | Handle | 1 | |
| 13 | 0213074 | Elastic pin 5X35 | 2 | |
| 14 | P1-50012 | Clamp | 1 | |
| 15 | P1-50006 | Clamping plate | 1 | |
| 16 | P1-50013 | Plastic cover | 2 | |
| 17 | 0213085 | Pin 5X18 - GB/T119.2 | 2 | |
| 18 | P1-50007 | Returning spring | 1 | |
| 19 | P1-50003 | Nut flange | 1 | |