

|       |                   |           |
|-------|-------------------|-----------|
| TAV.0 | GENERAL BREAKDOWN | ED. 05/12 |
|-------|-------------------|-----------|

| ITEM | PART NO.  | DESCRIPTION                 | QTY | REMARK |
|------|-----------|-----------------------------|-----|--------|
| 1    | P4-31001  | Side tool tray              | 1   |        |
| 2    | 0505006   | Power switch 20A            | 1   |        |
| 3    | P4-31200  | Side casing                 | 1   |        |
| 4    | P4-01000  | Control panel               | 1   |        |
| 5    | 0507174   | Encoder                     | 1   |        |
| 6    | P4-01002  | Knob 30X25X20               | 1   |        |
| 7    | P4-01003  | Panel                       | 1   |        |
| 8    | P4-01001  | Rubber keypad               | 1   |        |
| 9    | 0205003   | Washer D.4 - GB/T96         | 3   |        |
| 10   | 0507173   | Keypad board                | 1   |        |
| 11   | 0508309   | Monitor 19"                 | 1   |        |
| 12   | P4A-00003 | Monitor support             | 1   |        |
| 13   | P4A-00002 | Tilting arm                 | 1   |        |
| 14   | 0205009   | Washer D.8 - GB/T96         | 8   |        |
| 15   | 0206037   | Screw M8X25                 | 4   |        |
| 16   | P4-00002  | Monitor support             | 1   |        |
| 17   | P4-00001  | Weight tray                 | 1   |        |
| 18   | 0204047   | Captive nut M6              | 6   |        |
| 19   | 0206050   | Screw M6X10 - GB/T70.2      | 6   |        |
| 20   | P1-31181  | Power board support         | 1   |        |
| 21   | 0507086   | Power board                 | 1   |        |
| 22   | P1-31182  | Cooler bracket              | 1   |        |
| 23a  | 0507110   | Capacitor 50Hz 20VF/450V    | 1   |        |
| 23b  | 0507112   | Capacitor 60HZ 35V/300V     | 1   |        |
| 24a  | 0503046   | Power transformer 220V/30VA | 1   |        |
| 24b  | 0503062   | Power transformer 230V/30VA | 1   |        |
| 24c  | 0503064   | Power transformer 110V/30VA | 1   |        |

|       |                   |           |
|-------|-------------------|-----------|
| TAV.0 | GENERAL BREAKDOWN | ED. 05/12 |
|-------|-------------------|-----------|

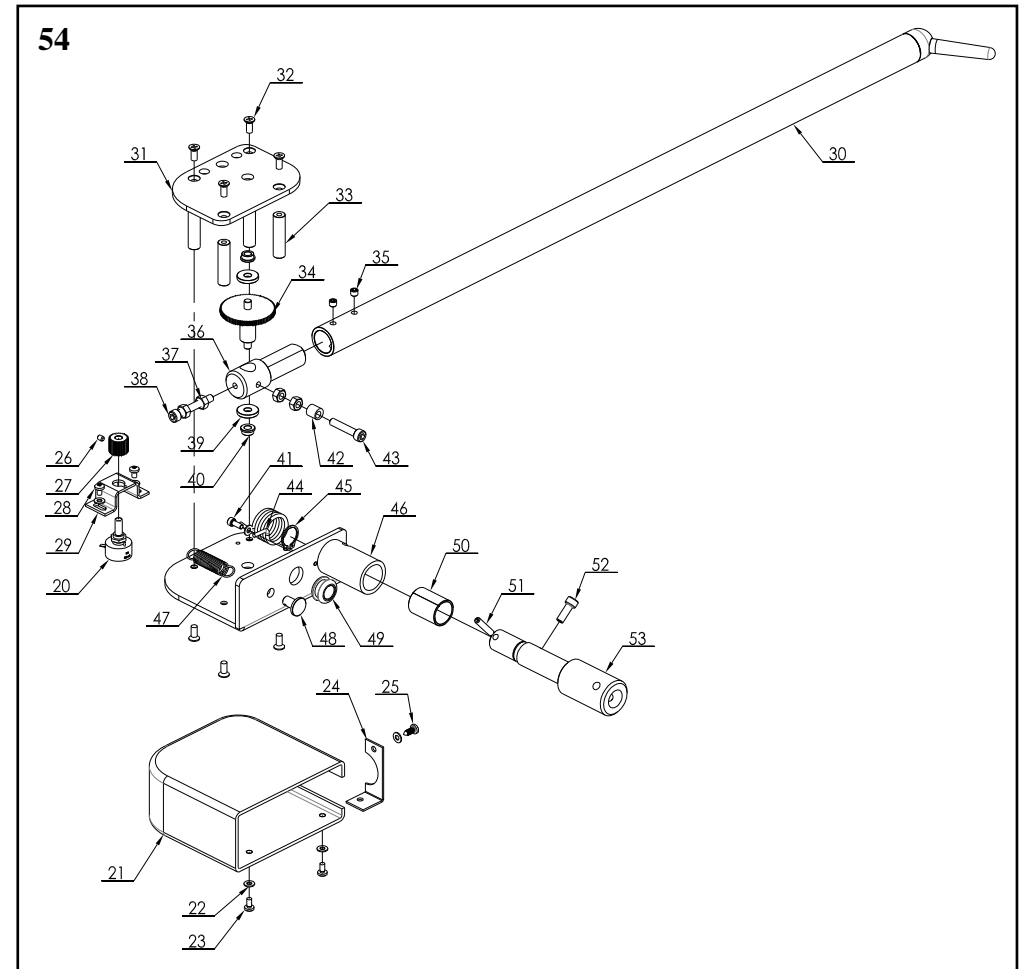
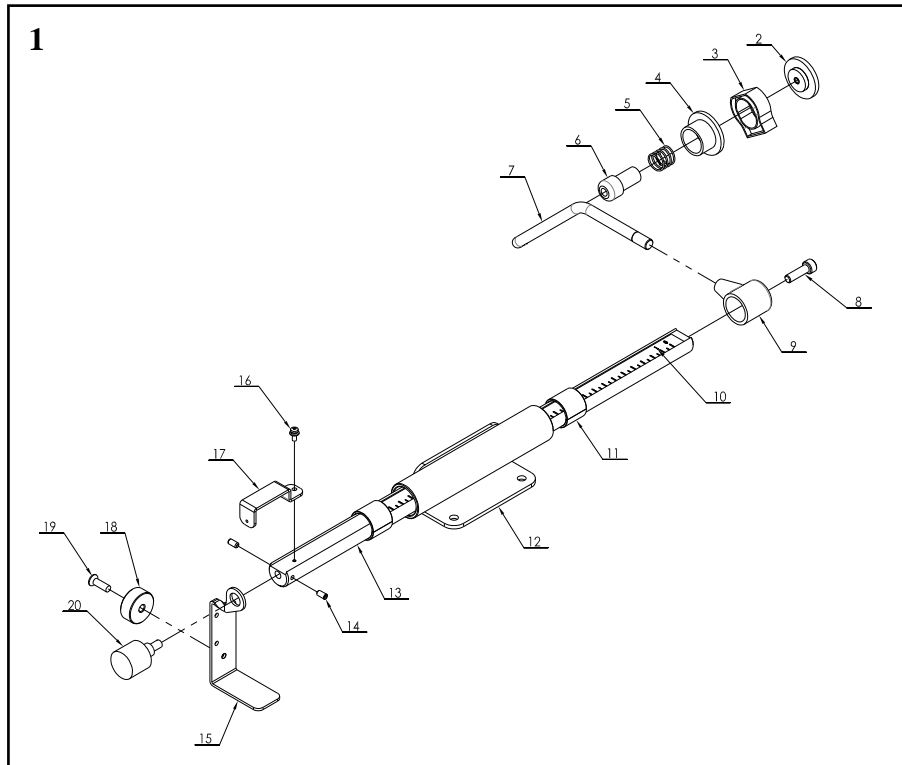
|     |             |                               |    |
|-----|-------------|-------------------------------|----|
| 25  | 0201017     | Screw M5X10 - GB/T9074.4      | 12 |
| 26a | 0503034     | Braking transformer 220V/40VA | 1  |
| 26b | 0503061     | Braking transformer 230V/40VA | 1  |
| 26c | 0503063     | Braking transformer 110V/40VA | 1  |
| 27  | P1-22001    | Cone holder                   | 2  |
| 28  | P1-21001    | Small pulley                  | 1  |
| 29  | 0212012     | Seeger D.6                    | 2  |
| 30  | P4-11000    | Front metal panel             | 1  |
| 31  | P4-00006    | Front plastic panel           | 1  |
| 32  | P1-41000    | A/D gauge unit                | 1  |
| 33  | 0202032     | Screw M6X16 - GB/T70.1        | 3  |
| 34  | 0208005     | Spring washer D.6 - GB/T93    | 9  |
| 35  | 0205006     | Washer D.6 - GB/T97.1         | 9  |
| 36  | P1-21102    | Pulley                        | 1  |
| 37  | 0507091     | Gauge wire L=1600             | 2  |
| 38  | 0202005     | Screw M4X25 - GB/T70.1        | 3  |
| 39  | 0508002     | Potentiometer 10K             | 1  |
| 40  | P1-21103    | Spring                        | 1  |
| 41  | YC1-3002099 | Plastic foot                  | 2  |
| 42  | P4-31100    | Casing                        | 1  |
| 43  | 0201030     | Screw M8X30 - GB/T5781        | 2  |
| 44  | P1-31232    | Wheel guard spring            | 1  |
| 45  | 0201038     | Screw M8X25 - GB/T5783        | 1  |
| 46  | 0203008     | Nut M8 - GB52                 | 2  |
| 47  | 0208006     | Spring washer D.8 - GB/T93    | 11 |
| 48  | 0205008     | Washer D.8 - GB97.1           | 4  |
| 49  | 0202045     | Screw M8X20 - GB/T70.1        | 3  |

|       |                   |           |
|-------|-------------------|-----------|
| TAV.0 | GENERAL BREAKDOWN | ED. 05/12 |
|-------|-------------------|-----------|

|    |           |                             |    |
|----|-----------|-----------------------------|----|
| 50 | 0201149   | Isolation pin               | 4  |
| 51 | P4A-00001 | Board support               | 1  |
| 52 | 0507175   | Computer board              | 1  |
| 53 | 0201135   | Screw M3X8 - GB/T9074.4     | 11 |
| 54 | P1-31210  | Swivel                      | 1  |
| 55 | 0209046   | Screw M8X10 - GB/T80        | 2  |
| 56 | P1-31205  | Alignment bush              | 1  |
| 57 | P1-31231  | Bush                        | 2  |
| 58 | 0206014   | Screw M5X6 - GB/T818        | 1  |
| 59 | 0505017   | Limit switch 7311           | 1  |
| 60 | P1-31220  | Switch support              | 1  |
| 61 | P4-60001  | Pin                         | 1  |
| 62 | 0201127   | Screw M8X60 - GB/T27        | 2  |
| 63 | 0204004   | Nut M8 - GB/T889.1          | 6  |
| 64 | P4-62000  | Support                     | 1  |
| 65 | 0202040   | Screw M8X16 - GB/T70.1      | 10 |
| 66 | P4-63000  | Guard support               | 1  |
| 67 | P4-00005  | Wheel guard                 | 1  |
| 68 | P4-61000  | B gauge unit                | 1  |
| 69 | 0508279   | Cable connector             | 1  |
| 70 | P1-11000  | Balancing shaft             | 1  |
| 71 | 0202062   | Screw M10X30 - GB/T70.1     | 4  |
| 72 | 0208007   | Spring washer D.10 - GB/T93 | 4  |
| 73 | 0205011   | Washer D.10 - GB/T97.1      | 4  |
| 74 | P1-31305  | Braking cloth               | 1  |
| 75 | P1-31304  | Brake                       | 1  |
| 76 | P1-31307  | Connecting rod              | 1  |

|       |                   |           |
|-------|-------------------|-----------|
| TAV.0 | GENERAL BREAKDOWN | ED. 05/12 |
|-------|-------------------|-----------|

|    |          |                          |    |
|----|----------|--------------------------|----|
| 77 | P1-31303 | Lever                    | 1  |
| 78 | 0201137  | Screw M4X10 - GB/T9074.4 | 2  |
| 79 | 0213044  | Split pin 2X20 - GB/T91  | 4  |
| 80 | P1-31301 | Pin                      | 1  |
| 81 | 0205007  | Washer D.6 - GB/T96      | 2  |
| 82 | 0203004  | Nut M6 - GB/T52          | 10 |
| 83 | P1-31306 | Spring                   | 1  |
| 84 | P1-31302 | Brake pedal              | 1  |



TAV.32.68

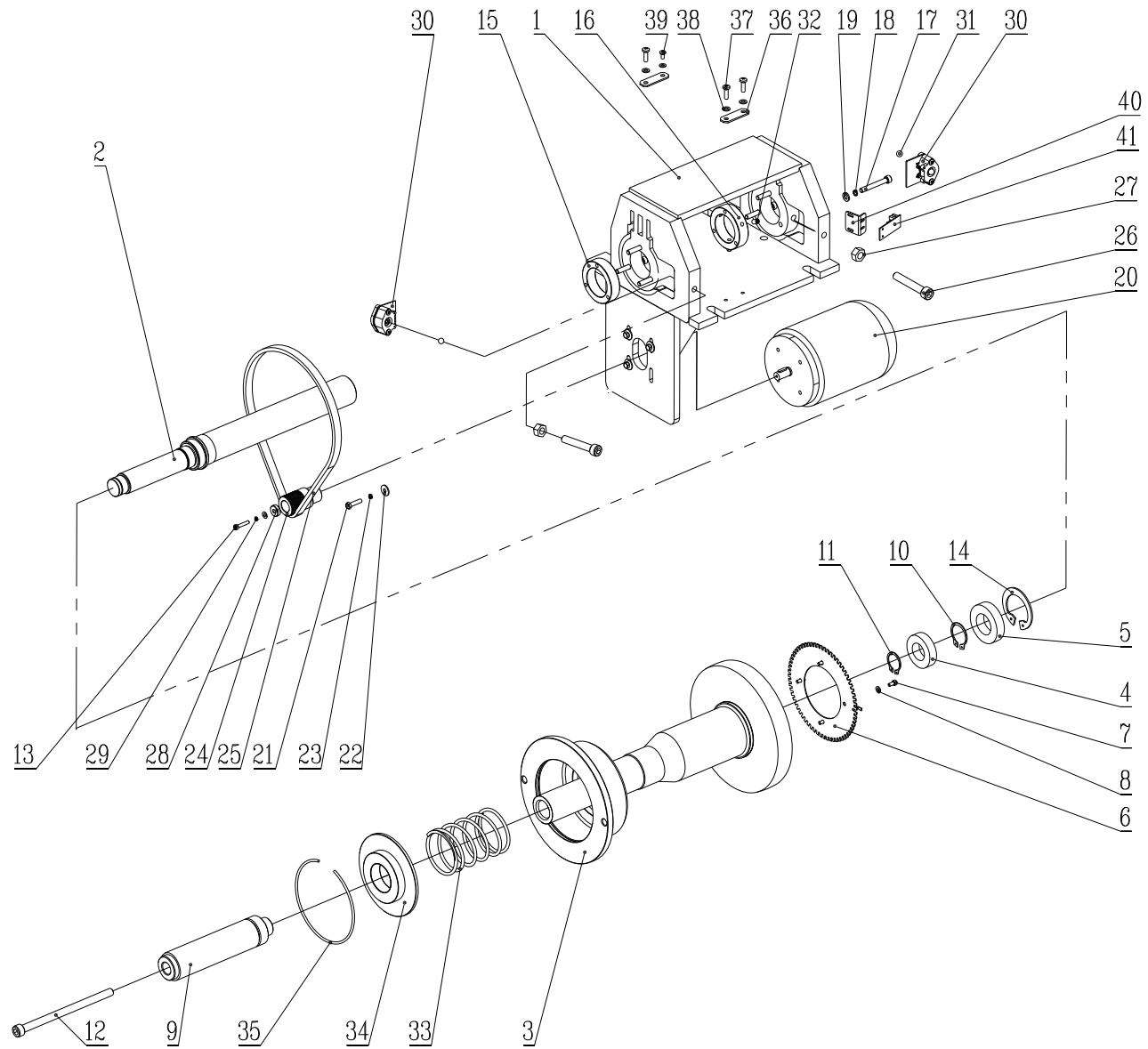
## MEASURING GAUGES

ED. 05/12

| ITEM | PART NO. | DESCRIPTION                           | QTY | REMARK |
|------|----------|---------------------------------------|-----|--------|
| 1    | P1-41000 | A/D gauge unit                        | 1   |        |
| 2    | P1-41220 | Index tip                             | 1   |        |
| 3    | P1-41205 | Weight pusher                         | 1   |        |
| 4    | P1-41204 | Pincher                               | 1   |        |
| 5    | P1-21101 | Spring                                | 1   |        |
| 6    | P1-41203 | Revolving piece                       | 1   |        |
| 7    | P1-41202 | Gauge index                           | 1   |        |
| 8    | 0202033  | Screw M6X20 - GB/T70.1                | 1   |        |
| 9    | P1-41201 | Index support                         | 1   |        |
| 10   | P1-41109 | Scale decal                           | 1   |        |
| 11   | 0210002  | Self-lubricated bush 2020             | 2   |        |
| 12   | P1-41300 | Gauge support                         | 1   |        |
| 13   | P1-41101 | Gauge rod                             | 1   |        |
| 14   | 0209017  | Screw M4X8 – GB/T80                   | 2   |        |
| 15   | P1-41105 | Potentiometer limit                   | 1   |        |
| 16   | 0201135  | Screw M3X8 – GB/T9074.4               | 1   |        |
| 17   | P1-41104 | Potentiometer support                 | 1   |        |
| 18   | P1-41108 | Counterweight                         | 1   |        |
| 19   | 0207006  | Screw M5X16 – GB/T819.1               | 1   |        |
| 20   | 0508002  | Potentiometer 1W/10K                  | 2   |        |
| 21   | P4-61005 | Protection                            | 1   |        |
| 22   | 0205002  | Washer D.4 - GB/T97.1                 | 6   |        |
| 23   | 0206023  | Screw M4X8 - GB/T818                  | 2   |        |
| 24   | P4-61001 | L plate                               | 1   |        |
| 25   | 0207035  | Self-tapping screw ST4.2X12 - GB/T845 | 1   |        |
| 26   | 0209053  | Screw M4X5 - GB/T80                   | 1   |        |
| 27   | P4-61011 | Small gear                            | 1   |        |

|    |          |                           |   |
|----|----------|---------------------------|---|
| 28 | 0206019  | Screw M4X6 - GB/T818      | 2 |
| 29 | P4-61006 | Support                   | 1 |
| 30 | P4-61100 | Gauge rod                 | 1 |
| 31 | P4-61012 | Cover                     | 1 |
| 32 | 0207009  | Screw M5X12 - GB/T819     | 8 |
| 33 | P4-61004 | Spacer pin                | 4 |
| 34 | P4-61010 | gear                      | 1 |
| 35 | 0209047  | Screw M6X6 - GB/T80       | 4 |
| 36 | P4-61014 | Pin                       | 1 |
| 37 | 0203004  | Nut M6 - GB/T52           | 4 |
| 38 | 0202035  | Screw M6X40 - GB/T70.1    | 1 |
| 39 | P4-61009 | Spacer                    | 2 |
| 40 | P4-61008 | Bush                      | 2 |
| 41 | 0202022  | Screw M4X10 - GB/T70.1    | 1 |
| 42 | P4-61015 | Cam                       | 1 |
| 43 | 0202026  | Screw M6X30 - GB/T70.1    | 1 |
| 44 | P4-61012 | Return spring             | 1 |
| 45 | 0212016  | Seeger D.18               | 1 |
| 46 | P4-61300 | Support                   | 1 |
| 47 | P4-61013 | Spring                    | 1 |
| 48 | P4-61007 | Spring pin                | 1 |
| 49 | 0606024  | Cable holder              | 1 |
| 50 | 0210004  | Self-lubricated bush 2030 | 1 |
| 51 | 0213004  | Elastic pin 5X25          | 1 |
| 52 | 0202032  | Spring M6X16 - GB/T70.1   | 1 |
| 53 | P4-61003 | Pin                       | 1 |
| 54 | P4-61000 | B gauge unit              | 1 |



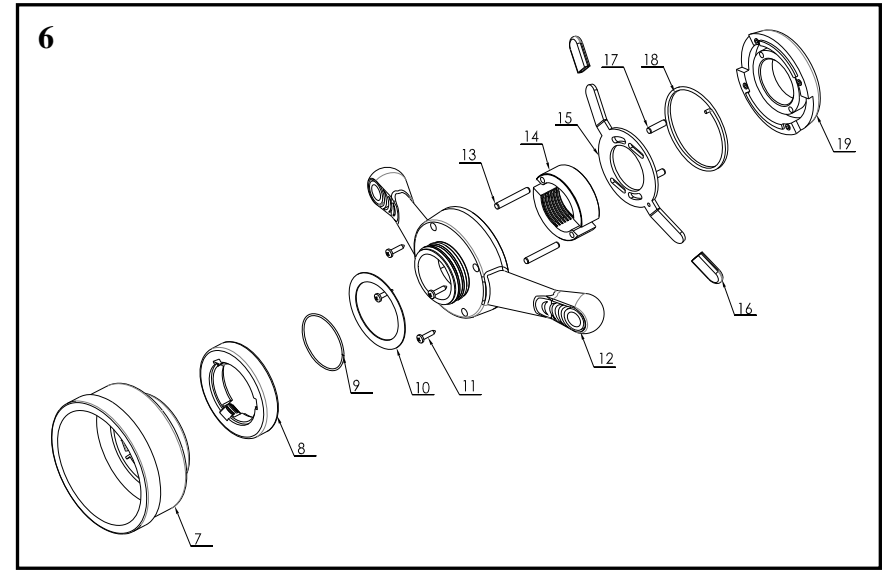
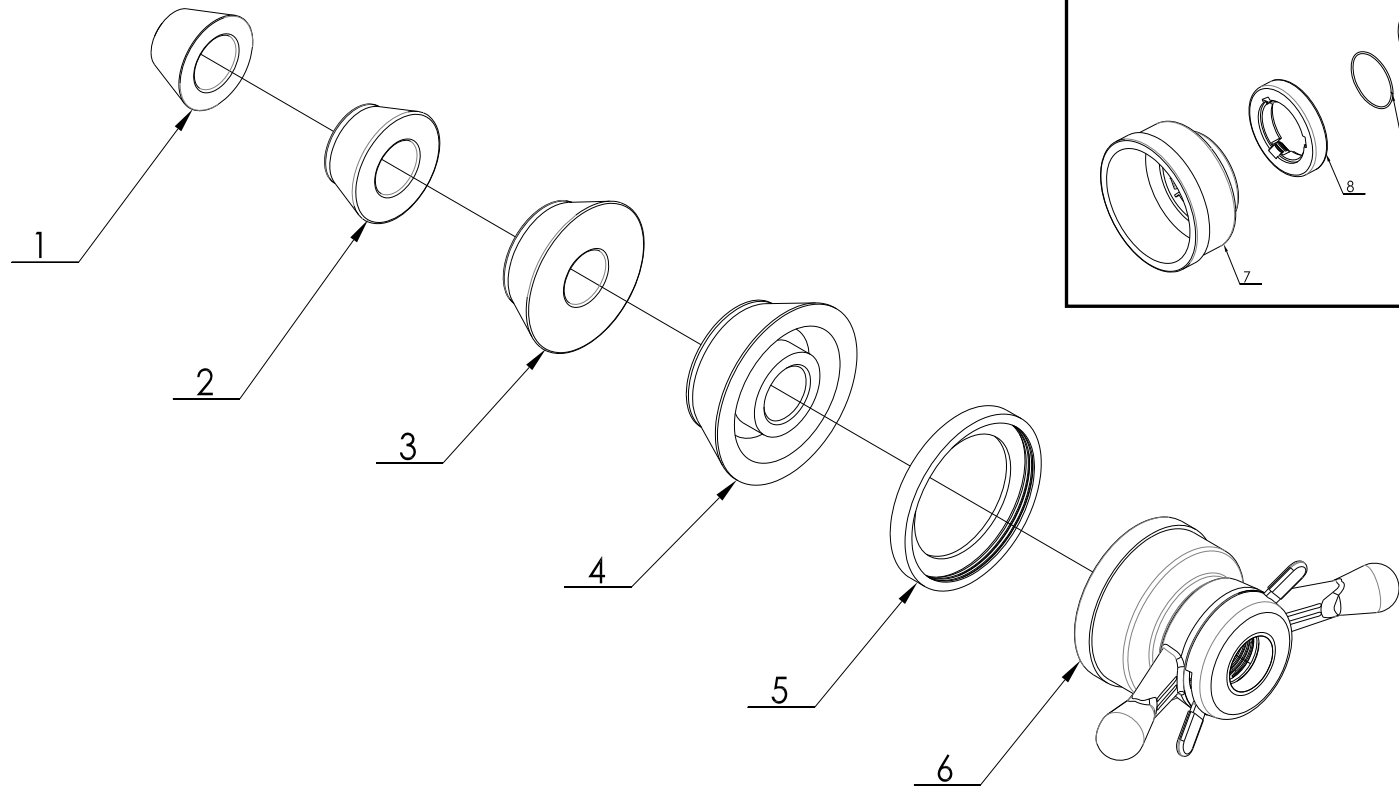


|          |                 |           |
|----------|-----------------|-----------|
| TAV.66.0 | BALANCING SHAFT | ED. 05/12 |
|----------|-----------------|-----------|

| ITEM | PART NO.  | DESCRIPTION                | QTY | REMARK |
|------|-----------|----------------------------|-----|--------|
| 1    | P1-11100  | Shaft support              | 1   |        |
| 2    | P1-11001  | Balancing shaft            | 1   |        |
| 3    | P1-10010  | Balancing wheel            | 1   |        |
| 4    | 0214001   | Bearing 6005 - GB276       | 1   |        |
| 5    | 0214002   | Bearing 6006 - GB276       | 1   |        |
| 6    | P1-11002  | Encoder phase disk         | 1   |        |
| 7    | 0202008   | Screw M4X8 - GB/T70.1      | 4   |        |
| 8    | 0205002   | Washer D.4 - GB/T97.1      | 6   |        |
| 9    | P1-10021  | Thread end piece           | 1   |        |
| 10   | 0212021   | Seeger D.30 - GB/T894.2    | 1   |        |
| 11   | 0212004   | Seeger D.25 - GB/T894.2    | 1   |        |
| 12   | 0202064   | Screw M10X160 - GB/T70.1   | 1   |        |
| 13   | 0202001   | Screw M4X20 - GB/T70.1     | 1   |        |
| 14   | 0211006   | Seeger D.55 - GB/T893.2    | 1   |        |
| 15   | P1-11014  | Bush                       | 1   |        |
| 16   | P1-11015  | Bush                       | 1   |        |
| 17   | 0202028   | Screw M6X45 - GB/T70.1     | 6   |        |
| 18   | 0208005   | Spring washer D.6 - GB/T93 | 6   |        |
| 19   | 0205006   | Washer D.6 - GB/T97.1      | 6   |        |
| 20a  | 0509008   | Motor 220V/50Hz 0.18KW     | 1   |        |
| 20b  | 0509022   | Motor 220V/60Hz 0.18KW     | 1   |        |
| 20c  | 0509082   | Motor 230V/50Hz 0.18KW     | 1   |        |
| 20d  | 0509083   | Motor 110V/60Hz 0.18KW     | 1   |        |
| 21   | 0201115   | Screw M5X20 - GB/T5781     | 4   |        |
| 22   | 0205005   | Washer D.5 - GB/T96        | 4   |        |
| 23   | 0208003   | Spring washer D.5 - GB/T93 | 4   |        |
| 24   | P1-11003Y | Drive pulley               | 1   |        |

|          |                 |           |
|----------|-----------------|-----------|
| TAV.66.0 | BALANCING SHAFT | ED. 05/12 |
|----------|-----------------|-----------|

|    |           |                            |   |
|----|-----------|----------------------------|---|
| 25 | 0511049   | Drive belt                 | 1 |
| 26 | P1-11004  | Special screw M10X60       | 2 |
| 27 | 0203009   | Nut M10 - GB/6170          | 2 |
| 28 | P1-11007Y | Pulley cap                 | 1 |
| 29 | 0208002   | Spring washer D.4 - GB/T93 | 1 |
| 30 | P1-11200  | Piezo sensor               | 2 |
| 31 | 0215038   | Steel ball D.8             | 4 |
| 32 | 0209002   | Screw M6X10 - GB/T80       | 3 |
| 33 | P1-11010  | Captured spring            | 1 |
| 34 | P1-11011  | Cover                      | 1 |
| 35 | P1-11012  | Spring                     | 1 |
| 36 | P1-11013  | Fastening plate            | 1 |
| 37 | 0206026   | Screw M5X16 - GB/818       | 2 |
| 38 | 0205004   | Washer D.5 - GB/T97.1      | 3 |
| 39 | 0206023   | Screw M4X8 - GB/818        | 1 |
| 40 | P1-11005  | Encoder support            | 1 |
| 41 | 0507085   | Phase encoder              | 1 |



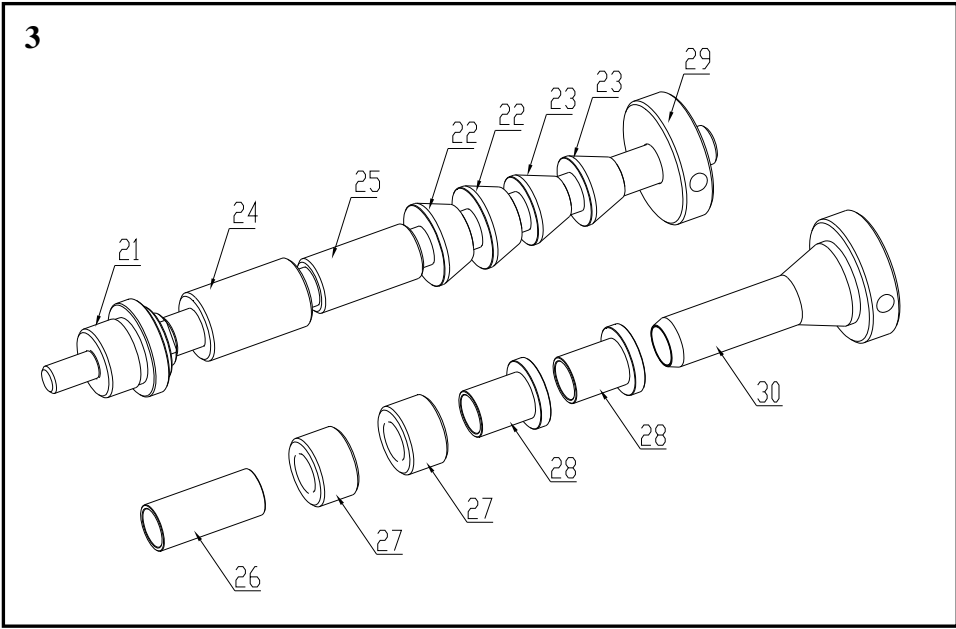
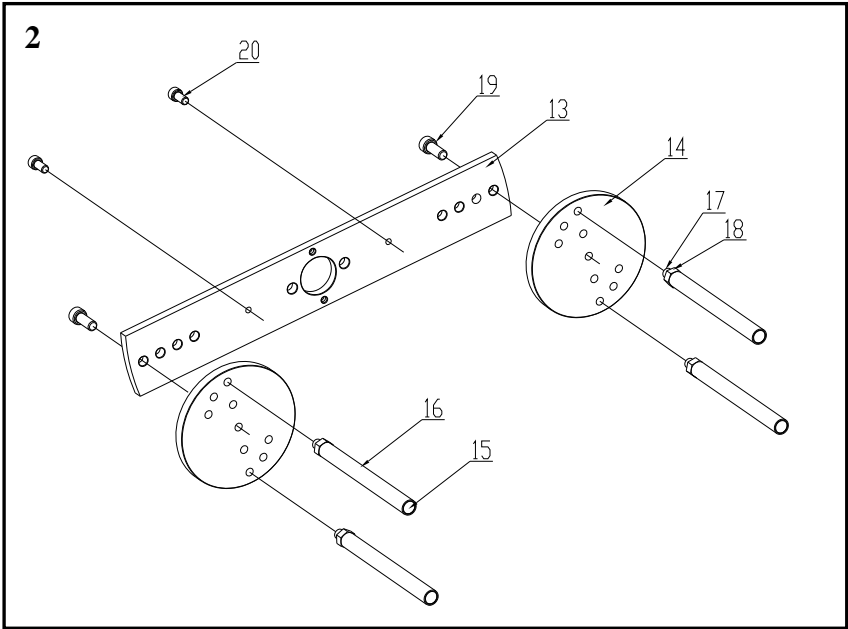
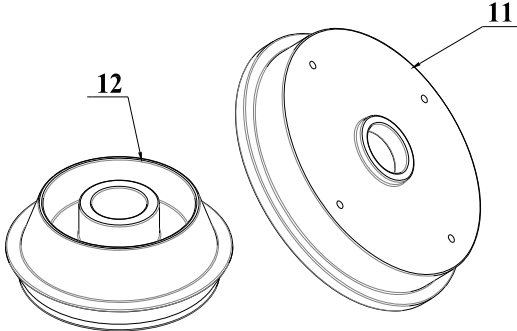
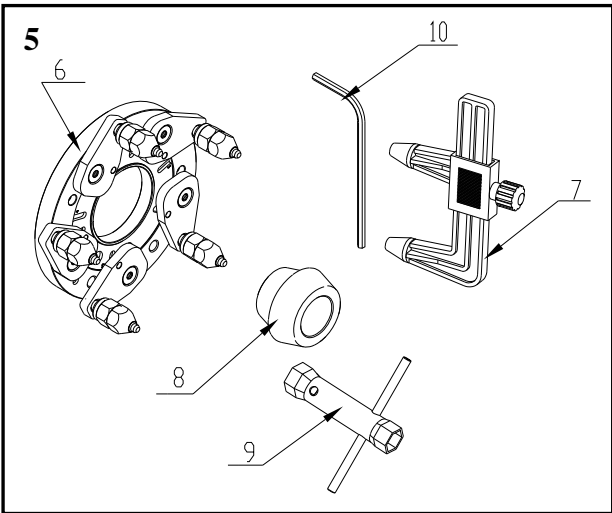
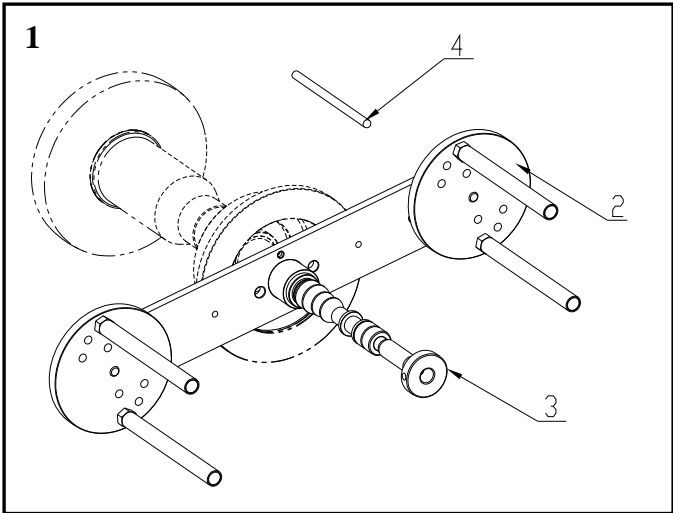
## STANDARD ACCESSORIES

ED. 05/12

| ITEM | PART NO.  | DESCRIPTION                 | QTY | REMARK |
|------|-----------|-----------------------------|-----|--------|
| 1    | P1-12001W | Cone 44-70                  | 1   |        |
| 2    | P1-12002W | Cone 59-82                  | 1   |        |
| 3    | P1-12003W | Cone 78-111                 | 1   |        |
| 4    | P1-12004W | Cone 85-132                 | 1   |        |
| 5    | P1-50001  | Rubber cap                  | 1   |        |
| 6    | P1-50000  | Quick nut kit TR40X3        | 1   |        |
| 7    | P1-50005  | Clamping hood               | 1   |        |
| 8    | P1-50004  | Quick nut                   | 1   |        |
| 9    | P1-50008  | Spring                      | 1   |        |
| 10   | P1-50009  | Washer                      | 1   |        |
| 11   | GB/T845   | Self-tapping screw ST3.5X16 | 4   |        |
| 12   | P1-50002  | Nut lever                   | 1   |        |
| 13   | GB/T119.2 | Elastic pin 5X35            | 2   |        |
| 14   | P1-50012  | Clamping nut                | 1   |        |
| 15   | P1-50006  | Clamping plate              | 1   |        |
| 16   | P1-50013  | Lever protection            | 2   |        |
| 17   | GB/T119.2 | Elastic pin 5X18            | 2   |        |
| 18   | P1-50007  | Returning spring            | 1   |        |
| 19   | P1-50003  | Nut flange                  | 1   |        |

OPTIONAL ACCESSORIES

ED. 05/12



**OPTIONAL ACCESSORIES**

**ED. 05/12**

| <b>ITEM</b> | <b>PART NO.</b> | <b>DESCRIPTION</b>       | <b>QTY</b> | <b>REMARK</b> |
|-------------|-----------------|--------------------------|------------|---------------|
| 1           | PF-14101        | Motorcycle adaptor kit   | 1          |               |
| 2           | PF-811          | Spoke support            | 1          |               |
| 3           | PF-141          | Adaptor kit              | 1          |               |
| 4           | PF-100001       | Gauge extension          | 1          |               |
| 5           | PF-211          | Universal adaptor kit    | 1          |               |
| 6           | PF-211100       | Complete flange          | 1          |               |
| 7           | PF-211820       | Holes detector           | 1          |               |
| 8           | PF-211831       | Pre-centering cone       | 1          |               |
| 9           | PF-211810       | T-hexagonal wrench       | 1          |               |
| 10          | 0511090         | Hexagonal elbowed wrench | 1          |               |
| 11          | PF-221201       | Light truck spacer       | 1          |               |
| 12          | PF-221202       | Light truck cone         | 1          |               |
| 13          | PF-811101       | Support plate            | 1          |               |
| 14          | PF-811102       | Flange                   | 2          |               |
| 15          | PF-811201       | Pin                      | 4          |               |
| 16          | PF-811202       | Pin protection           | 4          |               |
| 17          | 0209045         | Screw M10X35 - GB/T77    | 4          |               |
| 18          | 0203009         | Nut M10 – GB/T6170       | 4          |               |
| 19          | 0202061         | Screw M10X25 – GB/T70.1  | 2          |               |
| 20          | 0202040         | Screw M8X16 – GB/T70.1   | 2          |               |
| 21          | PF-141101       | Balancing shaft          | 1          |               |
| 22          | PF-141201       | M/C cone 1               | 2          |               |
| 23          | PF-141202       | M/C cone 2               | 2          |               |
| 24          | PF-141301       | Spacer 1                 | 1          |               |
| 25          | PF-141302       | Spacer 2                 | 1          |               |
| 26          | PF-141303       | Spacer 3                 | 1          |               |
| 27          | PF-141304       | Spacer 4                 | 2          |               |

|  |                      |  |  |           |
|--|----------------------|--|--|-----------|
|  | OPTIONAL ACCESSORIES |  |  | ED. 05/12 |
|--|----------------------|--|--|-----------|

|    |           |             |   |
|----|-----------|-------------|---|
| 28 | PF-141305 | Spacer 5    | 2 |
| 29 | PF-141401 | Locking nut | 1 |
| 30 | PF-141402 | Spacer      | 1 |