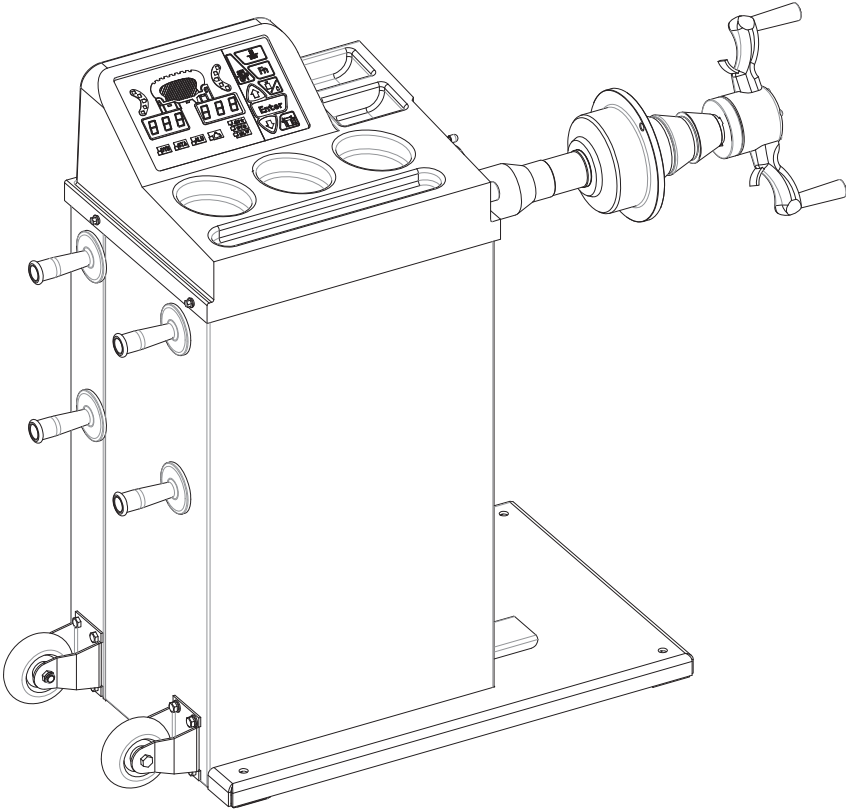
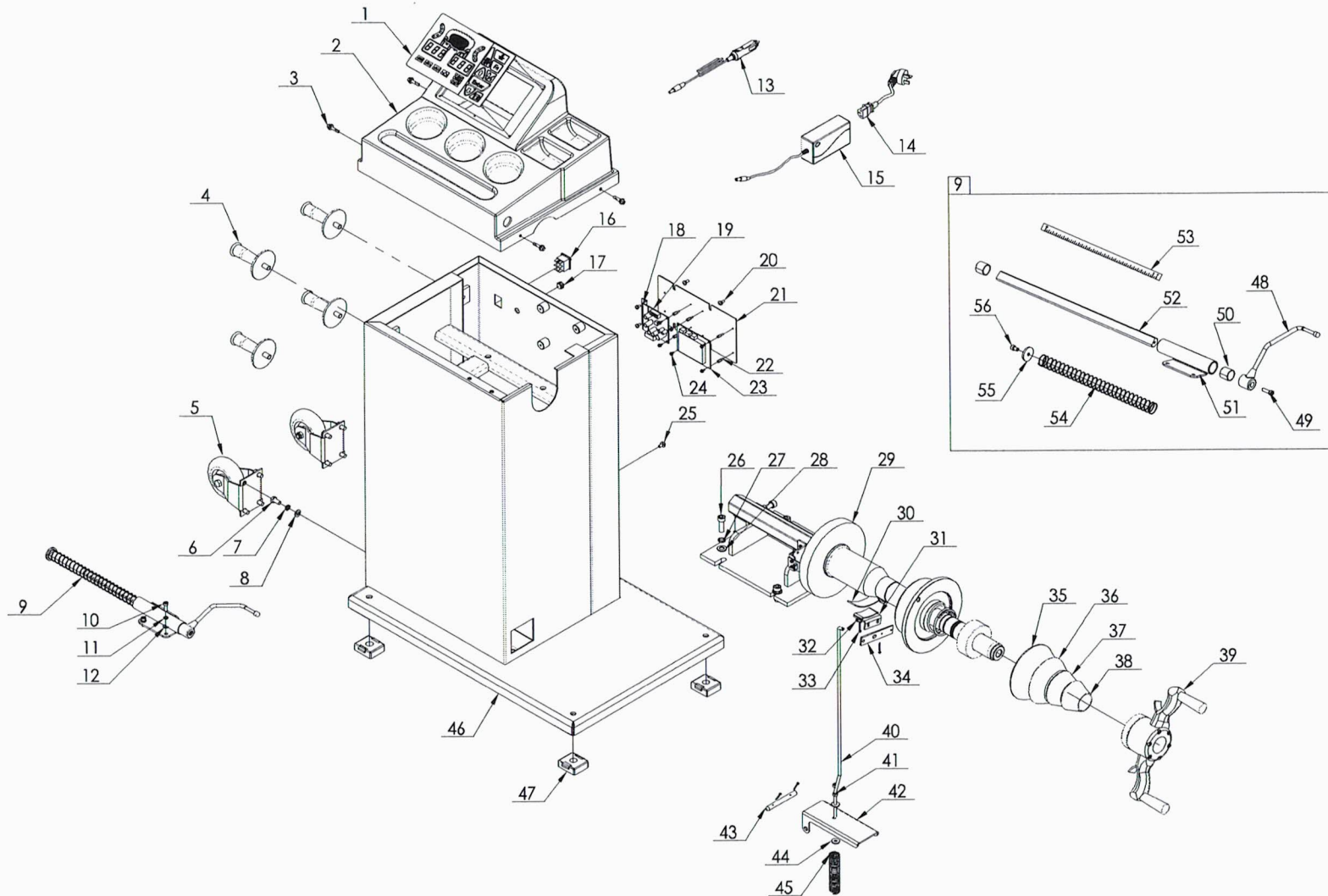




ED. 05/2017

PARTS CATALOG
WB-HS
HAND-SPIN
WHEEL BALANCER





TAV.0

GENERAL BREAKDOWN

ED. 05/17

ITEM	PART NO.	DESCRIPTION	QTY	REMARK
1	0507205/0507206	Control panel/Display board	1	
2	P10A000001	Weight tray	1	
3	0207057	Self-tapping screw 5.5x25	4	
4	P1-22001	Cone holder	4	
5	0511162	Caster 100	2	
6	0201026	Screw M8X16 - GB/T5783	8	
7	0208006	Locking washer D.8 - GB/T93	8	
8	0205008	Washer D.8 - GB97.1	8	
9	P1-41000B	Distance gauge assembly	1	
10	0202032	Screw M6X16 - GB/T70.1	2	
11	0208005	Locking washer D.6 - GB/T93	2	
12	0205006	Washer D.6 - GB/T97.1	2	
13	0508024	DC power plug	1	
14	0506099	AC power plug	1	
15	0503098	AC/DC power adaptor	1	
16	0505007	Power switch	1	
17	0508338	DC socket	1	
18	P1-31182	Power board support	1	
19	0507207	DC power board	1	
20	0206058	Screw M5X10 - GB/T9074.4	4	
21	P10A000002	Electric board support	1	
22	0201149	Isolation pin	6	
23	0507208	Computer board	1	
24	0206054	Screw M3X8 - GB/T9074.4	6	
25	0206031	Screw M6X10 - GB/T818	1	
26	0202062	Screw M10X30 - GB/T70.1	4	
27	0208007	Locking washer D.10 - GB/T93	4	

TAV.0

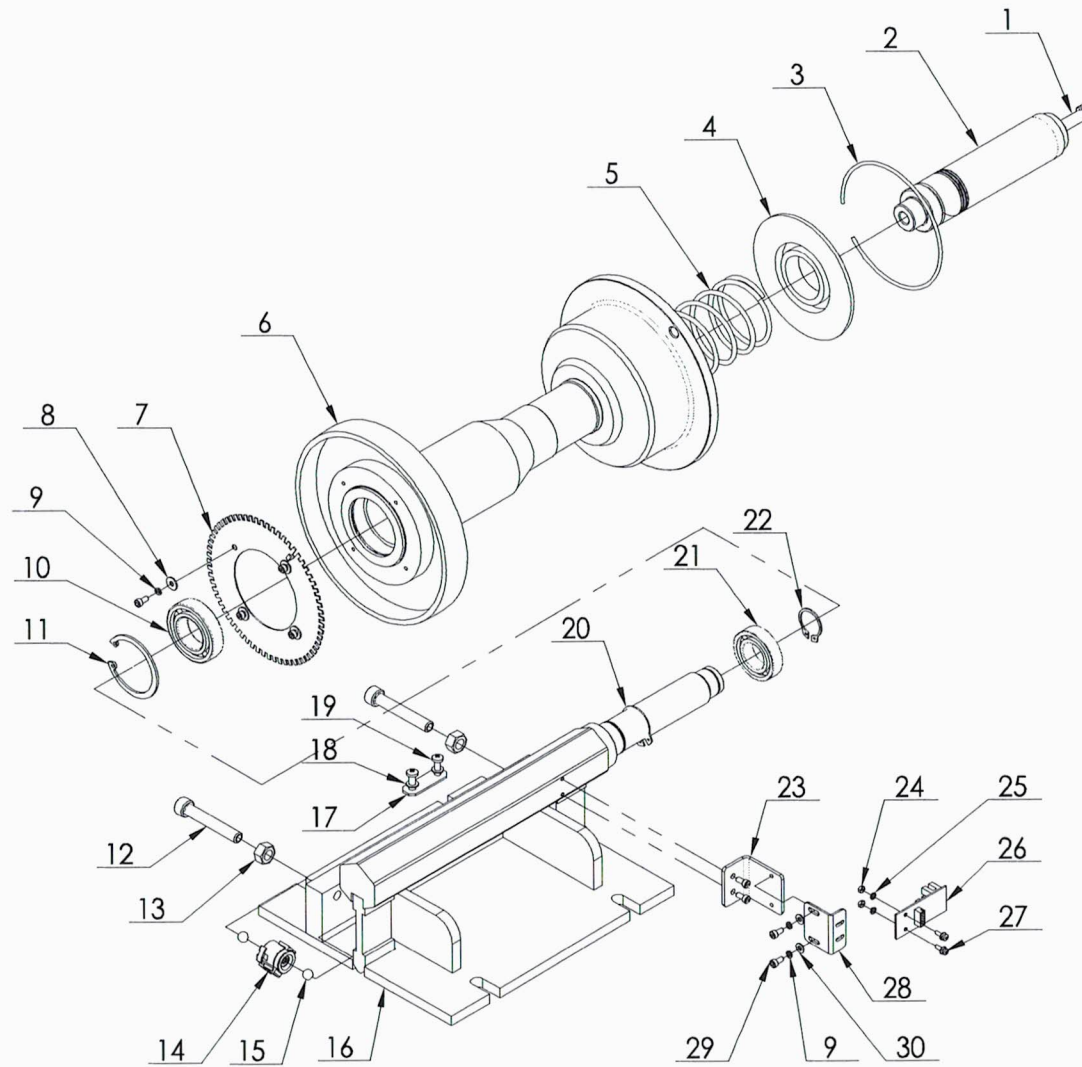
GENERAL BREAKDOWN

ED. 05/17

28	0205011	Washer D.10 - GB/T97.1	4
29	P10A300000	Balancing shaft assembly	1
30	P1-31305	Braking cloth	1
31	P1-31304	Brake	1
32	0201137	Screw M4X10 - GB/T9074.4	4
33	0213044	Elastic pin 2X20 - GB/T91	4
34	P1-31303	Lever	1
35	P1-12004W	Cone 95-132	1
36	P1-12003W	Cone 78-111	1
37	P1-12002W	Cone 59-82	1
38	P1-12001W	Cone 44-70	1
39	0511161	Handspin quick locking nut	1
40	P1-31307	Connection rod	1
41	0203004	Nut M6 - GB/T52	4
42	P1-31302	Brake pedal	1
43	P1-31301	Pin	1
44	0205007	Washer D.6 - GB/T96	2
45	P1-31306	Brake pedal spring	1
46	P10A100000	Casing	1
47	YC1-3002099	Plastic foot	4
48	P1-41200B	Gauge index	1
49	0202033	Screw M6X20 - GB/T70.1	1
50	0210002	Self-lubricated bush 2020	2
51	P1-41300	Gauge support	1
52	P1-41101B	Gauge rod	1
53	P1-41109	Scale decal	1
54	P1-41212B	Return spring	1

TAV.0	GENERAL BREAKDOWN	ED. 05/17
-------	-------------------	-----------

55	P1-41213B	Washer	1
56	0202030	Screw M6X10 - GB/T70.1	1



TAV.29.0

BALANCING SHAFT ASSEMBLY

ED. 05/17

ITEM	PART NO.	DESCRIPTION	QTY	REMARK
1	0202064	Screw M10X160 - GB/T70.1	1	
2	P1-10021	Threaded end piece	1	
3	P1-11012	Spring	1	
4	P1-11011	Spring cover	1	
5	P1-11010	Captured spring	1	
6	P1-10010	Balancing wheel	1	
7	P1-11002	Encoder phase disk	1	
8	0205003	Washer D.4 - GB/T96	4	
9	0208002	Locking washer D.4 - GB/T93	6	
10	0214002	Bearing 6006	1	
11	0211006	Seeger D.55	1	
12	P1-11004	Special screw	2	
13	0203011	Nut M10 - GB/T6170	2	
14	P1-11300	Piezo sensor	2	
15	0215068	Steel ball D.9 - GB/T308	4	
16	P10A310000	Balancing shaft unit	1	
17	P1-11013	Fastening plate	1	
18	0205004	Washer D.5 - GB/T97.1	2	
19	0206026	Screw M5X16 - GB/T818	2	
20	0212021	Seeger D.30 - GB/T894.1	1	
21	0214001	Bearing 6005	1	
22	0212004	Seeger D.25 - GB/T894.1	1	
23	P10A300001	Support	1	
24	0203001	Nut M3 - GB/T52	2	
25	0205001	Washer D.3 - GB/T97.1	2	
26	0507085	Encoder	1	
27	0201136	Screw M3X10 - GB/T9074.4	2	

TAV.29.0	BALANCING SHAFT ASSEMBLY	ED. 05/17
----------	--------------------------	-----------

28	P1-11005	Encoder support	1
29	0202008	Screw M4X8 - GB/T70.1	8
30	0205002	Washer D.4 - GB/T97.1	2