

83"  
(6' 11")  
Column  
Height  
Including  
Adjustment  
Nut and  
Threaded  
Rod  
(+/- 2"  
Depending  
On Thread  
Adjustment  
And Floor  
Pitch)

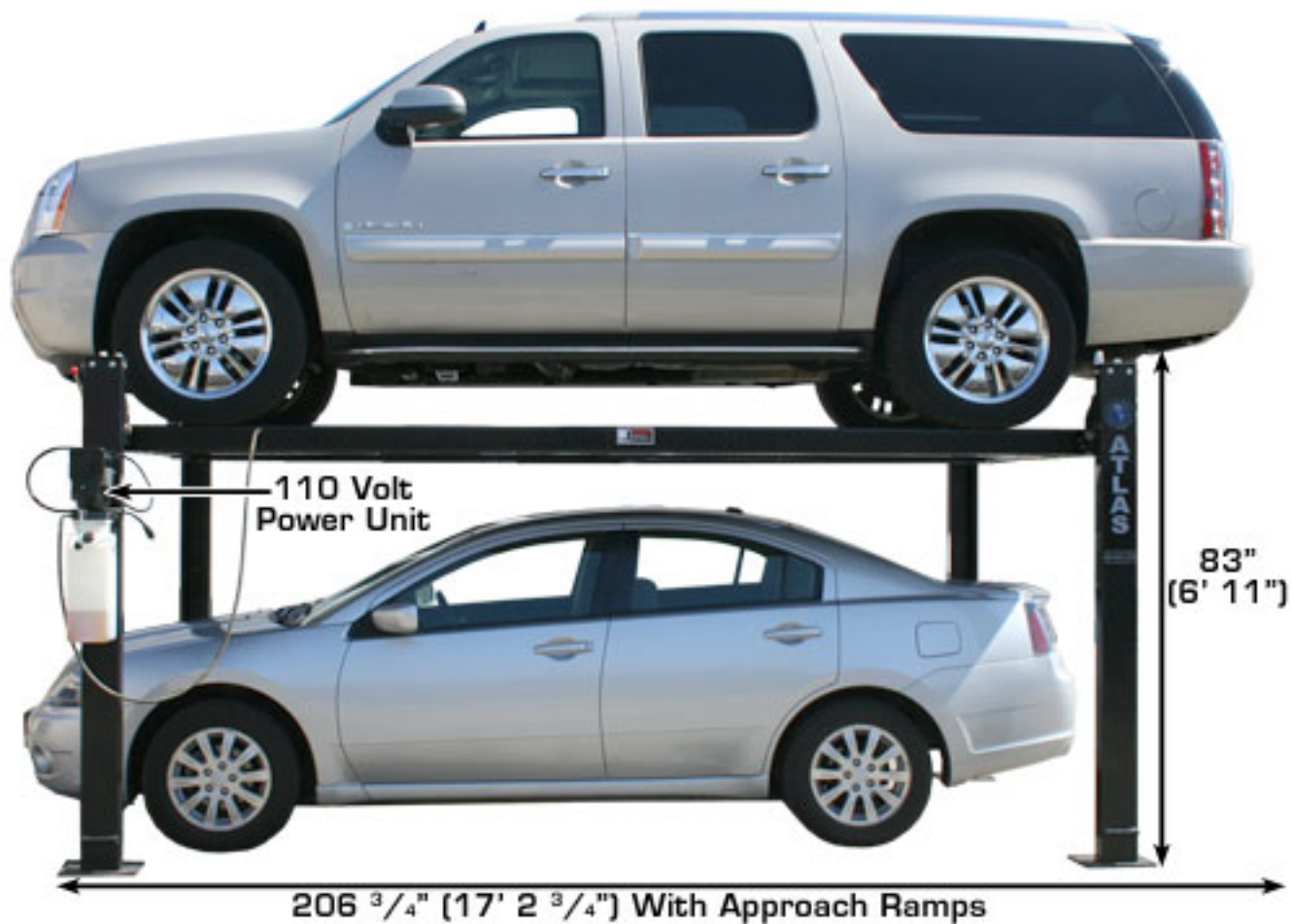
67 1/2"  
(5' 7 1/2")  
Below  
Runway

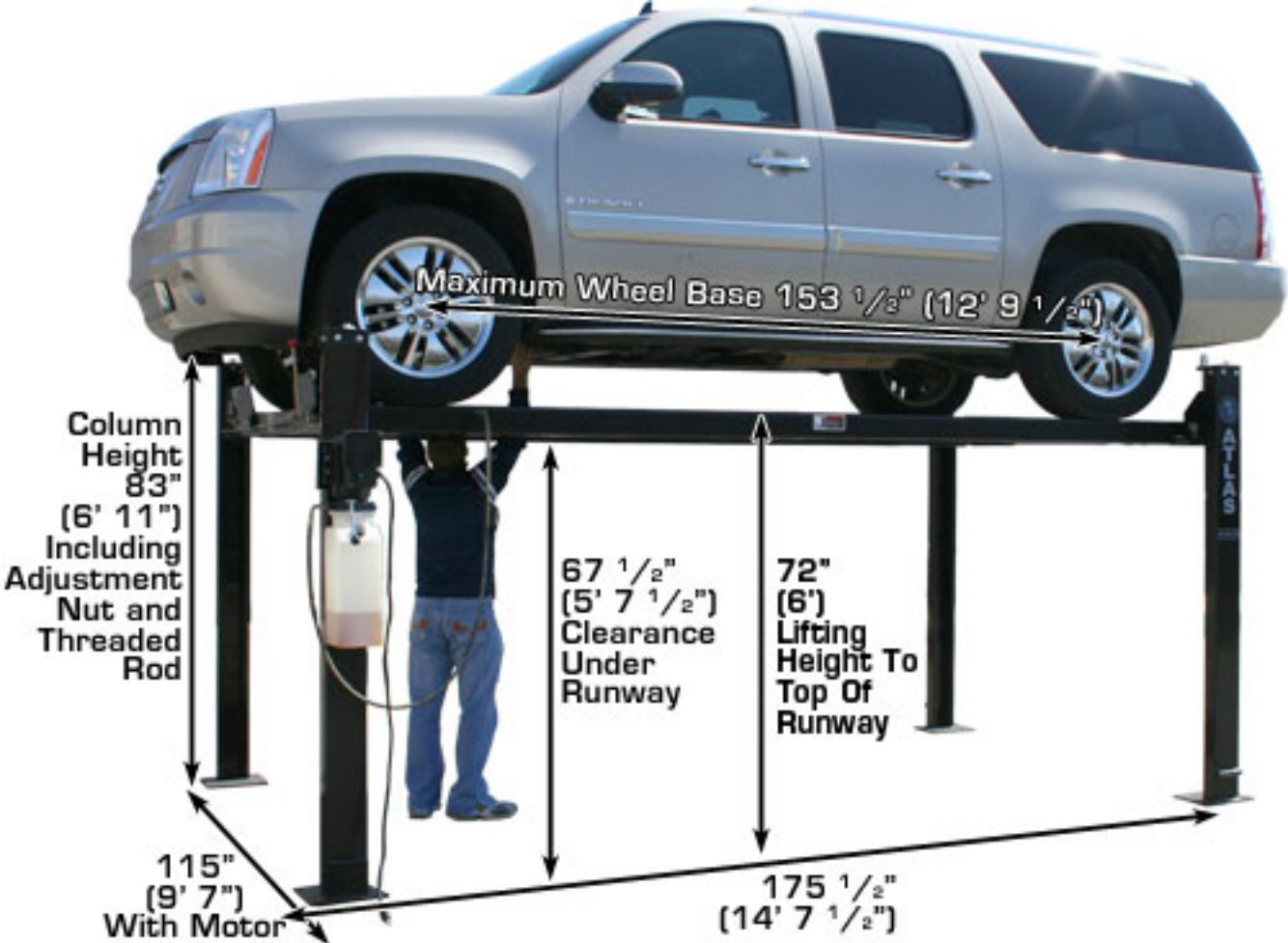
72"  
(6')  
To Top  
of Runway

104 3/8" (8' 8 3/8")



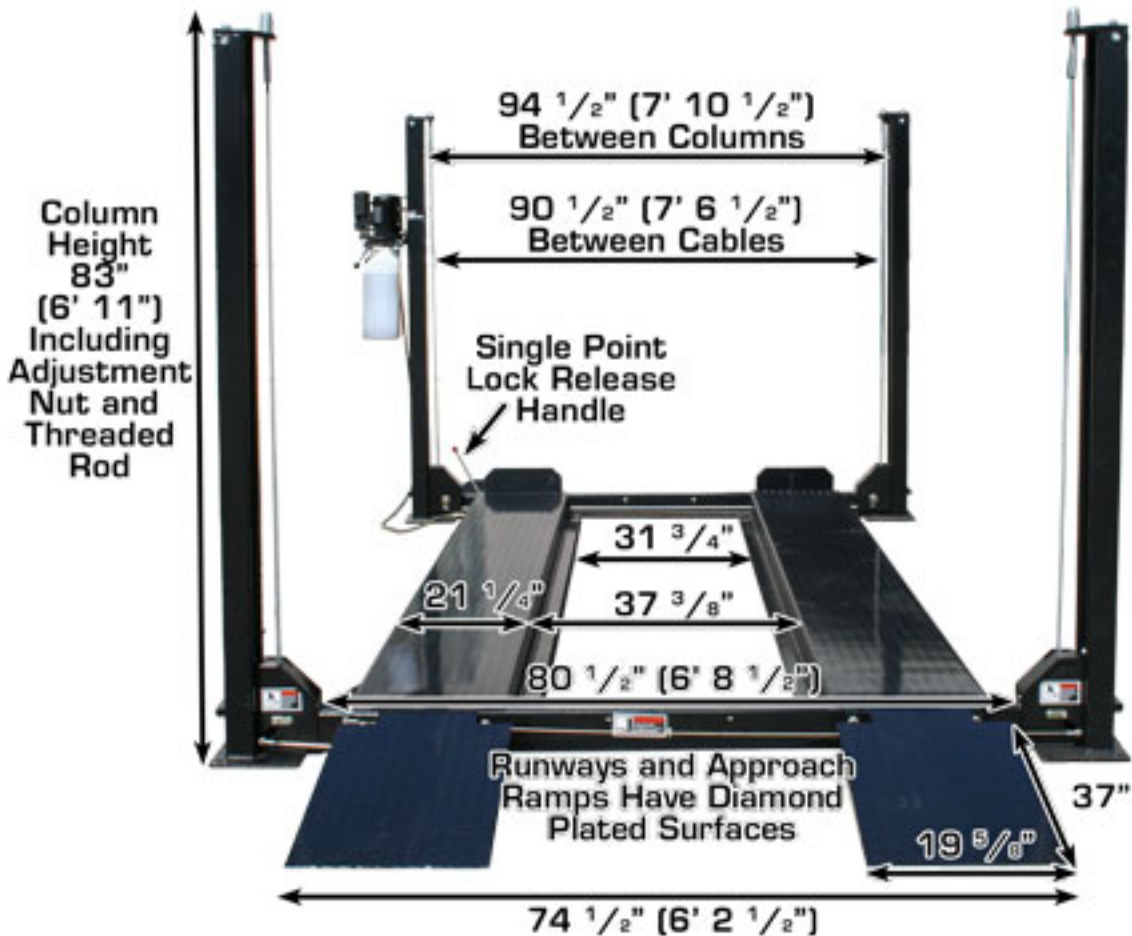


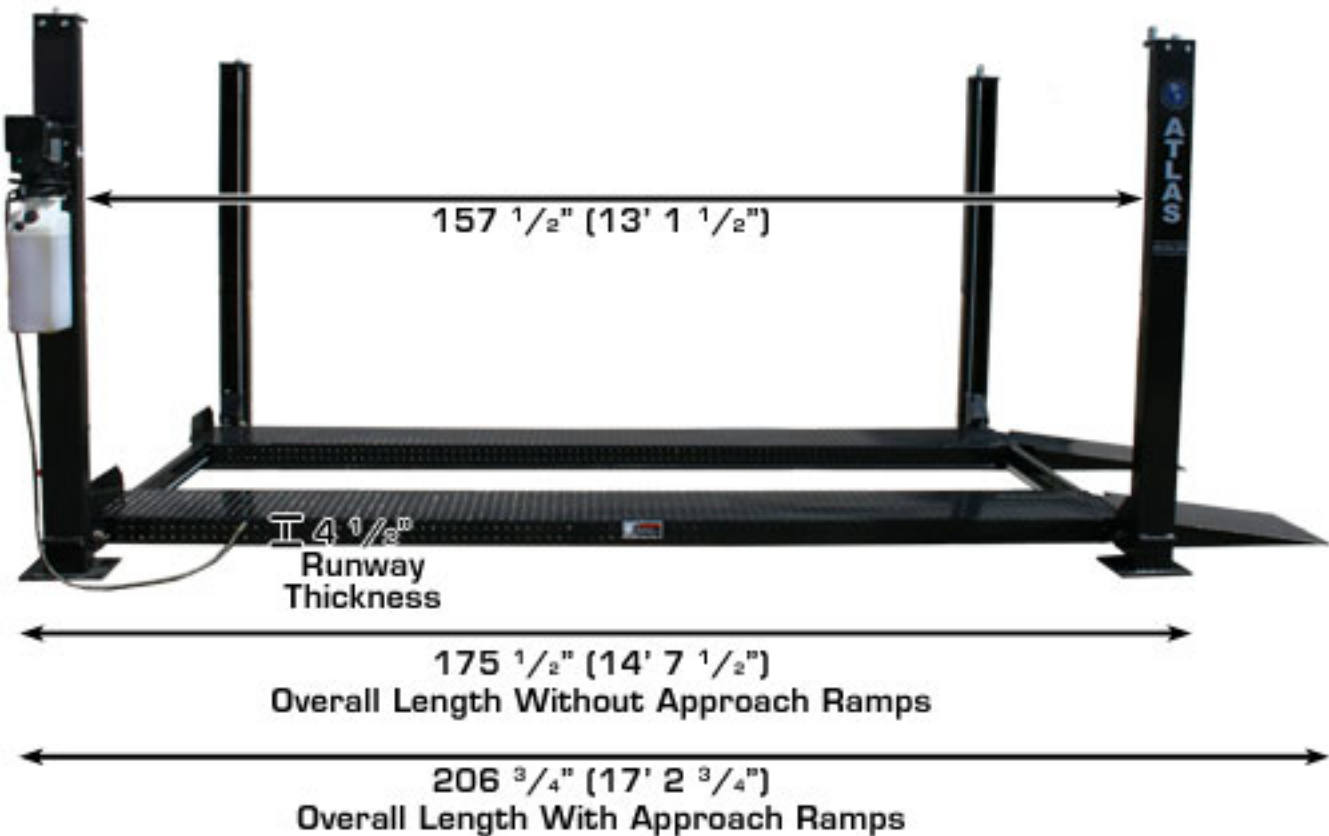


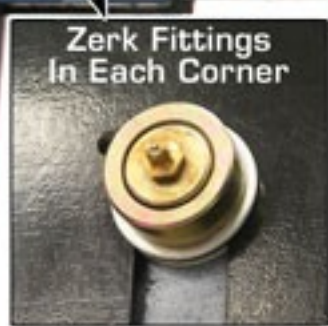












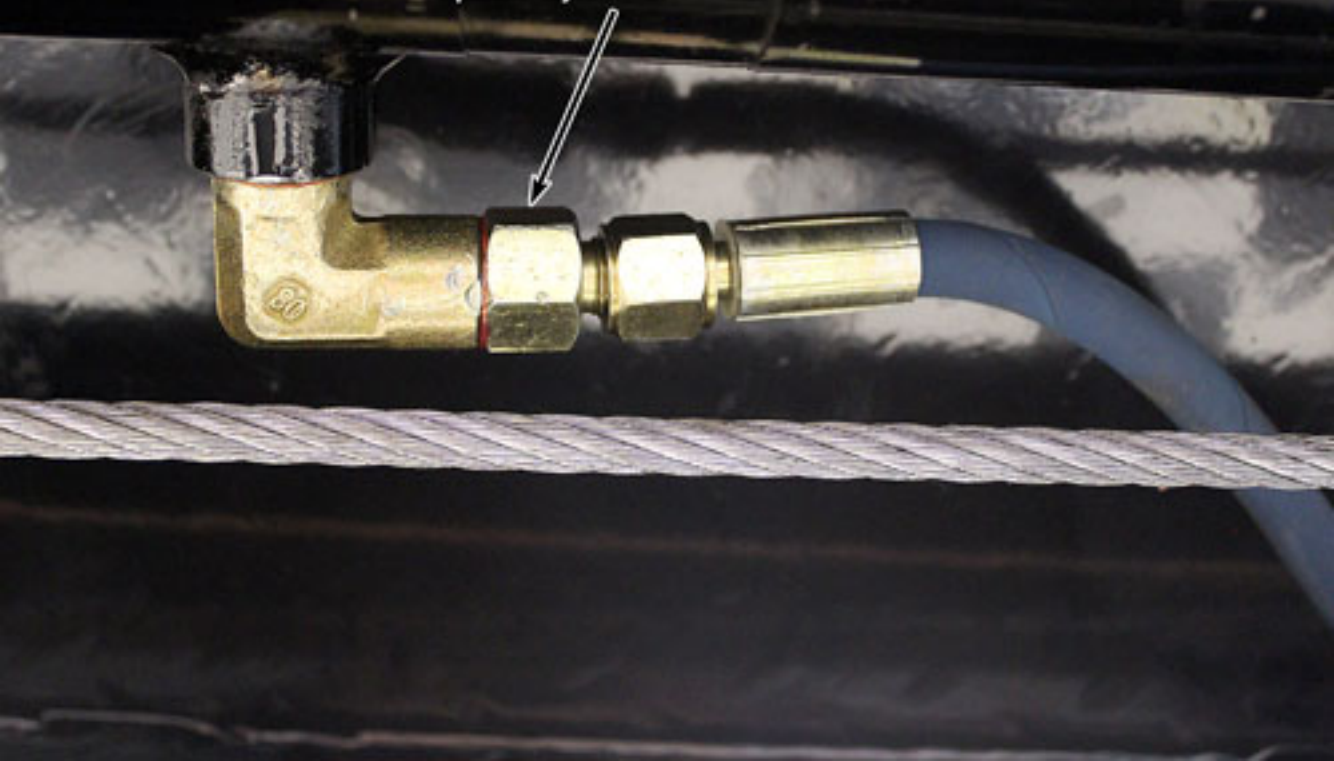
Zerk Fittings  
In Each Corner

3 1/4"  
Diameter  
Cylinder

5 7/8"  
Steel Pulley

### Cylinder Flow Restrictor Valve -

This valve automatically decreases the lowering speed in case of a burst hydraulic line. Of course, the locks will automatically engage at the next lower lock position. However, we added this valve to decrease the lowering speed by 50%.



Power Switch

110 Volt Motor

Hydraulic  
Dump Valve

Pump

Hydraulic  
Fluid Reservoir

110 Volt  
Power Cord

Metal Braided  
Hydraulic Hose

Motor May Vary from Picture Shown







PH 1 CODE N VOLT 110

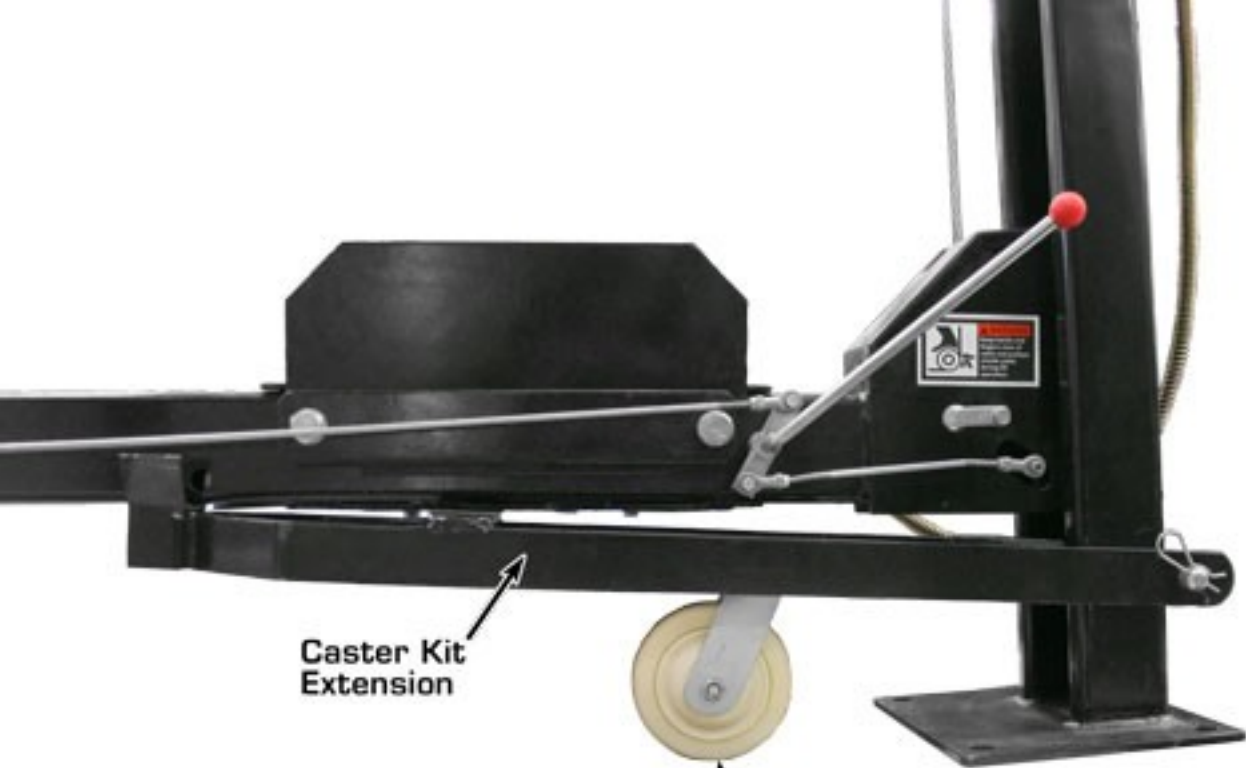
MAX AMB 40 THERMAL PROTECT

MFG P'N

DUTY 5MINUTE HZ 60 PRM 3450 HP 1.0

FR 56 AMP 15

**WARNING** MOTOR MUST BE GROUNDED IN ACCORDANG  
WITH LOCAL AND MATIONAL ELECTRICAL CODES TO PREVENT  
SERIOUS ELECTRICAL SHOCKS.

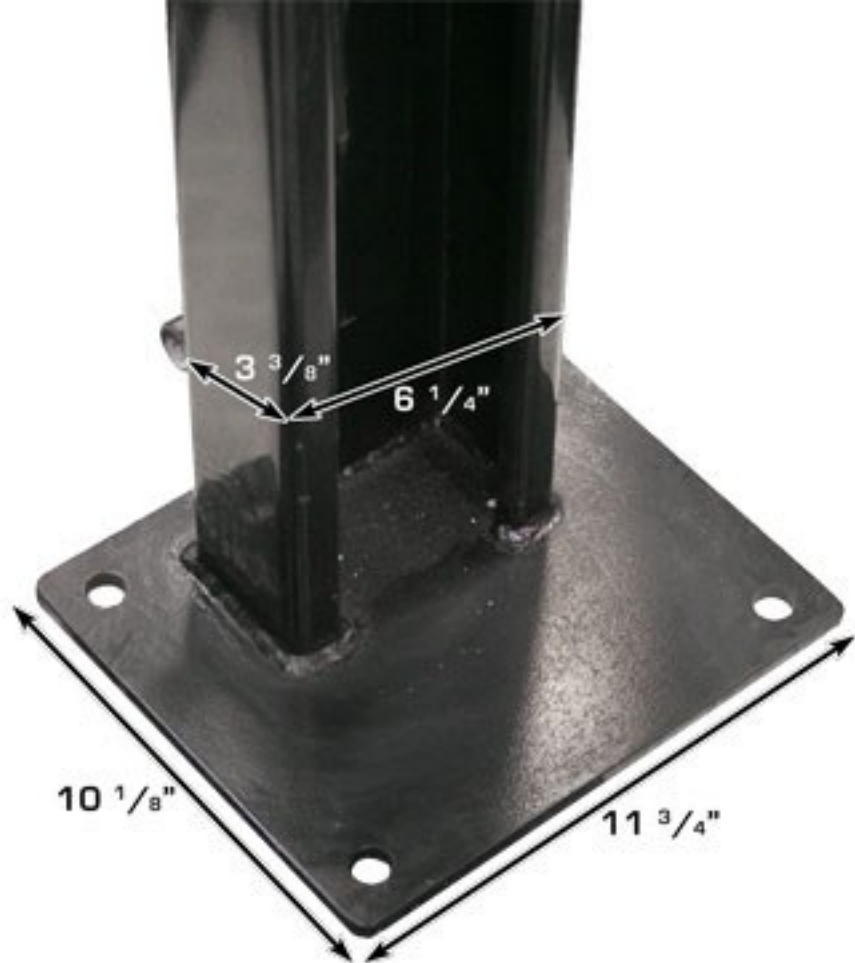


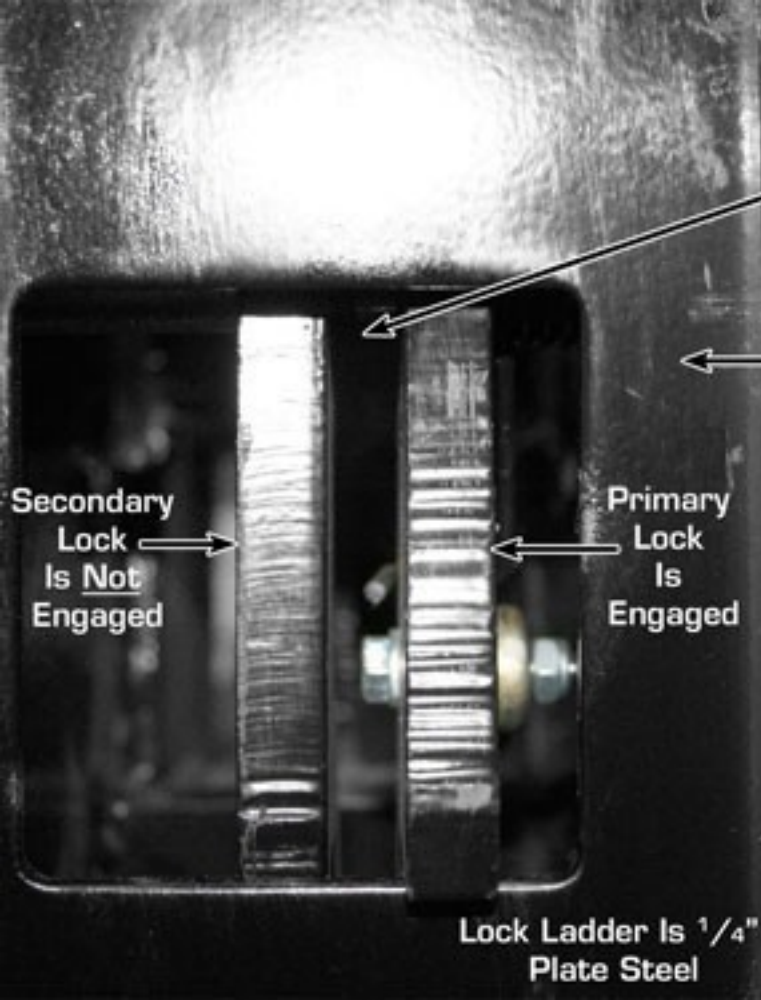
Caster Kit Extension

Polyurethane Wheels

Caster Kit is Removable

Weight Of Runways On Caster Kit Extensions Will Lift All Four Columns (Less Than 1") Off The Floor. The Lift Will Then Roll Easily On The Four Poly Casters.





Lock Windows  
Are 3" Tall  
and 2 <sup>3</sup>/<sub>4</sub>" Wide.

Lock Ladder Has  
12 Lock Positions.  
Lock Positions  
Are Adjustable  
Up To 6".

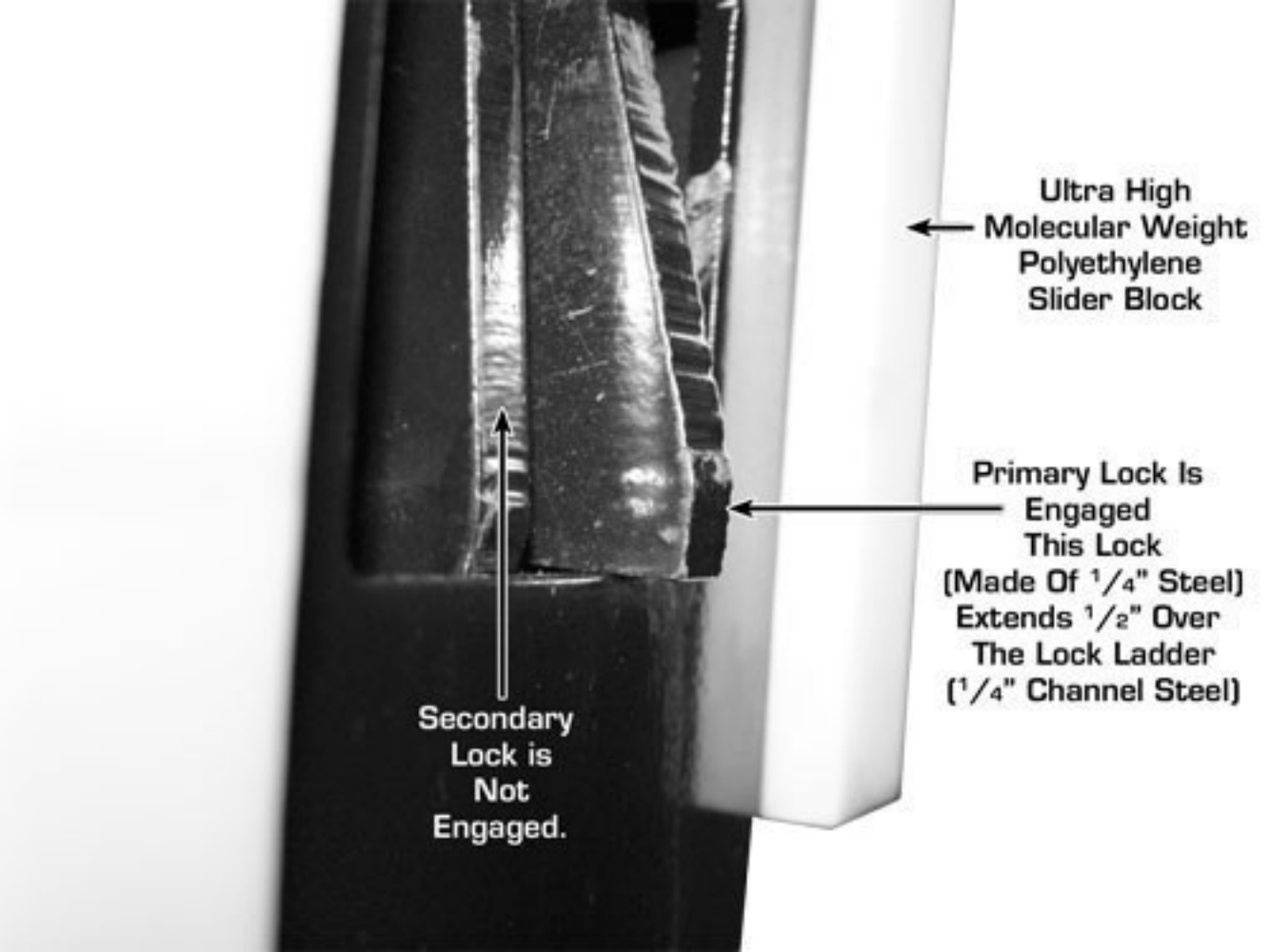
Secondary  
Lock  
Is Not  
Engaged

Primary  
Lock  
Is  
Engaged

Ultra High  
Molecular Weight  
Polyethylene  
Slider Block

Lock Ladder Is <sup>1</sup>/<sub>4</sub>"  
Plate Steel





Ultra High  
Molecular Weight  
Polyethylene  
Slider Block

This image shows a close-up of a mechanical lock assembly. On the right, a white, rectangular slider block is visible. An arrow points from the text label to this block. In the center, a dark, cylindrical component, the primary lock, is engaged with a serrated metal ladder. An arrow points from the text label to this lock. On the left, a dark metal channel is visible, with an arrow pointing to it from the text label. The overall assembly is shown in a cross-sectional view.

Primary Lock Is  
Engaged  
This Lock  
(Made Of  $\frac{1}{4}$ " Steel)  
Extends  $\frac{1}{2}$ " Over  
The Lock Ladder  
( $\frac{1}{4}$ " Channel Steel)

Secondary  
Lock is  
Not  
Engaged.



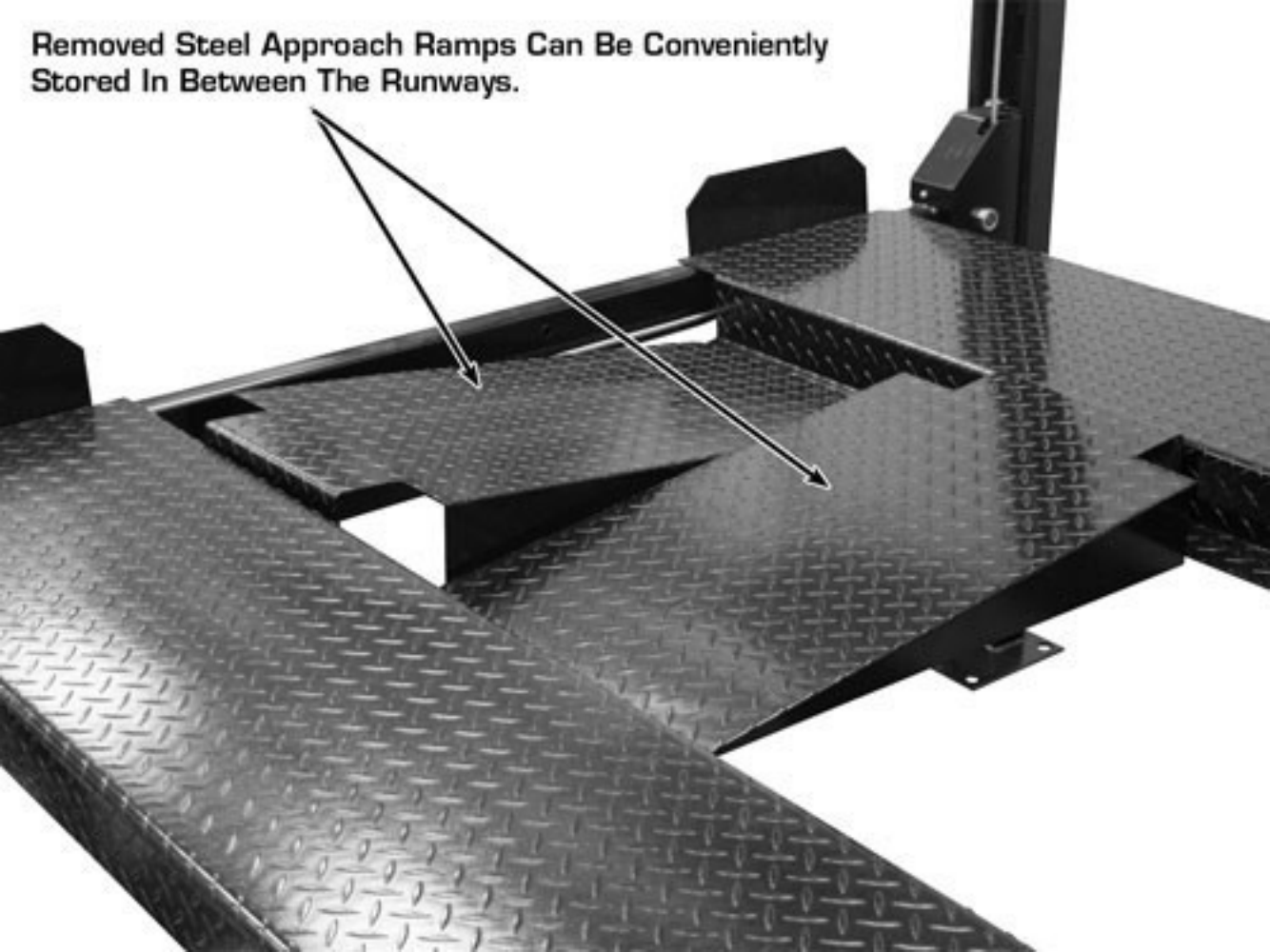
**Approach Ramps  
Are Included**

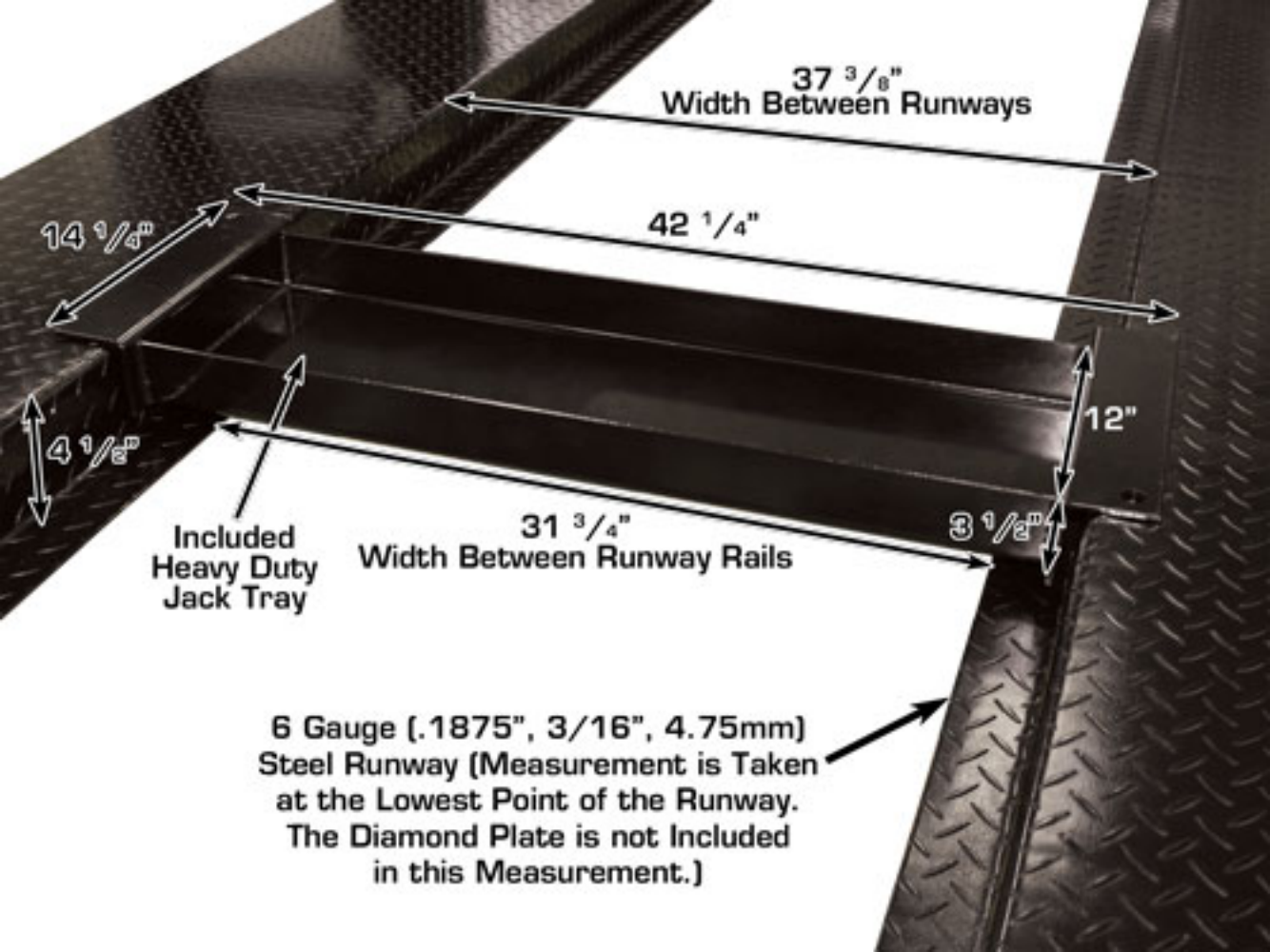
**Each Steel Approach Ramp  
Weighs 46 lbs.**



**The Included Steel Approach Ramps Can Be Easily Removed By Raising The Lift To Waist Height, Then Lifting The Ramps Out.**

**Removed Steel Approach Ramps Can Be Conveniently  
Stored In Between The Runways.**





**37 <sup>3</sup>/<sub>8</sub>"**  
Width Between Runways

**42 <sup>1</sup>/<sub>4</sub>"**

**14 <sup>1</sup>/<sub>4</sub>"**

**4 <sup>1</sup>/<sub>2</sub>"**

**12"**

Included  
Heavy Duty  
Jack Tray

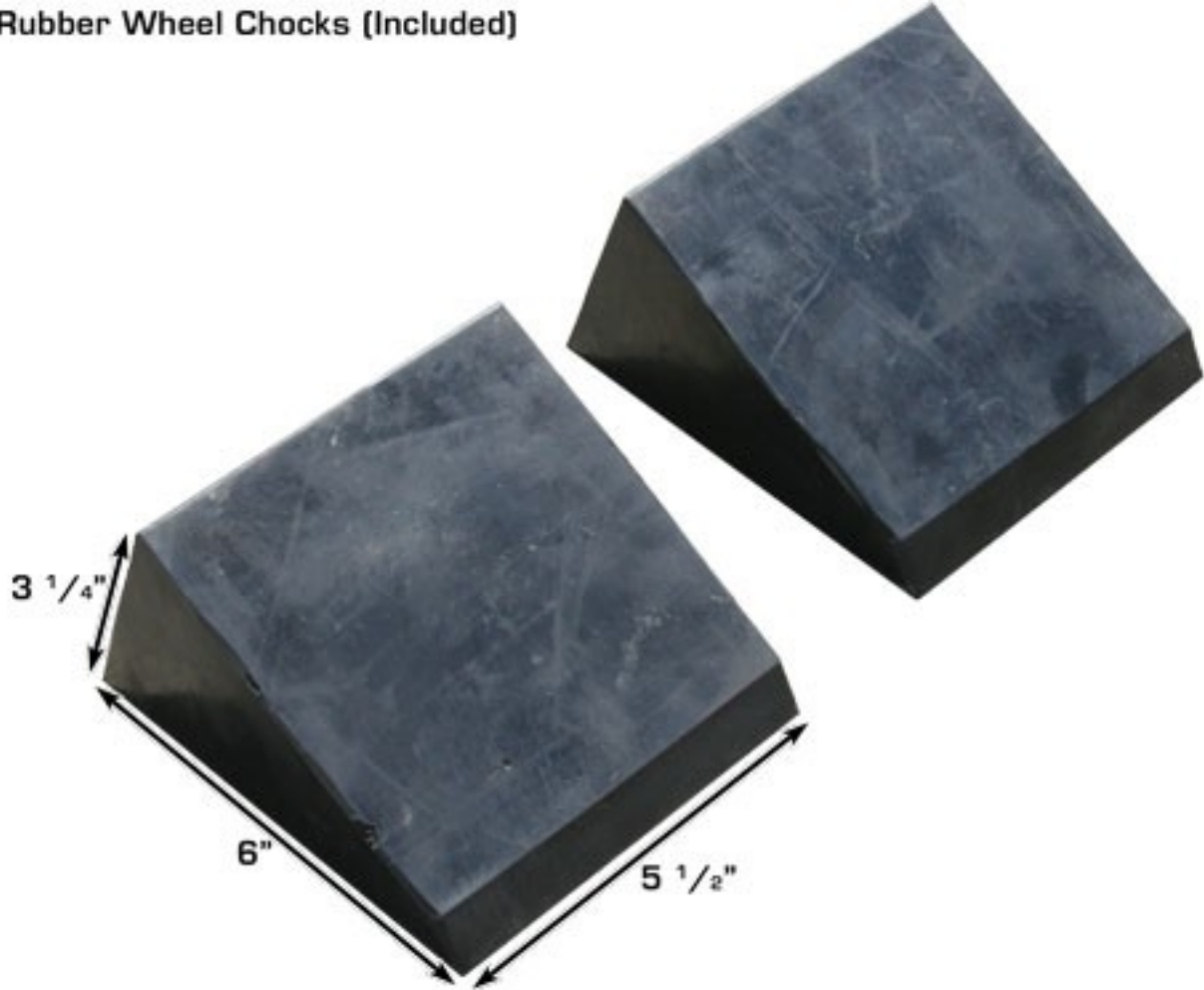
**31 <sup>3</sup>/<sub>4</sub>"**  
Width Between Runway Rails

**3 <sup>1</sup>/<sub>2</sub>"**


**6 Gauge (.1875", 3/16", 4.75mm)**  
Steel Runway (Measurement is Taken  
at the Lowest Point of the Runway.  
The Diamond Plate is not Included  
in this Measurement.)



## Rubber Wheel Chocks (Included)



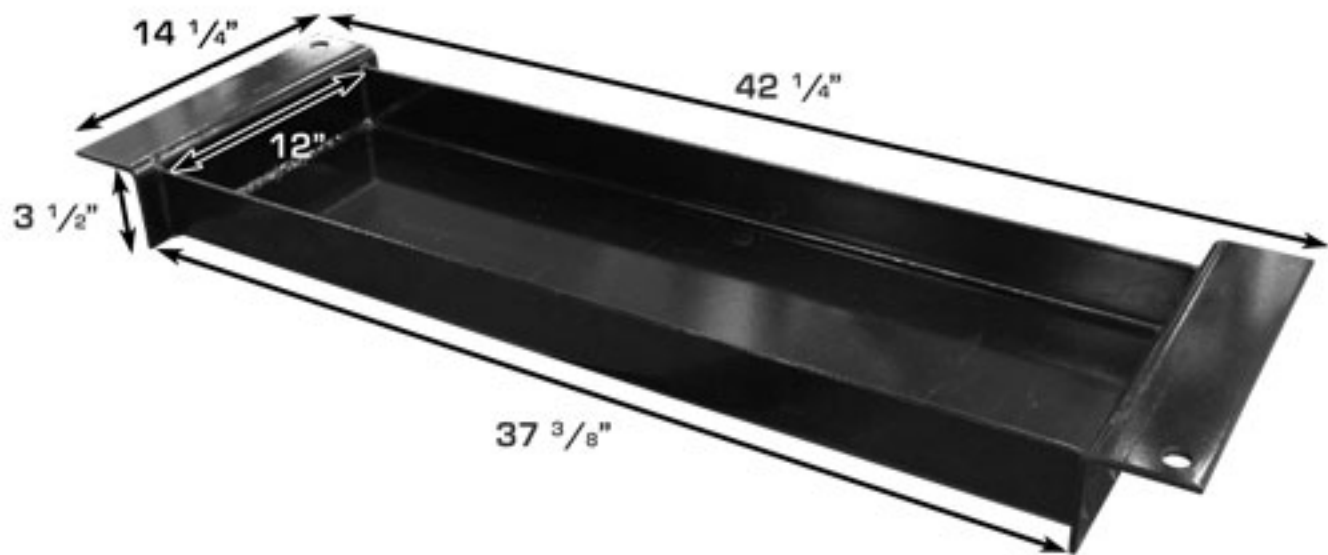
Includes Four Drip Trays

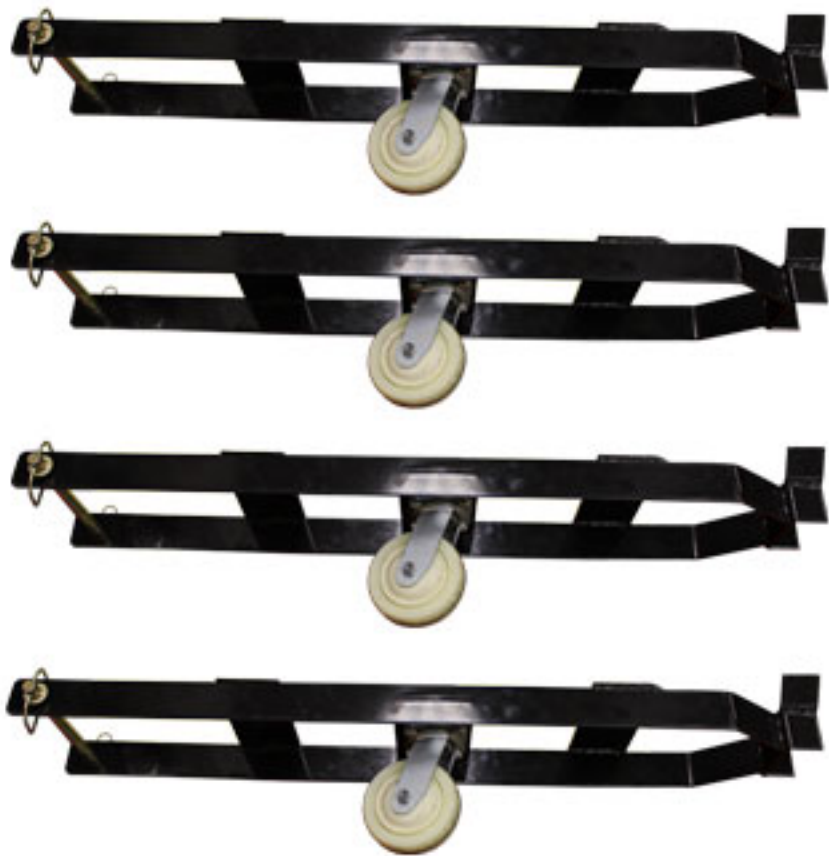


23 1/2"

37"

# Included Heavy Duty Jack Tray





**Included Caster Kit With Polyurethane Wheels**

Atlas Garage Pro 8,000 Four Post Lift  
Ready To Ship Or Be Picked Up

This Lift Can be Lifted  
From The End or in  
The Middle With a  
Fork Truck.



Shipping Weight: 1720 lbs

All 4-Post Lifts (Except for The 14K)  
Shipping Dimensions are Similar to the  
Atlas Garage Pro 8,000 Shown Here. (The  
14K is 17' 7" Long and 22 $\frac{1}{2}$ " Wide and  
40" Tall) Shipping Weights Vary from Lift to Lift